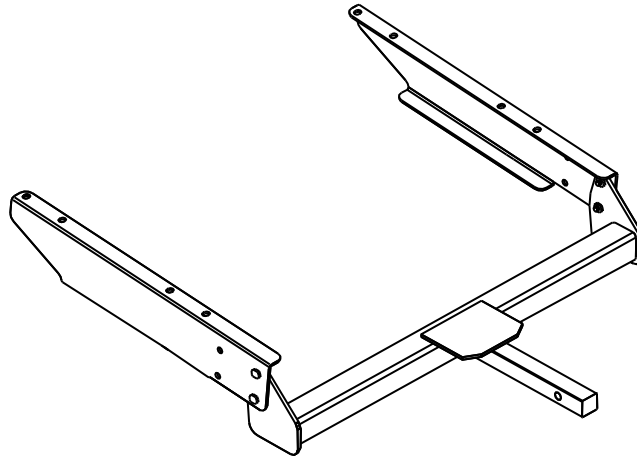


Please read all instructions carefully before assembly, installation and/or use of this product.

**1**

**TOOLS REQUIRED**

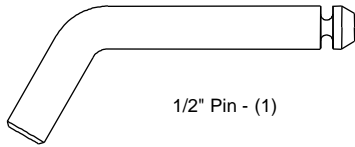
- 3/16" Allen Wrench
- 7/32" Allen Wrench
- 1/2" Wrench
- 9/16" Wrench



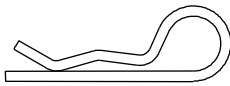
**Main Support Assembly**

**Parts List:**

- (1) Main Support
- (2) Mounting Brackets
- (1) Cargo Tray & Pod
- (1) Hardware Kit (listed below)



1/2" Pin - (1)



Spring Clip - (1)



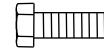
5/16" x 2-1/4" Lg. Cap Screw - (4)  
(Black Zinc Finish)



5/16" Flat Washer - (8)  
(Black Zinc Finish)



5/16" Lock Nut -(4)



3/8" x 1-1/4" Lg. Hex Bolt - (4)



3/8" Flat Washer - (4)



3/8" Lock Washer - (4)

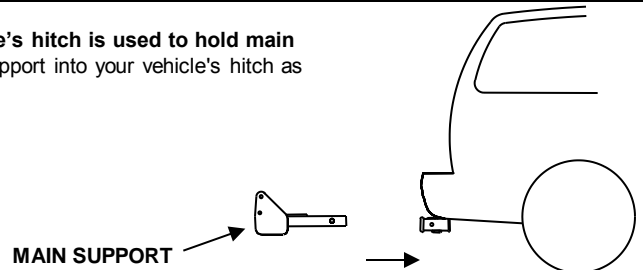


3/8" Hex Nut -(4)

**Hardware Kit**

**2**

**Note:** For ease of assembly, it is recommended the vehicle's hitch is used to hold main support. Slide the 1-1/4" square shank portion of the Main Support into your vehicle's hitch as shown. Install 1/2" pin and spring clip.

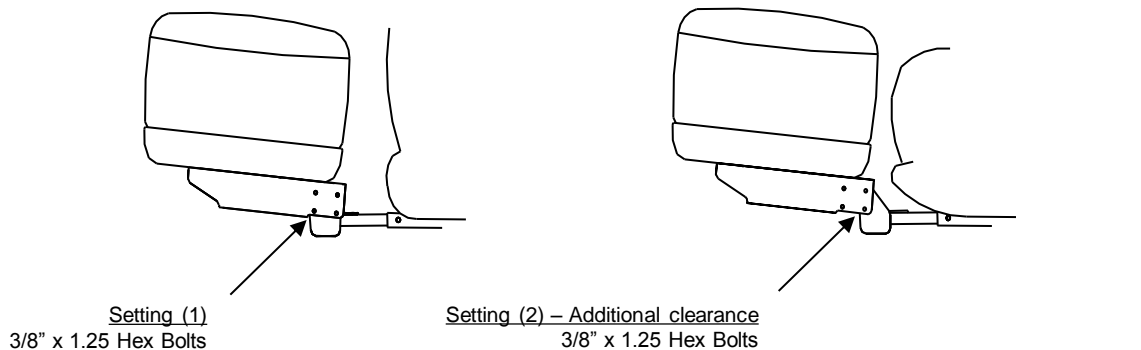


**Please read all instructions carefully before assembly, installation and/or use of this product.**

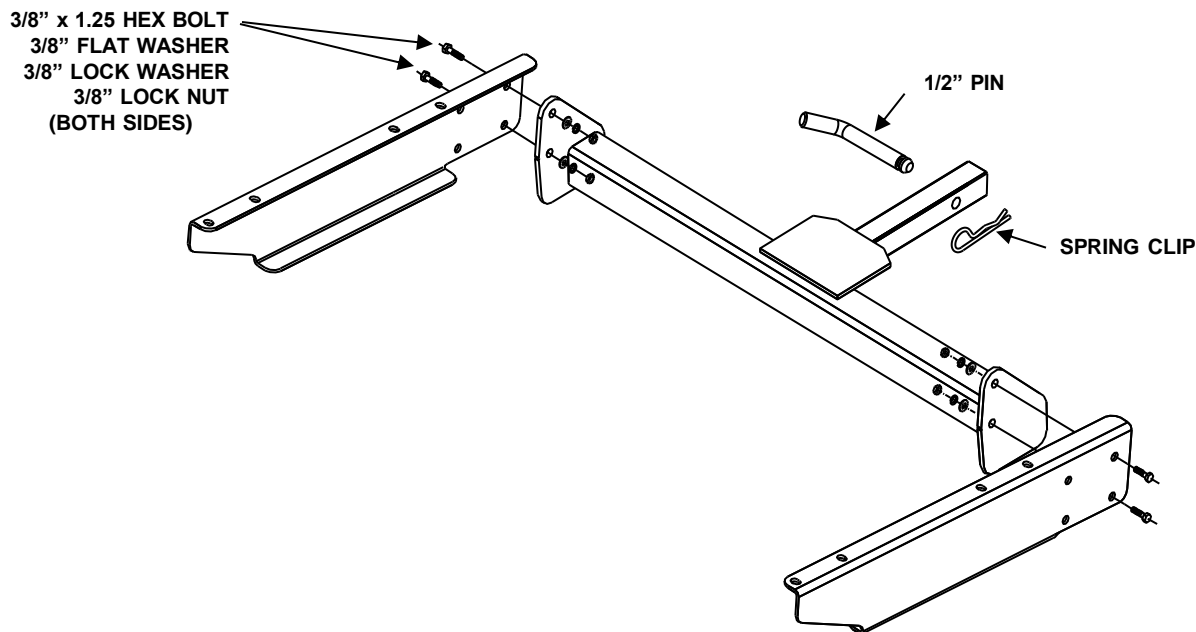
**3**

Determine the appropriate setting for bumper fascia clearance (reference Fig A), and attach the support brackets to the Main Support. Install the 3/8" x 1.25" hex bolts, flat washers, lock washers and hex nuts through the holes in support bracket and through the holes in plates on the Main Support as shown in Fig B.

**NOTE:** Attach support brackets with the flanges to the inside as shown. Tighten 3/8" hex bolts to 30 ft-lb.



**Fig A**



**Fig B**

**SUPPORT BRACKET FLANGES MUST BE  
TOWARD THE INSIDE AS SHOWN**

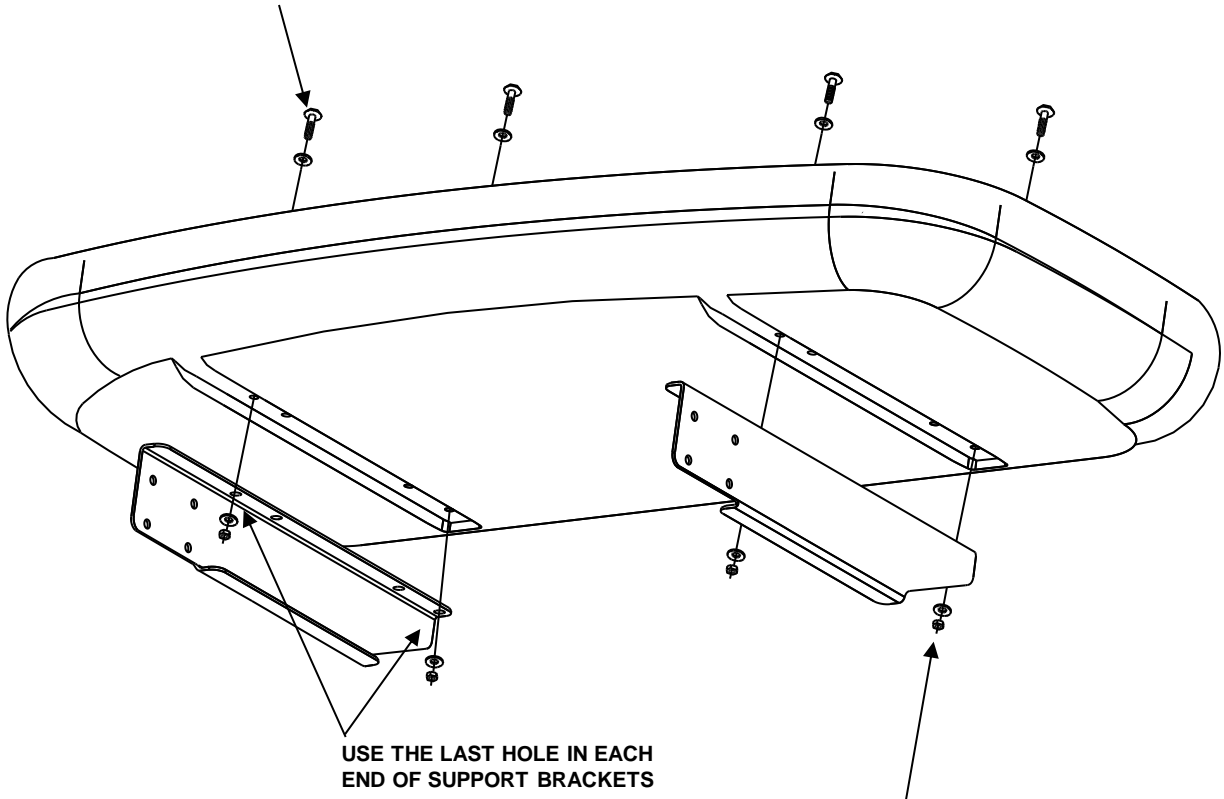


**Please read all instructions carefully before assembly, installation and/or use of this product.**

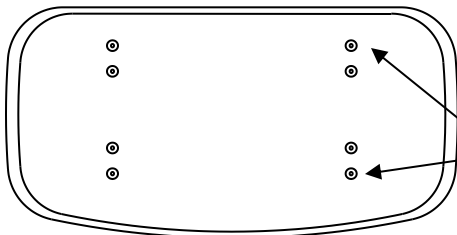
**4**

Remove the Bumper Pack from the tray, and place the empty Cargo Tray onto the support brackets with the lights or reflectors facing rearward. Line up the outer holes in the Cargo Tray with the last hole in each end of the support brackets. Install the four (4) 5/16" x 2-1/4" long cap screws with 5/16" black zinc flat washers through the cargo tray and holes in support brackets. Loosely install the black zinc 5/16" flat washers and lock nuts on cap screws. Tighten 5/16" cap screws to 12-24 ft-lb.

5/16 x 2-1/4" Cap Screws  
5/16" Flat Washer - Black Zinc  
(4 PLACES)

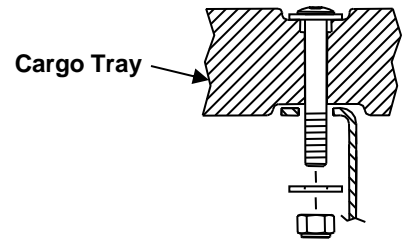


Flat Washer – Black Zinc  
Lock Nut  
(4 Places)



**TOP VIEW OF CARGO TRAY**

Use outermost holes to  
attach cargo tray to  
support brackets.



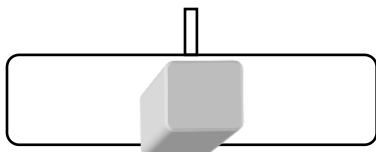
**View of fasteners  
to mount tray.**

**Please read all instructions carefully before assembly, installation and/or use of this product.**

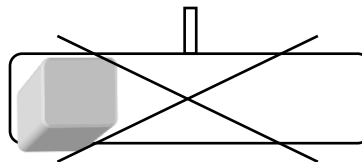
## General Operating Instructions

### Loading Cargo Tray or Bumper Pack

- Load the heaviest items first and in the center of the Tray or Bumper Pack.
- Make sure load is evenly distributed.
- Secure loads before moving vehicle.

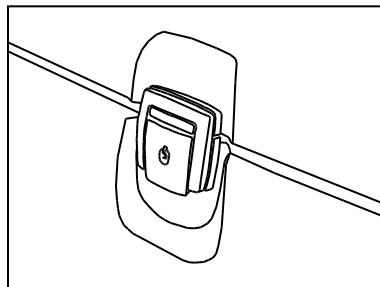


**CORRECT**

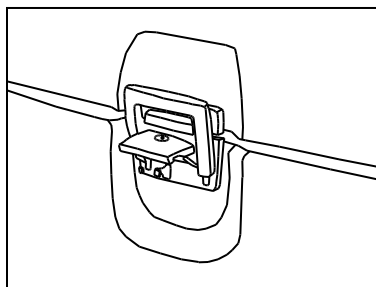


**INCORRECT**

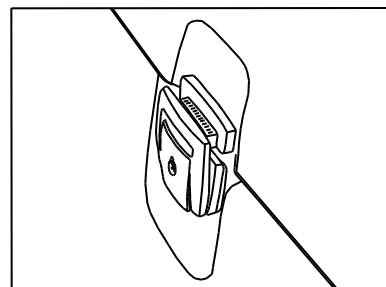
- Check all functions of lights before moving vehicle. To check functions, turn car on, turn on lights, press on brakes, left turn signal on, and right turn signal on.



**Latch Closed**



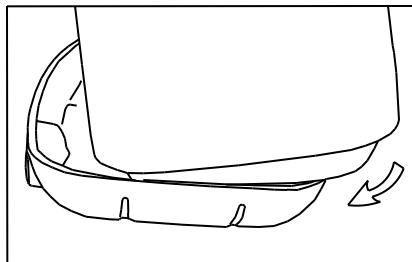
**Latch Opened**



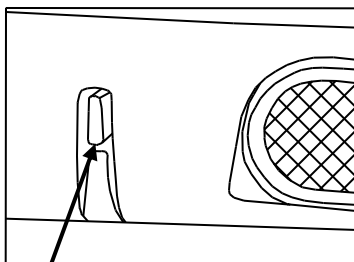
**Latch Partially Closed - INCORRECT**

- To install Bumper Pack to Cargo Tray, lift Bumper Pack up and over tray. Rotate the Bumper Pack down toward the lights so the two connector pins properly engage the tie-down slots in cargo tray as shown above.
- Seat the Bumper Pack into the Cargo Tray.
- Latch and lock the Cargo Tray/Bumper Pack latches before every use.

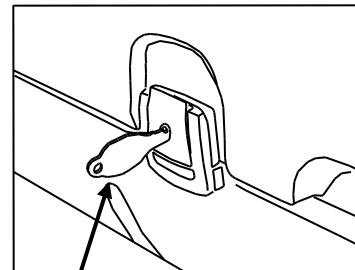
**Note: The latch keys are taped to the inside of the lid of Bumper Pack.**



**CONNECTOR PIN**



**LOCK LATCHES  
BEFORE EVERY USE**





Built for *Extremes*, Designed for Everyday Life

Product Name: **Adventure System – Class II**

Product Code: **59108**

## WARNING!

- Maximum capacity is 150 pounds. **Do not exceed maximum capacity.**
- Not for transport of people, animals, or flammable liquids.
- Do not use as a seat or step.
- Use light kit if load or cargo carrier blocks the taillights or turn signals.
- Securely fasten load to cargo carrier.
- All Pins and Locks must be secured and locked before every use.
- Check security of load, fasteners, pin, and clip at fuel and rest stops.
- Severe bumps can damage your tow vehicle, hitch, and cargo carrier. Drive slowly on rough roads. Stop and make a thorough inspection if your cargo carrier strikes the road. Correct any problems before resuming travel.
- Do not carry any loads wider than your vehicle.
- Relocate license plate if blocked by load or cargo carrier. (Optional license plate light kit P/N: 59117)
- If the cargo carrier or the contents being transported is in line with the exhaust outlet, an exhaust tip must be used to redirect the exhaust flow away from the cargo carrier or contents.

### CAUTION:

- Do not allow harsh chemicals, road salt, or mud to accumulate on the product for an extended period of time.
- Wash the product with mild soap and water only and a non-abrasive cloth.



CEQUENT  
A TRIMAC COMPANY

Cequent Consumer Products, Inc.  
Solon, OH 44139 USA

**Cequent Help Hotline: 1-800-234-6992**

Page 5 of 5

[www.rolaproducts.com](http://www.rolaproducts.com)

59108 Rev A 1007