

11109

95-99 CHEVROLET CAVALIER (EXCEPT Z24)
00-05 CHEVROLET CAVALIER (EXCEPT LS SPORT)
95-05 PONTIAC SUNFIRE (EXCEPT CONVERTIBLE, GT COUPE, AND LS SPORT)

8/24/2009

GROSS LOAD CAPACITY WHEN USED AS A WEIGHT CARRYING HITCH: 2,000 LBS. TRAILER WEIGHT & 200 LBS. TONGUE WEIGHT.

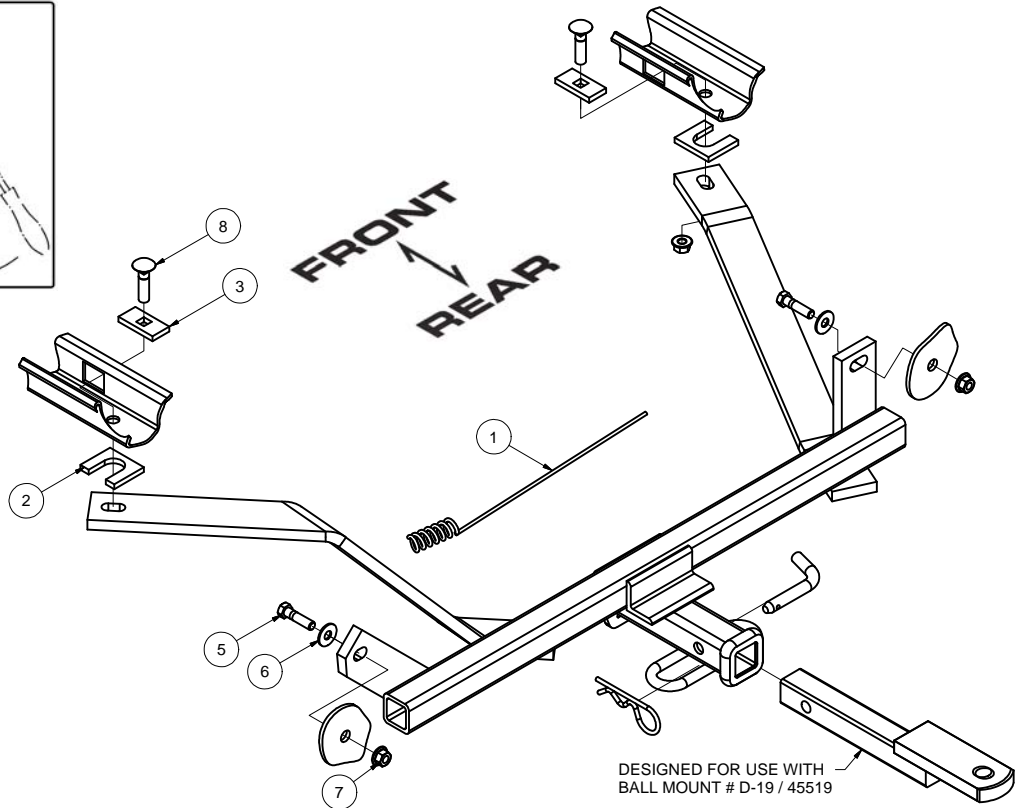
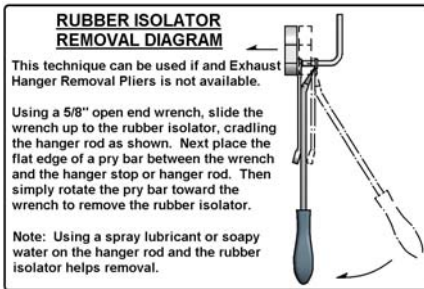
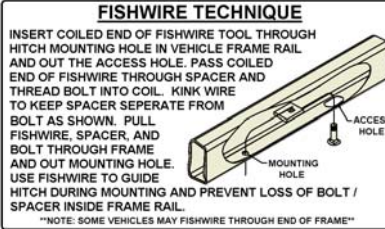
DO NOT EXCEED VEHICLE MANUFACTURER'S RECOMMENDED TOWING CAPACITY.

WARNING: ALL NON-TRAILER LOADS APPLIED TO THIS PRODUCT MUST BE SUPPORTED BY AUXILIARY STABILIZING STRAPS.

** FAILURE TO PROPERLY SUPPORT NON-TRAILER LOADS WILL VOID PRODUCT WARRANTY**

HAVING INSTALLATION QUESTIONS? CALL TECHNICAL SUPPORT AT 1-800-798-0813

Parts List			
ITEM	QTY	PART NUMBER	DESCRIPTION
1	1	CM-438-FW	7/16" FISHWIRE TOOL
2	2	CM-SP31	.250 x 1.75 x 2.00" U-SHAPE SPACER
3	2	CM-SP7	.250 x 1.00 x 2.00" SQUARE HOLE SPACER
4	2	7/16-14	HEX FLANGE NUT
5	2	3/8-16 X 1 1/2	HEX BOLT
6	2	3/8"	CONICAL TOOTHED WASHER
7	2	HFN3816	HEX FLANGE NUT
8	2	7/16 - 14 x 1 3/4	CARRIAGE BOLT



HITCH WEIGHT: 37 LBS.

INSTALL TIME

PROFESSIONAL: 45 MINUTES

NOVICE (DIY): 90 MINUTES

INSTALL NOTES:

-LOWER EXHAUST

-DRILLING REQUIRED

INSTALLATION STEPS

- 1) Remove two (2) 8mm bolts from inboard lower corners which attach bumper brackets to vehicle frame. Enlarge holes with 7/16 drill bit.
- 2) Temporarily lower exhaust system.
- 3) Remove the (two) rearmost exhaust heat shield rivets. Raise hitch up into position and trim heat shield to provide clearance for hitch installation.
- 4) Raise hitch into position, lining up holes in hitch upright mounting plates with holes in forward surface of vehicle. Install 3/8 fasteners through valence panel and hitch upright bracket, each side.
- 5) Fishwire 7/16" fasteners with spacers through square access hole on inboard side of frame.
Note: Use of u-shape block on passenger side, place u-shape block if nessesary on driver side.
- 6) Reattach exhaust system.
- 7) Torque 3/8" fasteners to 31 LB.-FT. and 7/16" fasteners to 50 LB.-FT.

PERIODICALLY CHECK THIS RECEIVER HITCH TO ENSURE THAT ALL FASTENERS ARE TIGHT AND THAT ALL STRUCTURAL COMPONENTS ARE SOUND.

Curt Manufacturing Inc., warrants this product to be free of defects in material and/or workmanship at the time of retail purchase by the original purchaser. If the product is found to be defective, Curt Manufacturing Inc., may repair or replace the product, at their option, when the product is returned, prepaid, with proof of purchase. Alteration to, misuse of, or improper installation of this product voids the warranty. Curt Manufacturing Inc.'s liability is limited to repair or replacement of products found to be defective, and specifically excludes liability for incidental or consequential loss or damage.