

**11325****HYUNDAI SONATA GL & GLS****8/5/2010****GROSS LOAD CAPACITY WHEN USED AS A WEIGHT CARRYING HITCH: 2,000 LBS. TRAILER WEIGHT & 200 LBS. TONGUE WEIGHT.**

\*\*\*DO NOT EXCEED VEHICLE MANUFACTURER'S RECOMMENDED TOWING CAPACITY.\*\*\*

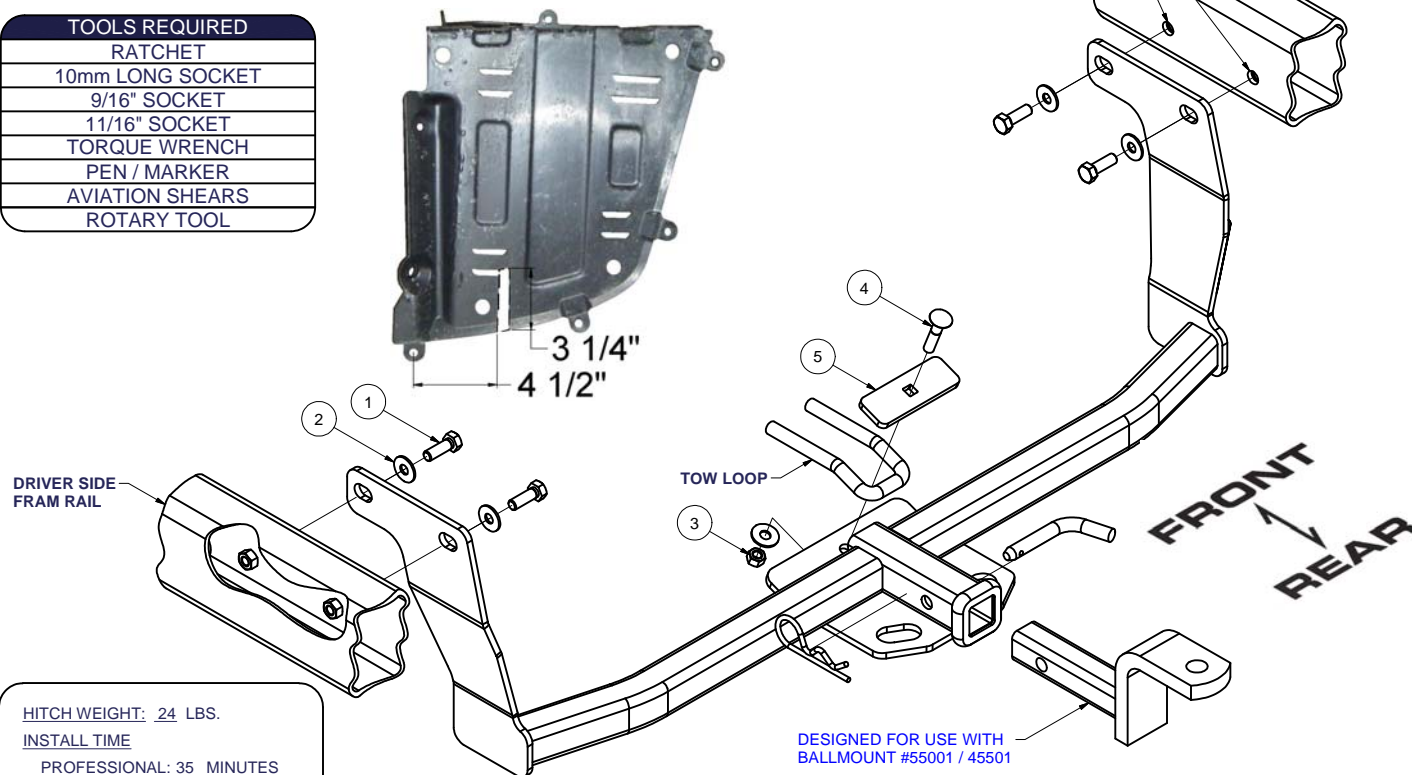
**WARNING: ALL NON-TRAILER LOADS APPLIED TO THIS PRODUCT MUST BE SUPPORTED BY AUXILIARY STABILIZING STRAPS.**

\*\* FAILURE TO PROPERLY SUPPORT NON-TRAILER LOADS WILL VOID PRODUCT WARRANTY\*\*

**HAVING INSTALLATION QUESTIONS? CALL TECHNICAL SUPPORT AT 1-800-798-0813**

Parts List			
ITEM	QTY	PART NUMBER	DESCRIPTION
1	4	M10 - 1.25 x 30	HEX BOLT
2	5	3/8"	CONICAL TOOTHED WASHER
3	1	3/8 - 16	HEX NUT
4	1	3/8 - 16 x 1 3/4	CARRIAGE BOLT
5	1	CM-11325-SP	.250" SPACER

TOOLS REQUIRED
RATCHET
10mm LONG SOCKET
9/16" SOCKET
11/16" SOCKET
TORQUE WRENCH
PEN / MARKER
AVIATION SHEARS
ROTARY TOOL

**HITCH WEIGHT:** 24 LBS.**INSTALL TIME**

PROFESSIONAL: 35 MINUTES

NOVICE (DIY): 70 MINUTES

**INSTALL NOTES:**

- NO DRILLING REQUIRED
- MAY REQUIRE FASCIA TRIMMING
- MAY REQUIRE UNDERBODY PANEL TRIMMING

DESIGNED FOR USE WITH BALLMOUNT #55001 / 45501

**INSTALLATION STEPS**

1. Remove plastic underbody panel (8) fasteners, if needed.
2. Remove the passenger side muffler heat shield by first removing the two rearmost muffler mounts. This will allow access to the four heat shield mounting fasteners and then the forward-most frame weldnut.
3. Place rectangular spacer with 3/8" carriage bolt through tow loop. Raise hitch into position over existing muffler heat shield(s). Notch bumper fascia as needed on drivers side.
4. Install 10mm fasteners on each side into existing weldnuts in the frame rails. Install 3/8" conical toothed washer and 3/8" nut through hitch plate and secure to hitch.
5. Torque all 10mm fasteners to 37 ft-lbs, and all 3/8" fasteners to 30 ft-lbs.
6. Trim and reattach plastic underbody panel as shown, if needed.

PERIODICALLY CHECK THIS RECEIVER HITCH TO ENSURE THAT ALL FASTENERS ARE TIGHT AND THAT ALL STRUCTURAL COMPONENTS ARE SOUND.

Curt Manufacturing Inc., warrants this product to be free of defects in material and/or workmanship at the time of retail purchase by the original purchaser. If the product is found to be defective, Curt Manufacturing Inc., may repair or replace the product, at their option, when the product is returned, prepaid, with proof of purchase. Alteration to, misuse of, or improper installation of this product voids the warranty. Curt Manufacturing Inc.'s liability is limited to repair or replacement of products found to be defective, and specifically excludes liability for incidental or consequential loss or damage.