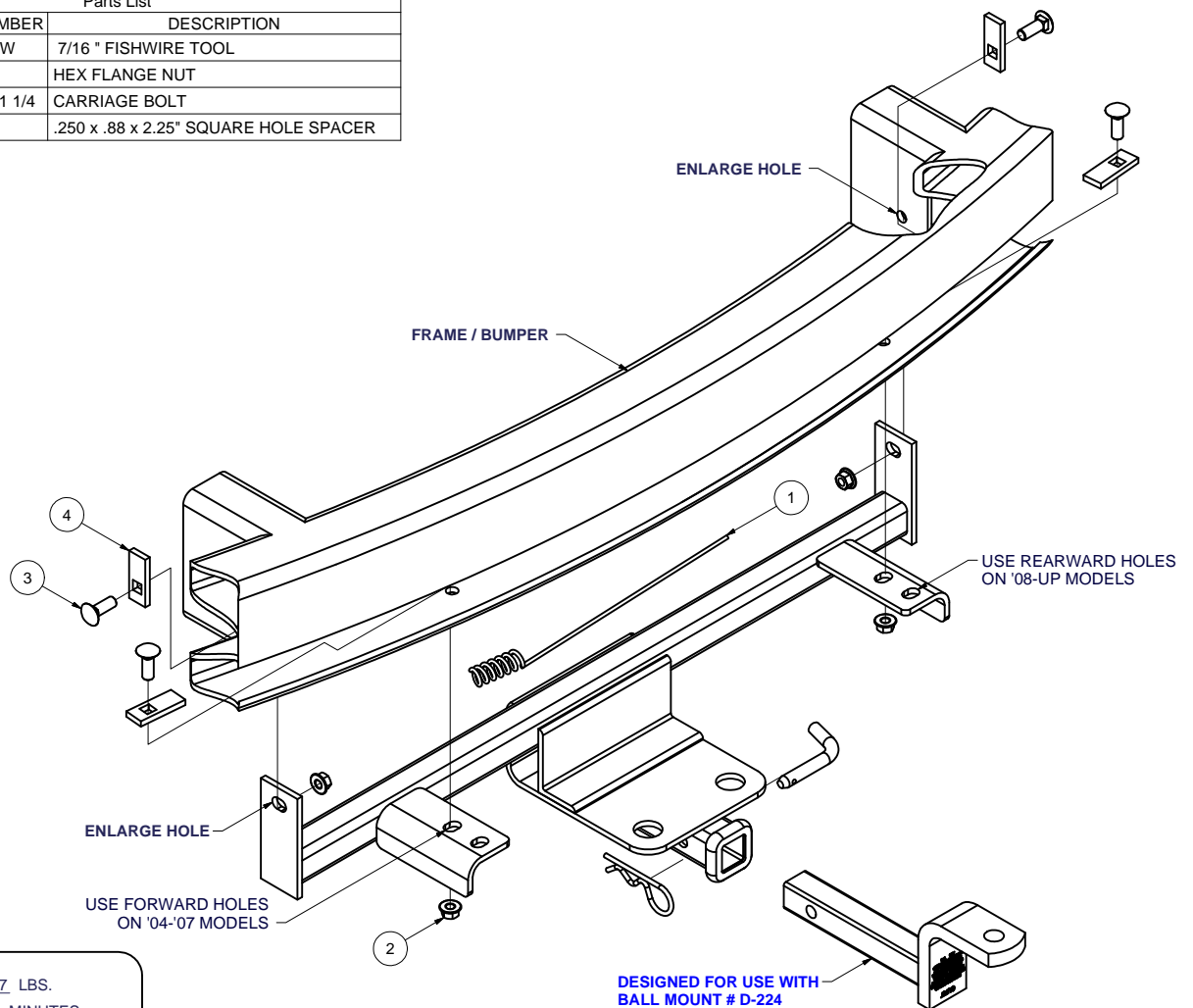


11386**MAZDA 3 SEDAN AND HATCHBACK****3/19/09**

GROSS LOAD CAPACITY WHEN USED AS A WEIGHT CARRYING HITCH: 2,000 LBS. TRAILER WEIGHT & 200 LBS. TONGUE WEIGHT.
*****DO NOT EXCEED VEHICLE MANUFACTURER'S RECOMMENDED TOWING CAPACITY.*****

Parts List			
ITEM	QTY	PART NUMBER	DESCRIPTION
1	1	CM-438-FW	7/16" FISHWIRE TOOL
2	4	7/16-14	HEX FLANGE NUT
3	4	7/16-14 x 1 1/4	CARRIAGE BOLT
4	4	CM-SP2	.250 x .88 x 2.25" SQUARE HOLE SPACER



HITCH WEIGHT: 27 LBS.
 INSTALL TIME: 25 MINUTES
 INSTALL NOTES:
 - ENLARGE HOLES

INSTALLATION STEPS

- 1) Remove the two plastic fasteners from the lower fascia.
- 2) Enlarge the four attachment holes using 1/2" drill bit.
- 3) Fishwire bolts and square hole spacers into place through the end of the frame.
- 4) Raise hitch into position and snug fasteners.
- 5) Fishwire remaining bolts and spacers into position through the end of the inner bumper structure.
- 6) Reinstall plastic fascia fasteners.
- 7) Torque all fasteners to 50 lb - ft.

PERIODICALLY CHECK THIS RECEIVER HITCH TO ENSURE THAT ALL FASTENERS ARE TIGHT AND THAT ALL STRUCTURAL COMPONENTS ARE SOUND.

Curt Manufacturing Inc., warrants this product to be free of defects in material and/or workmanship at the time of retail purchase by the original purchaser. If the product is found to be defective, Curt Manufacturing Inc., may repair or replace the product, at their option, when the product is returned, prepaid, with proof of purchase. Alteration to, misuse of, or improper installation of this product voids the warranty. Curt Manufacturing Inc.'s liability is limited to repair or replacement of products found to be defective, and specifically excludes liability for incidental or consequential loss or damage.