



Safety glasses should be worn at all times while installing this product.

YEARS: 2014-PRESENT

MAKE: INFINITI

MODEL: Q50

STYLE: SEDAN

WARNING: NEVER EXCEED YOUR VEHICLE MANUFACTURER'S RECOMMENDED TOWING CAPACITY

WEIGHT CARRYING:
 TRAILER WEIGHT: 2,000 LBS.
 TONGUE WEIGHT: 200 LBS.

WARNING:
 WE RECOMMEND THE USE OF 18050 STABILIZING STRAPS FOR ALL NON-TRAILER (WHEEL-LESS) LOADS. PLEASE SEE THE CURT CATALOG OR VISIT US ONLINE AT WWW.CURTMFG.COM FOR FURTHER INFORMATION.

PRO INSTALL TIME: 20 MIN.
NOVICE INSTALL TIME: 40 MIN.

IF YOU ARE HESITANT TO UNDERTAKE THIS TASK ON YOUR OWN, CONTACT AN AUTHORIZED CURT INSTALLER FOR ADDITIONAL ASSISTANCE.


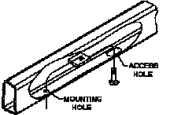
INSTALLATION REQUIRES:

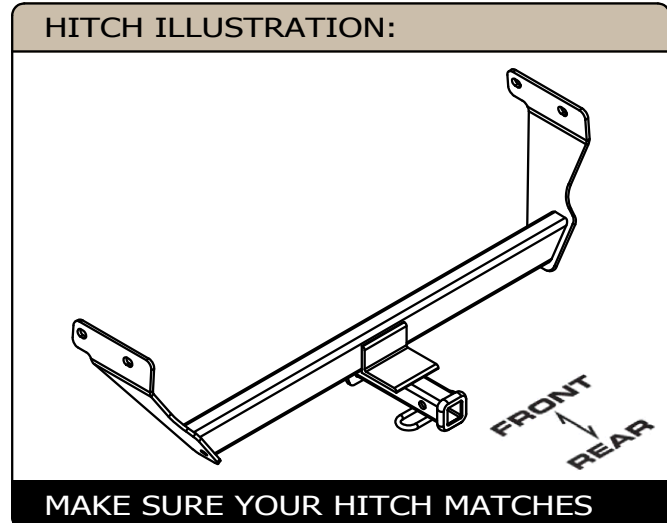
 RATCHET	 TORQUE WRENCH	 SOCKET EXTENSION
 11/16" 12mm SOCKET	 DIE GRINDER	 SAFETY GLASSES

INSTALLATION TIPS:

- BEFORE YOU BEGIN INSTALLATION, READ ALL INSTRUCTIONS THOROUGHLY.
- TO EASE INSTALLATION, 2 PEOPLE MAY BE REQUIRED.
- USING PROPER TOOLS WILL GREATLY IMPROVE THE QUALITY OF THE INSTALL AND REDUCE THE TIME REQUIRED.
- NEED HELP OR HAVE SOME QUESTIONS? CALL TECHNICAL SUPPORT AT 800.798.0813

LEVEL OF DIFFICULTY: MODERATE

EASY	MODERATE	CHALLENGING
	- ENLARGE ACCESS HOLE	
	- FISHWIRE HARDWARE	

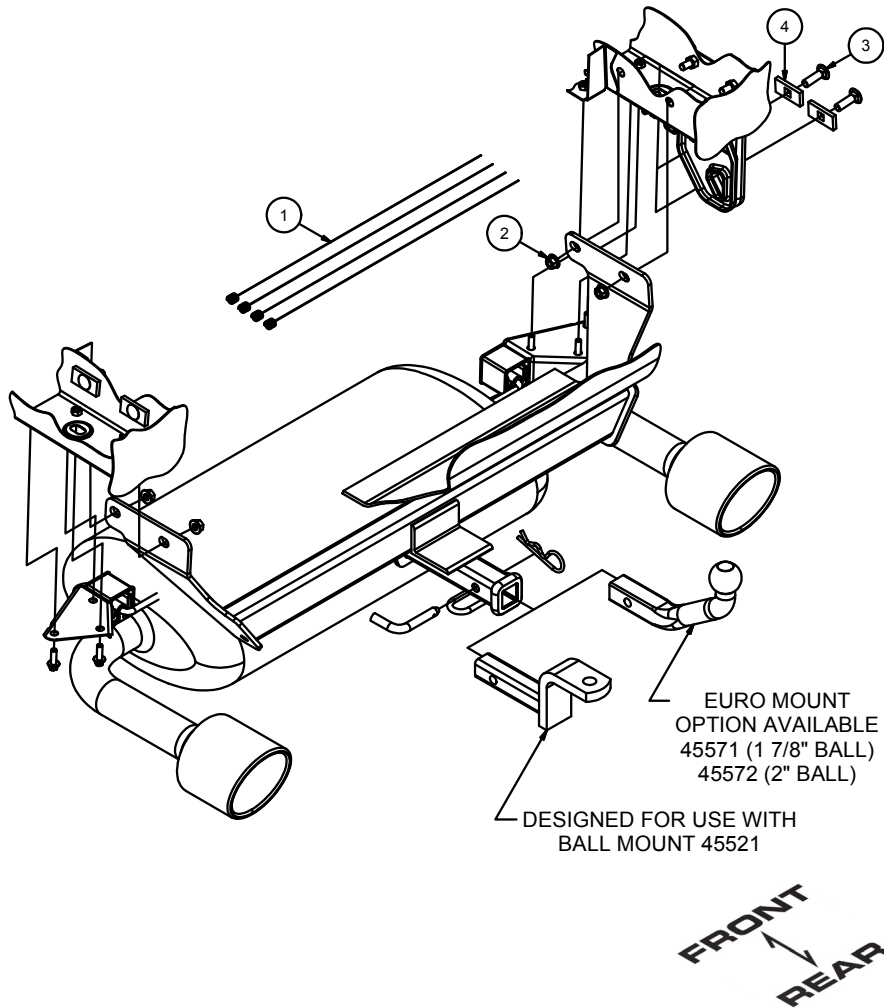


SCAN FOR MORE INFO

PERIODICALLY CHECK THIS RECEIVER HITCH TO ENSURE ALL FASTENERS ARE TIGHT AND ALL STRUCTURAL COMPONENTS ARE SOUND
 CURT Manufacturing LLC. warrants this product to be free of defects in material and/or workmanship at the time of retail purchase by the original purchaser. If the product is found to be defective, CURT Manufacturing LLC. may repair or replace the product at their option, when the product is returned, prepaid, with proof of purchase. Alteration to, misuse of, or improper installation of this product voids the warranty. CURT Manufacturing LLC.'s liability is limited to repair or replacement of products found to be defective, and specifically excludes liability for incidental or consequential loss or damage. For more information log onto www.curtmfg.com, & for helpful towing tips log onto www.hitchinfo.com

INSTALLATION WALKTHROUGH:

Parts List			
ITEM	QTY	PART NUMBER	DESCRIPTION
1	4	7_16 FISHWIRE	7/16" FISHWIRE
2	4	7/16-14	HEX FLANGE NUT
3	4	7/16-14 x 1 1/2	CARRIAGE BOLT
4	4	CM-SP7	.250 x 1.00 x 2.00" SQUARE HOLE SPACER



1. Lower exhaust by removing (6) bolts from the muffler brackets, retain bolts for reinstallation.



2. Enlarge the access holes to allow the carriage bolts and spacers to pass through.



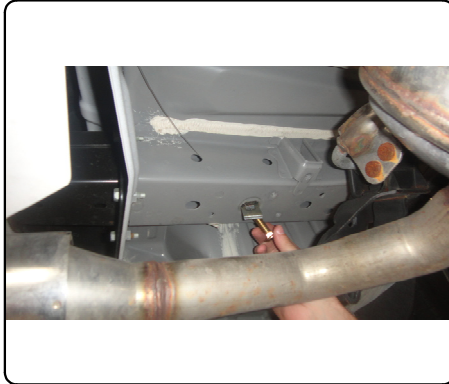
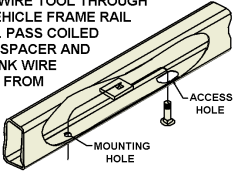
INSTALLATION WALKTHROUGH:

3. Fishwire the 7/16" bolts and SP2 spacers through the enlarged access hole and out the existing holes in the side of the frame rail, as shown. **Note:** Leave fishwires attached to prevent loss into the frame rails. Push the carriage bolts back into the frame rail prior to raising the hitch into position.

FISHWIRE TECHNIQUE

INSERT COILED END OF FISHWIRE TOOL THROUGH HITCH MOUNTING HOLE IN VEHICLE FRAME RAIL AND OUT THE ACCESS HOLE. PASS COILED END OF FISHWIRE THROUGH SPACER AND THREAD BOLT INTO COIL. KINK WIRE TO KEEP SPACER SEPERATE FROM BOLT AS SHOWN. PULL FISHWIRE, SPACER, AND BOLT THROUGH FRAME AND OUT MOUNTING HOLE. USE FISHWIRE TO GUIDE HITCH DURING MOUNTING AND PREVENT LOSS OF BOLT / SPACER INSIDE FRAME RAIL.

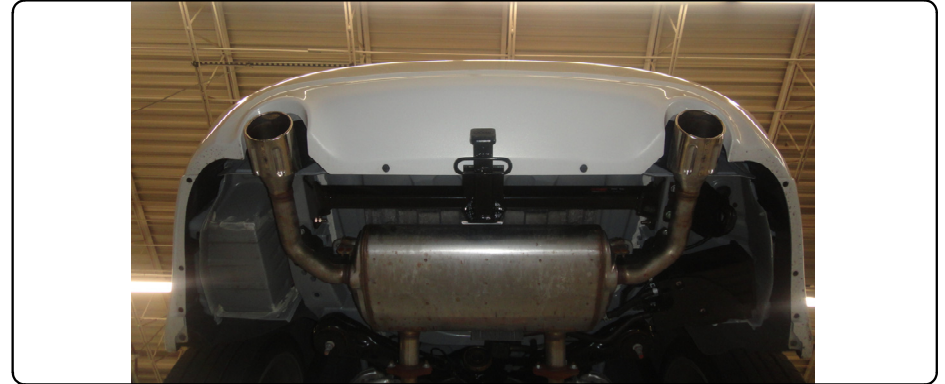
NOTE: SOME VEHICLES MAY FISHWIRE THROUGH END OF FRAME



4. Raise hitch into position and pull the fishwires and carriage bolts through the side plates. **Note:** Feed the fishwires through the mouting holes while raising the hitch. Remove the fishwires from the carriage bolts and secure the hitch with 7/16" flange nuts.



5. Torque all 7/16" hardware to 70 ft-lbs. Re-attach muffler brackets removed in Step 1. Torque all M8 muffler bracket hardware to 23 ft-lbs.



INSTALLATION COMPLETE



11407

INFINITI Q50

8/22/2014

GROSS LOAD CAPACITY WHEN USED AS A WEIGHT CARRYING HITCH: 2,000 LBS. TRAILER WEIGHT & 200 LBS. TONGUE WEIGHT.

*****DO NOT EXCEED VEHICLE MANUFACTURER'S RECOMMENDED TOWING CAPACITY.*****

WARNING: ALL NON-TRAILER LOADS APPLIED TO THIS PRODUCT MUST BE SUPPORTED BY 18050 STABILIZING STRAPS.

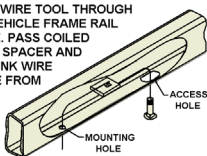
**** FAILURE TO PROPERLY SUPPORT NON-TRAILER LOADS WILL VOID PRODUCT WARRANTY****

HAVING INSTALLATION QUESTIONS? CALL TECHNICAL SUPPORT AT 1-800-798-0813

Parts List			
ITEM	QTY	PART NUMBER	DESCRIPTION
1	4	7_16 FISHWIRE	7/16" FISHWIRE
2	4	7/16-14	HEX FLANGE NUT
3	4	7/16-14 x 1 1/2	CARRIAGE BOLT
4	4	CM-SP7	.250 x 1.00 x 2.00" SQUARE HOLE SPACER

FISHWIRE TECHNIQUE

INSERT COILED END OF FISHWIRE TOOL THROUGH HITCH MOUNTING HOLE IN VEHICLE FRAME RAIL AND OUT THE ACCESS HOLE. PASS COILED END OF FISHWIRE THROUGH SPACER AND THREAD BOLT INTO COIL. KINK WIRE TO KEEP SPACER SEPARATE FROM BOLT AS SHOWN. PULL FISHWIRE, SPACER, AND BOLT THROUGH FRAME AND OUT MOUNTING HOLE. USE FISHWIRE TO GUIDE HITCH DURING MOUNTING AND PREVENT LOSS OF BOLT / SPACER INSIDE FRAME RAIL.



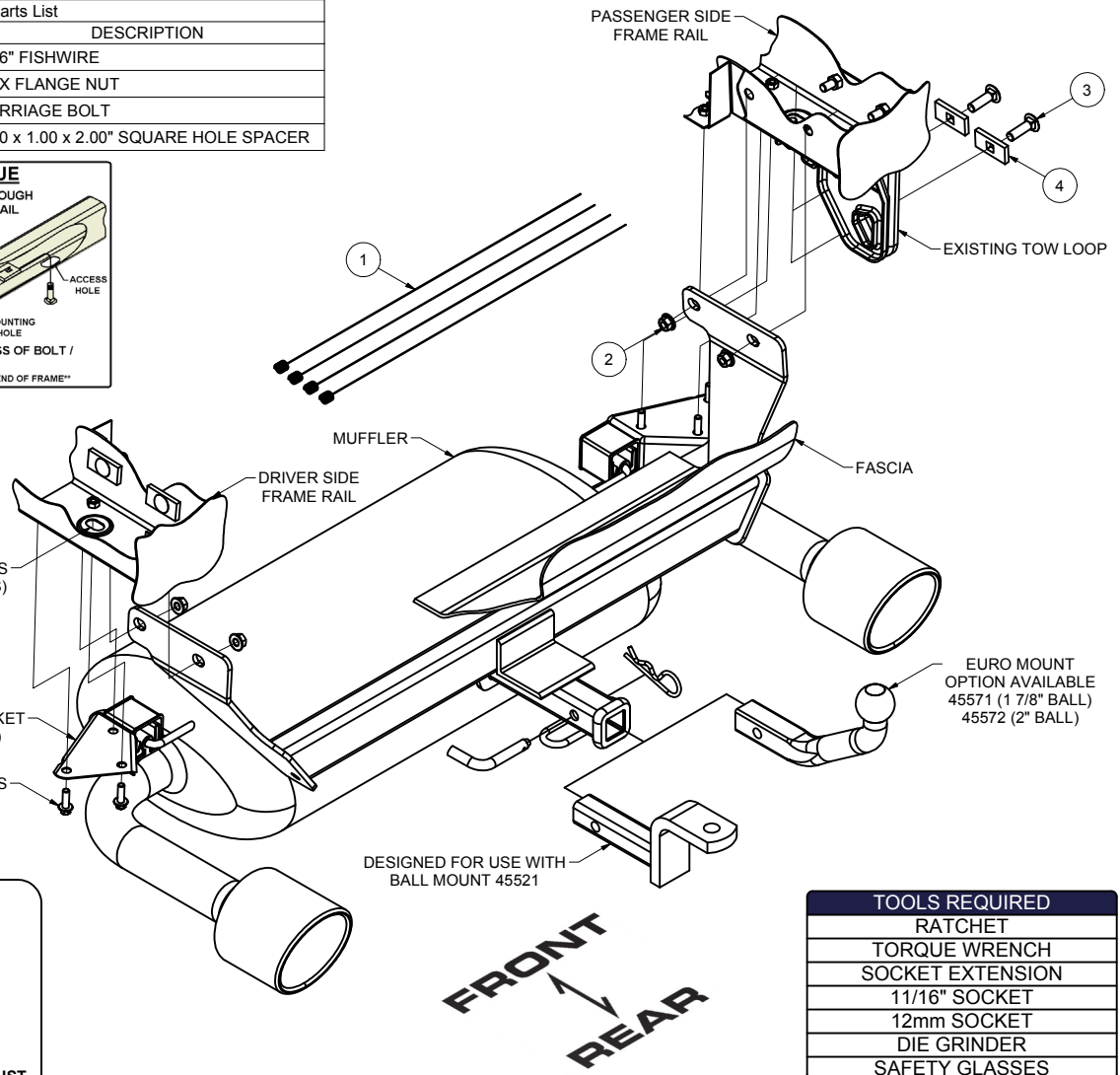
"NOTE: SOME VEHICLES MAY FISHWIRE THROUGH END OF FRAME"



ENLARGED ACCESS HOLE (BOTH SIDES)

MUFFLER BRACKET (BOTH SIDES)

EXISTING BOLTS (BOTH SIDES)



HITCH WEIGHT: 23 LBS.

INSTALL TIME

PROFESSIONAL: 20 MINUTES

NOVICE (DIY): 40 MINUTES

INSTALL NOTES:

- ENLARGE ACCESS HOLE
- FISHWIRE HARDWARE
- TEMPORARILY LOWER EXHAUST

TOOLS REQUIRED

- RATCHET
- TORQUE WRENCH
- SOCKET EXTENSION
- 11/16" SOCKET
- 12mm SOCKET
- DIE GRINDER
- SAFETY GLASSES

INSTALLATION STEPS

1. Lower exhaust by removing (6) bolts from the muffler brackets, retain bolts for reinstallation.
2. Enlarge the access holes to allow the 7/16" carriage bolts and spacers to pass through.
3. Fishwire the 7/16" bolts and SP2 spacers through the enlarged access hole and out the existing holes in the side of the frame rail, as shown. **Note:** Leave fishwires attached to prevent loss into the frame rails. Push the carriage bolts back into the frame rail prior to raising the hitch into position.
4. Raise hitch into position and pull the fishwires and carriage bolts through the side plates. **Note:** Feed the fishwires through the mouting holes while raising the hitch.
5. Remove the fishwires from the carriage bolts and secure the hitch with 7/16" flange nuts.
6. Torque all 7/16" hardware to 70 ft-lbs.
7. Re-attach muffler brackets removed in Step 1. Torque all M8 muffler bracket hardware to 23 ft-lbs.



Scan for more information

PERIODICALLY CHECK THIS RECEIVER HITCH TO ENSURE THAT ALL FASTENERS ARE TIGHT AND THAT ALL STRUCTURAL COMPONENTS ARE SOUND.

CURT Manufacturing LLC., warrants this product to be free of defects in material and/or workmanship at the time of retail purchase by the original purchaser. If the product is found to be defective, CURT Manufacturing LLC., may repair or replace the product, at their option, when the product is returned, prepaid, with proof of purchase. Alteration to, misuse of, or improper installation of this product voids the warranty. CURT Manufacturing LLC.'s liability is limited to repair or replacement of products found to be defective, and specifically excludes liability for incidental or consequential loss or damage.