

11634

## 85-86 SUBARU WAGON (2 &amp; 4WD)

5/17/2010

GROSS LOAD CAPACITY WHEN USED AS A WEIGHT CARRYING HITCH: 2,000 LBS. TRAILER WEIGHT &amp; 200 LBS. TONGUE WEIGHT.

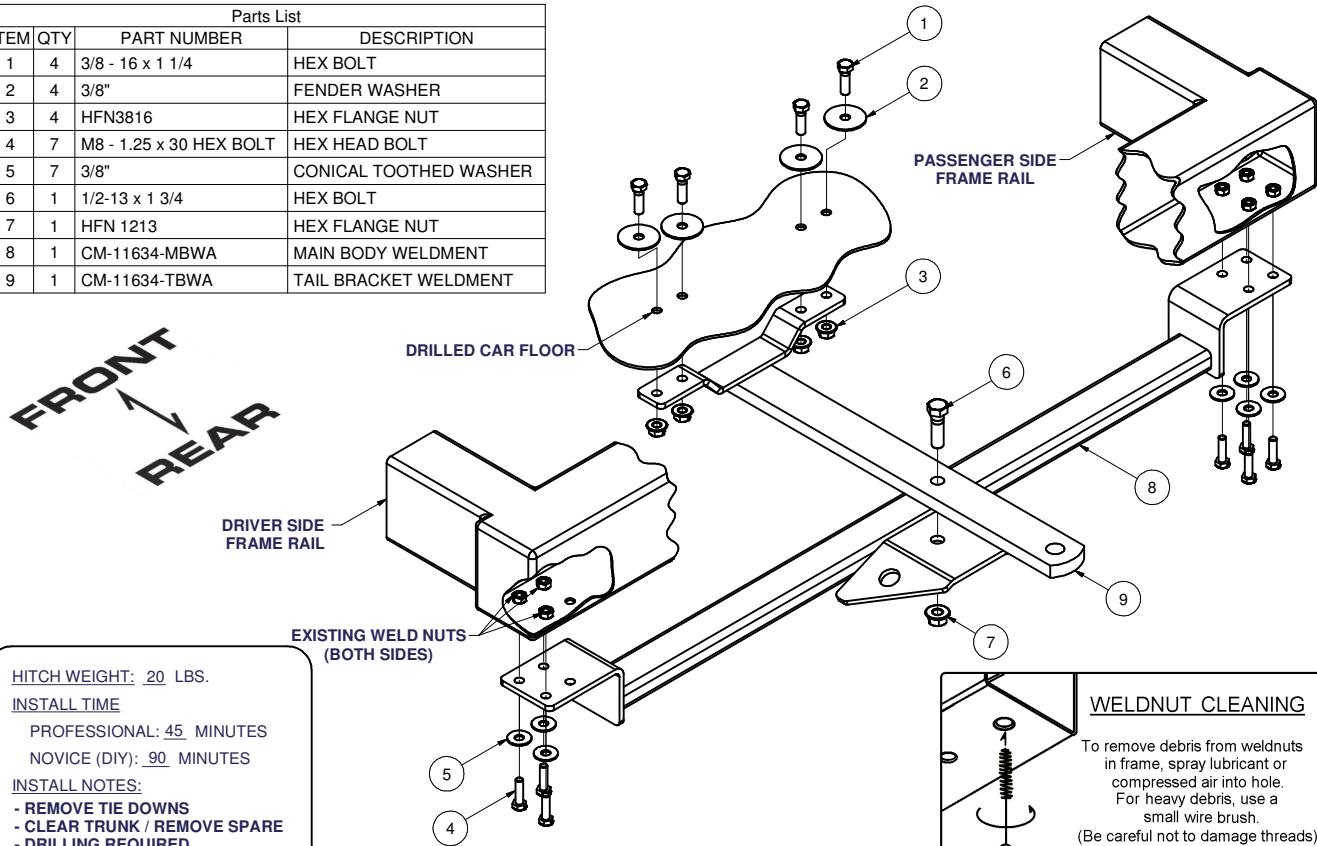
**\*\*\*DO NOT EXCEED VEHICLE MANUFACTURER'S RECOMMENDED TOWING CAPACITY.\*\*\***

WARNING: ALL NON-TRAILER LOADS APPLIED TO THIS PRODUCT MUST BE SUPPORTED BY 18050 STABILIZING STRAPS.

**\*\* FAILURE TO PROPERLY SUPPORT NON-TRAILER LOADS WILL VOID PRODUCT WARRANTY\*\***

HAVING INSTALLATION QUESTIONS? CALL TECHNICAL SUPPORT AT 1-800-798-0813

Parts List			
ITEM	QTY	PART NUMBER	DESCRIPTION
1	4	3/8 - 16 x 1 1/4	HEX BOLT
2	4	3/8"	FENDER WASHER
3	4	HFN3816	HEX FLANGE NUT
4	7	M8 - 1.25 x 30	HEX HEAD BOLT
5	7	3/8"	CONICAL TOOTHED WASHER
6	1	1/2-13 x 1 3/4	HEX BOLT
7	1	HFN 1213	HEX FLANGE NUT
8	1	CM-11634-MBWA	MAIN BODY WELDMENT
9	1	CM-11634-TBWA	TAIL BRACKET WELDMENT



HITCH WEIGHT: 20 LBS.

## INSTALL TIME

PROFESSIONAL: 45 MINUTES

NOVICE (DIY): 90 MINUTES

## INSTALL NOTES:

- REMOVE TIE DOWNS
- CLEAR TRUNK / REMOVE SPARE
- DRILLING REQUIRED
- SILICONE HARDWARE

## WELDNUT CLEANING

To remove debris from weldnuts in frame, spray lubricant or compressed air into hole. For heavy debris, use a small wire brush. (Be careful not to damage threads).

## INSTALLATION STEPS

1. Remove the tie down brackets under the vehicle at the outside corners. The driver side is attached with (3) 8mm bolts, and the Passenger side is attached with (4) 8mm bolts. Return the tie down brackets and fasteners to the vehicle's owner for reinstallation should the hitch ever be removed.
2. Install the main body weldment (item 8) in place of the tie down brackets using the fasteners as shown. The safety chain bracket on the main body weldment will face towards the rear of the vehicle. Be certain to install the conical tooth washers and bolts against the brackets with teeth away from the bolt head.
3. Position the tail bracket weldment across the top of the main body weldment and fasten to the tongue as shown. Do not fully tighten yet.
4. Adjust the hitch so that it is square with the vehicle. Clear the rear cargo area of spare tire and other items. Using the hitch as a template, drill the vehicle floor (4) places for 3/8" bolts.
5. Fasten the hitch to the vehicle floor using fasteners as shown; making sure to use fender washers inside the trunk, opposite the floor.
6. Torque all 8mm fasteners to 19 lb-ft, all 3/8" fasteners to 30 lb-ft, and all 1/2" fasteners to 75 lb-ft.
7. Apply silicone sealant around fasteners installed in trunk to seal out water and exhaust fumes.
8. Reinstall spare tire and trunk contents removed in step 4.

**PERIODICALLY CHECK THIS RECEIVER HITCH TO ENSURE THAT ALL FASTENERS ARE TIGHT AND THAT ALL STRUCTURAL COMPONENTS ARE SOUND.**

Curt Manufacturing Inc., warrants this product to be free of defects in material and/or workmanship at the time of retail purchase by the original purchaser. If the product is found to be defective, Curt Manufacturing Inc., may repair or replace the product, at their option, when the product is returned, prepaid, with proof of purchase. Alteration to, misuse of, or improper installation of this product voids the warranty. Curt Manufacturing Inc.'s liability is limited to repair or replacement of products found to be defective, and specifically excludes liability for incidental or consequential loss or damage.