

GROSS LOAD CAPACITY WHEN USED AS A WEIGHT CARRYING HITCH: 2,500 LBS. TRAILER WEIGHT & 200 LBS. TONGUE WEIGHT.

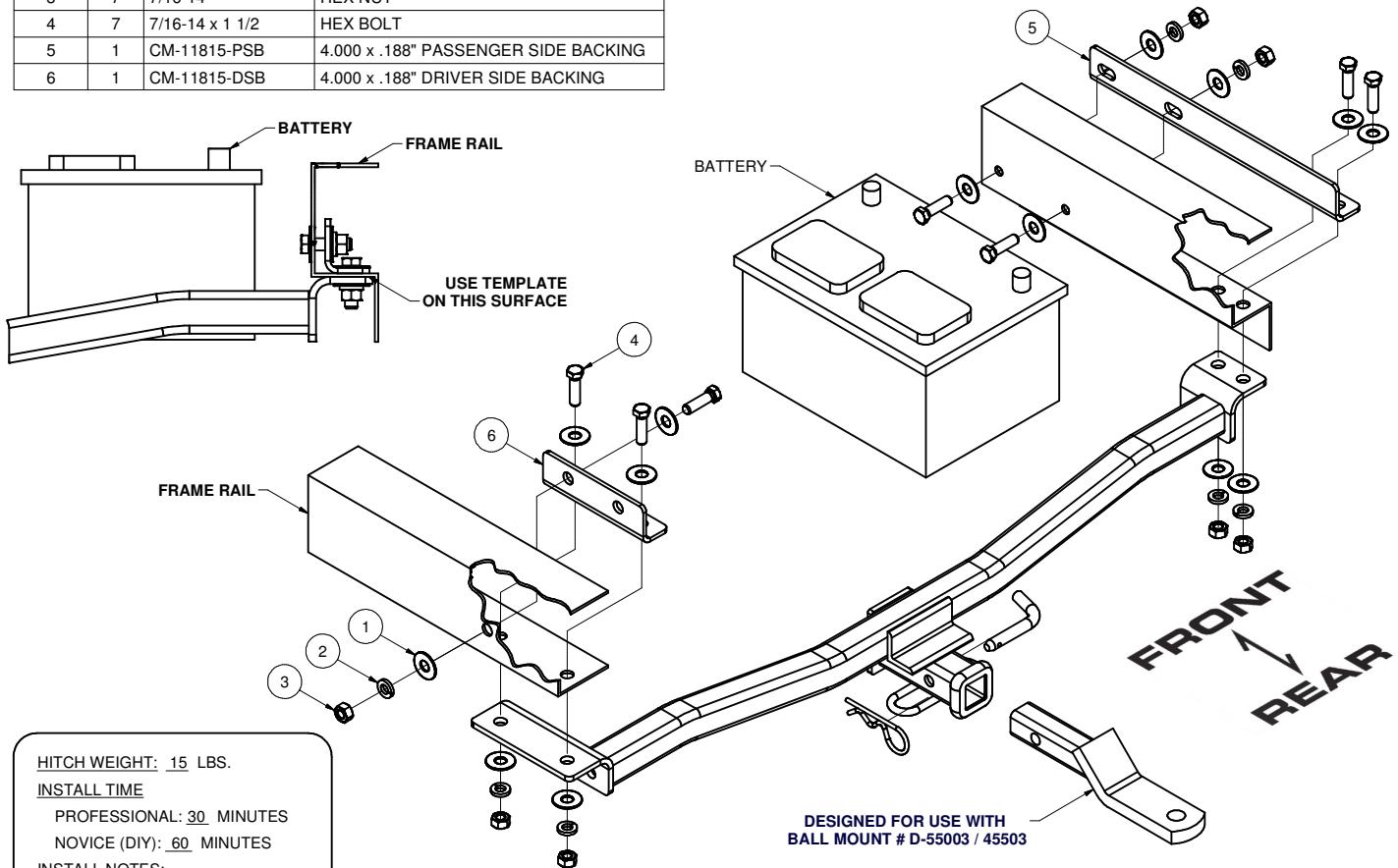
DO NOT EXCEED VEHICLE MANUFACTURER'S RECOMMENDED TOWING CAPACITY.

WARNING: ALL NON-TRAILER LOADS APPLIED TO THIS PRODUCT MUST BE SUPPORTED BY 18050 STABILIZING STRAPS.

** FAILURE TO PROPERLY SUPPORT NON-TRAILER LOADS WILL VOID PRODUCT WARRANTY**

HAVING INSTALLATION QUESTIONS? CALL TECHNICAL SUPPORT AT 1-800-798-0813

Parts List			
ITEM	QTY	PART NUMBER	DESCRIPTION
1	14	7/16 WASHER	WASHER
2	7	7/16 LOCK WASHER	HELICAL LOCK WASHER
3	7	7/16-14	HEX NUT
4	7	7/16-14 x 1 1/2	HEX BOLT
5	1	CM-11815-PSB	4.000 x .188" PASSENGER SIDE BACKING
6	1	CM-11815-DSB	4.000 x .188" DRIVER SIDE BACKING



HITCH WEIGHT: 15 LBS.

INSTALL TIME

PROFESSIONAL: 30 MINUTES

NOVICE (DIY): 60 MINUTES

INSTALL NOTES:

- DRILLING REQUIRED
- LOOSEN / RELOCATE BATTERY

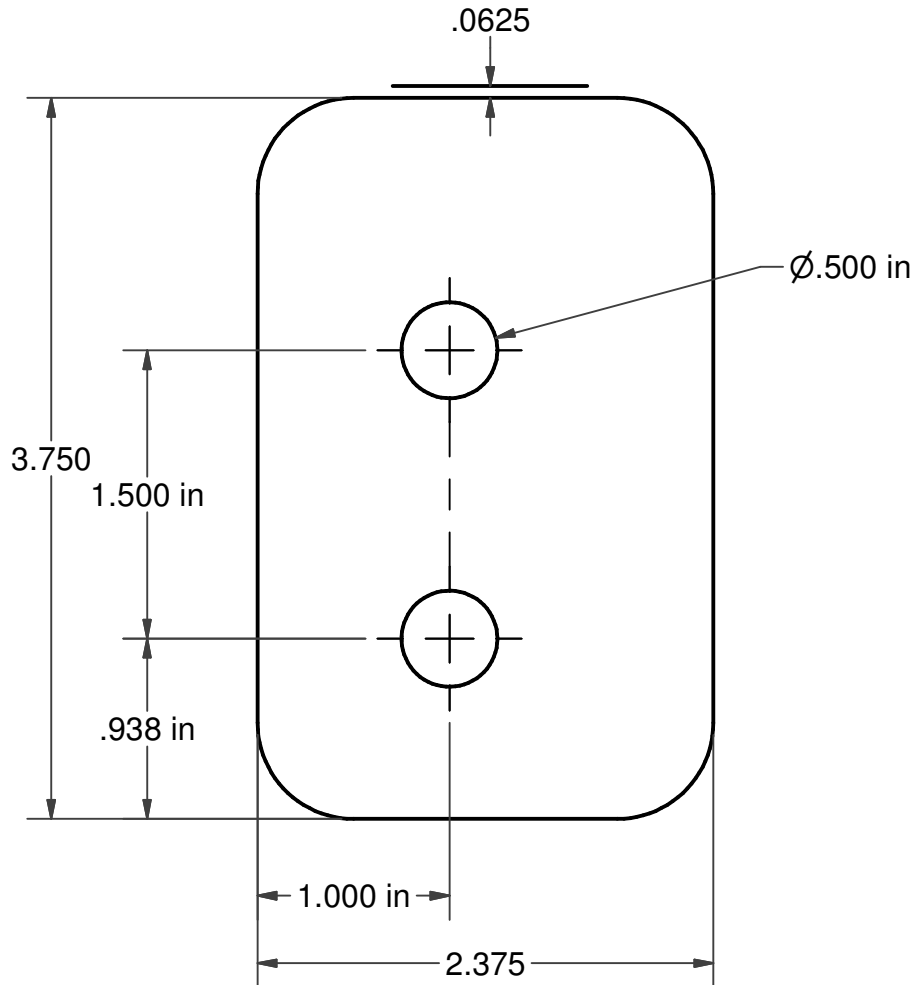
INSTALLATION STEPS

1. Loosen battery hold down clamps and slide battery toward the center of the vehicle. If removal becomes necessary, please consult owner's manual for proper procedure as this may reset the vehicle computers. Loosely install backing plate with fasteners. Note direction of bolts is away from battery, as shown.
2. Using template provided drill passenger side of vehicle for two 7/16" bolts. Lift hitch into position (it helps to slide passenger side into position over tie down bracket first) and install fasteners.
3. Check that hitch is square with vehicle and using hitch as a template drill for 7/16" bolts. Install fasteners through hitch and backing plate sandwiching exhaust shield between hitch and vehicle.
4. Using backing plate as a template, drill frame and exhaust shield for fasteners and install. This fastener sandwiches exhaust shield with flat washer against frame, as shown.
5. Torque all fasteners to 70 lb-ft.

PERIODICALLY CHECK THIS RECEIVER HITCH TO ENSURE THAT ALL FASTENERS ARE TIGHT AND THAT ALL STRUCTURAL COMPONENTS ARE SOUND.

Curt Manufacturing Inc., warrants this product to be free of defects in material and/or workmanship at the time of retail purchase by the original purchaser. If the product is found to be defective, Curt Manufacturing Inc., may repair or replace the product, at their option, when the product is returned, prepaid, with proof of purchase. Alteration to, misuse of, or improper installation of this product voids the warranty. Curt Manufacturing Inc.'s liability is limited to repair or replacement of products found to be defective, and specifically excludes liability for incidental or consequential loss or damage.

INSTALLATION TEMPLATE



PRINT 1:1