

12157**97-04 BUICK PARK AVENUE****9/1/2009****GROSS LOAD CAPACITY WHEN USED AS A WEIGHT CARRYING HITCH: 3,500 LBS. TRAILER WEIGHT & 350 LBS. TONGUE WEIGHT.**

DO NOT EXCEED VEHICLE MANUFACTURER'S RECOMMENDED TOWING CAPACITY.

WARNING: ALL NON-TRAILER LOADS APPLIED TO THIS PRODUCT MUST BE SUPPORTED BY AUXILIARY STABILIZING STRAPS.

** FAILURE TO PROPERLY SUPPORT NON-TRAILER LOADS WILL VOID PRODUCT WARRANTY**

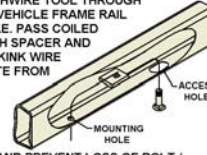
HAVING INSTALLATION QUESTIONS? CALL TECHNICAL SUPPORT AT 1-800-798-0813

Parts List				
ITEM	QTY	PART NUMBER	DESCRIPTION	
1	2	CM-SP6	.250 x 1.00 x 3.00" SQUARE HOLE SPACER	
2	4	1/2"	NYLON WASHER	
3	1	M10 - 1.5 x 45mm	HEX BOLT	
4	2	CM-SP9	.250 x 1.25 x 2.50" SQUARE HOLE SPACER	
5	1	7/16"	CONICAL TOOTHED WASHER	
6	4	HFN 1213	HEX FLANGE NUT	
7	2	7/16	WASHER	
8	2	7/16-14	HEX FLANGE NUT	
9	2	7/16-14 x 1 1/2	HEX BOLT	
10	6	CM-SP33	.250 x 1.50 x 2.00" SQUARE HOLE SPACER	
11	4	1/2 - 13 x 2"	CARRIAGE BOLT	
12	1	1/2"	FISHWIRE TOOL	

FISHWIRE TECHNIQUE

INSERT COILED END OF FISHWIRE TOOL THROUGH HITCH MOUNTING HOLE IN VEHICLE FRAME RAIL AND OUT THE ACCESS HOLE. PASS COILED END OF FISHWIRE THROUGH SPACER AND THREAD BOLT INTO COIL. KINK WIRE TO KEEP SPACER SEPARATE FROM BOLT AS SHOWN. PULL FISHWIRE, SPACER, AND BOLT THROUGH FRAME AND OUT MOUNTING HOLE. USE FISHWIRE TO GUIDE HITCH DURING MOUNTING AND PREVENT LOSS OF BOLT / SPACER INSIDE FRAME RAIL.

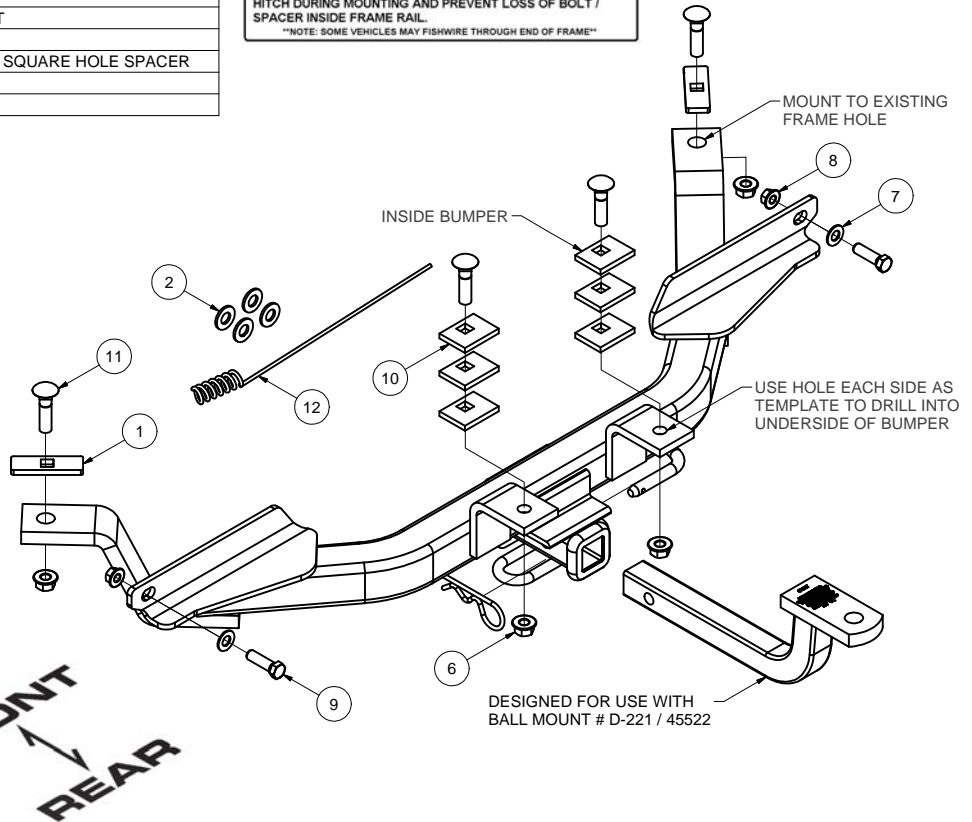
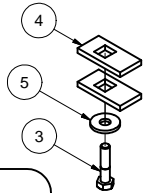
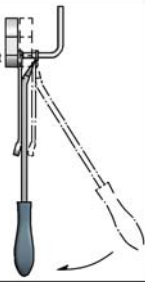
"NOTE: SOME VEHICLES MAY FISHWIRE THROUGH END OF FRAME"

**RUBBER ISOLATOR REMOVAL DIAGRAM**

This technique can be used if and Exhaust Hanger Removal Pliers is not available.

Using a 5/8" open end wrench, slide the wrench up to the rubber isolator, cradling the hanger rod as shown. Next place the flat edge of a pry bar between the wrench and the hanger stop or hanger rod. Then simply rotate the pry bar toward the wrench to remove the rubber isolator.

Note: Using a spray lubricant or soapy water on the hanger rod and the rubber isolator helps removal.



HITCH WEIGHT: 39 LBS.

INSTALL TIME

PROFESSIONAL: 45 MINUTES

NOVICE (DIY): 90 MINUTES

INSTALL NOTES:

- DRILLING REQUIRED
- LOWER EXHAUST

INSTALLATION STEPS

- 1) Support the exhaust and remove the bolt holding the exhaust hanger bracket to the bottom of the frame.
- 2) Loosen the top nuts and remove the bottom nut from the bolt strap which attaches the bumper to the vehicle frame. Bend the bottom of the "T" shaped strap out of the way or cut the tab if needed.
- 3) Raise hitch into position, lining up holes in hitch with existing holes in vehicle frame. Note: The existing attachment holes may need to be enlarged.
- 4) Using the hitch as a template, drill 1/2" holes in the bumper where the bolt strap was removed.
- 5) Place nylon washer (galvanic isolator) between the blocks which will be in contact with the bumper. Fishwire the 1/2" carriage bolts, spacer, and nylon washer through the end of the bumper and into the holes drilled in Step 4.
- 6) Fishwire the remaining fasteners to the proper locations. A reinforcement inside the frame may require the existing hole to be enlarged.
- 7) Add at least two spacers between the frame and the exhaust hanger bracket. Reinstall the exhaust hanger bracket with the M10 bolts provided.
- 8) Torque M10 fasteners to 42 LB-FT. Torque 1/2" fasteners to 75 LB-FT. Torque 7/16" fasteners to 50 LB-FT

PERIODICALLY CHECK THIS RECEIVER HITCH TO ENSURE THAT ALL FASTENERS ARE TIGHT AND THAT ALL STRUCTURAL COMPONENTS ARE SOUND.

Curt Manufacturing Inc., warrants this product to be free of defects in material and/or workmanship at the time of retail purchase by the original purchaser. If the product is found to be defective, Curt Manufacturing Inc., may repair or replace the product, at their option, when the product is returned, prepaid, with proof of purchase. Alteration to, misuse of, or improper installation of this product voids the warranty. Curt Manufacturing Inc.'s liability is limited to repair or replacement of products found to be defective, and specifically excludes liability for incidental or consequential loss or damage.