

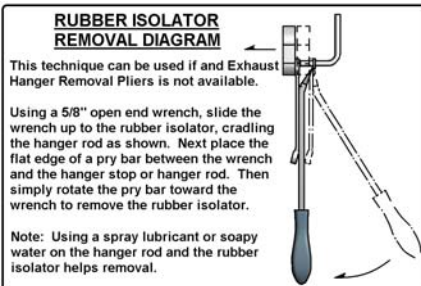
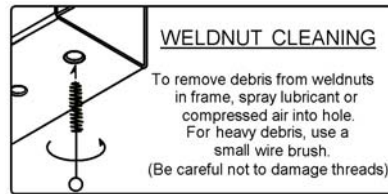
12284**SUBARU LEGACY SEDAN & WAGON
OUTBACK SEDAN & WAGON 2.5 XT & 3.0 LL BEAN**

4/11/2011

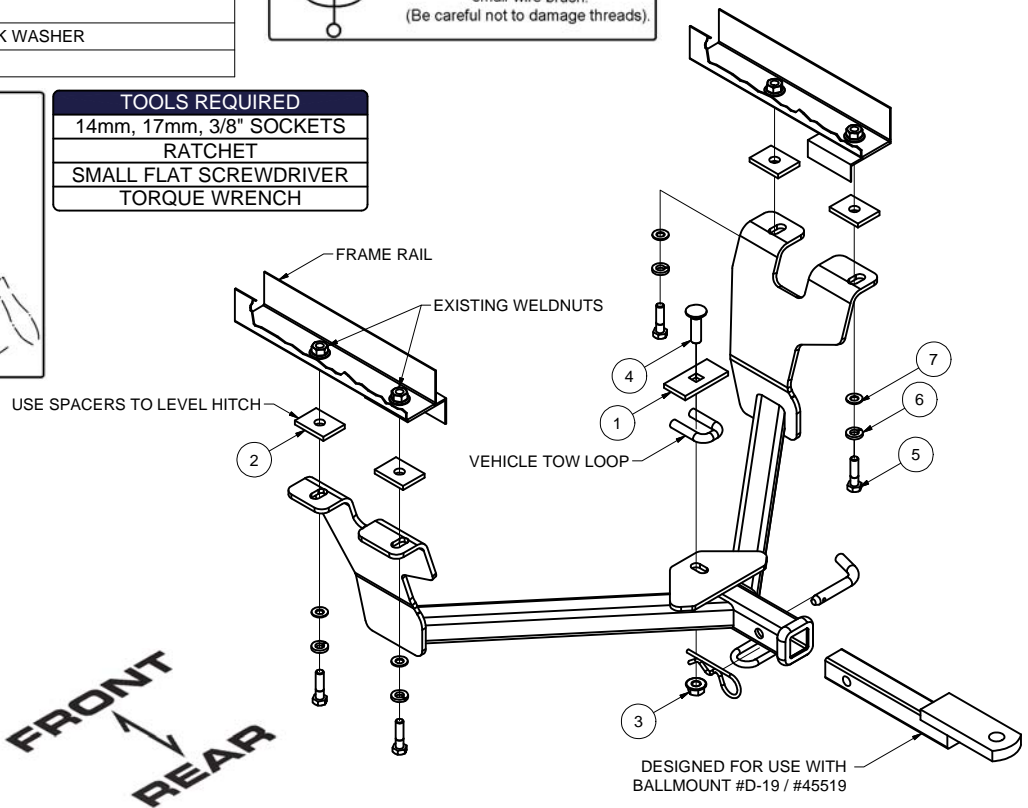
EXCLUDING OUTBACK SPORT

GROSS LOAD CAPACITY WHEN USED AS A WEIGHT CARRYING HITCH: 3,500 LBS. TRAILER WEIGHT & 300 LBS. TONGUE WEIGHT.*****DO NOT EXCEED VEHICLE MANUFACTURER'S RECOMMENDED TOWING CAPACITY.*******WARNING: ALL NON-TRAILER LOADS APPLIED TO THIS PRODUCT MUST BE SUPPORTED BY AUXILIARY STABILIZING STRAPS.****** FAILURE TO PROPERLY SUPPORT NON-TRAILER LOADS WILL VOID PRODUCT WARRANTY******HAVING INSTALLATION QUESTIONS? CALL TECHNICAL SUPPORT AT 1-800-798-0813**

		Parts List	
ITEM	QTY	PART NUMBER	DESCRIPTION
1	1	CM-SP4	.250 x 1.50 x 3.00" SQUARE HOLE SPACER
2	4	CM-SP16	.250 x 1.50 x 2.00" ROUND HOLE SPACER
3	1	HFN 1213	HEX FLANGE NUT
4	1	1/2-13 x 1 3/4	CARRIAGE BOLT
5	4	M10 - 1.25 x 40 HEX	HEX BOLT
6	4	7/16 LOCK WASHER	HELICAL LOCK WASHER
7	4	3/8"	WASHER



TOOLS REQUIRED	
14mm, 17mm, 3/8" SOCKETS	
RATCHET	
SMALL FLAT SCREWDRIVER	
TORQUE WRENCH	



HITCH WEIGHT: 27 LBS.

INSTALL TIME

PROFESSIONAL: 35 MINUTES

NOVICE (DIY): 75 MINUTES

INSTALL NOTES:

- NO DRILL
- LOWER EXHAUST
- WELDNUT PLUG REMOVAL
- BOLT REMOVAL

INSTALLATION STEPS

1. Lower exhaust from (5) hangers. (Two per per muffler and one rearward of catalytic converter)

Note: Do not allow exhaust to hang on its own. Use wire to hang exhaust with enough space to allow for hitch installation. Damage may occur to exhaust if allowed to hang too low.

Note: If installed, rear factory splash guards will need to be removed to allow room for the exhaust to hang.

2. Remove bolt from forward most part of bracket underneath frame rails for wagon models.
3. Remove plastic plugs covering weld nuts in frame rails. Raise hitch over exhaust and slide under vehicle from rear and loosely attach 1/2-13 carriage bolt and hardware through tow loop.
4. Spacer usage will vary with vehicle application. Install spacers until hitch is level.
5. Install M10 x 1.25 x 40 hex bolts and hardware into existing weld nuts.
6. Tighten 1/2-13 bolt to 75 lb.-ft. and M10 bolts to 38 lb.-ft.
7. Raise exhaust and reinstall muffler hangers.

PERIODICALLY CHECK THIS RECEIVER HITCH TO ENSURE THAT ALL FASTENERS ARE TIGHT AND THAT ALL STRUCTURAL COMPONENTS ARE SOUND.

Curt Manufacturing Inc., warrants this product to be free of defects in material and/or workmanship at the time of retail purchase by the original purchaser. If the product is found to be defective, Curt Manufacturing Inc., may repair or replace the product, at their option, when the product is returned, prepaid, with proof of purchase. Alteration to, misuse of, or improper installation of this product voids the warranty. Curt Manufacturing Inc.'s liability is limited to repair or replacement of products found to be defective, and specifically excludes liability for incidental or consequential loss or damage.