

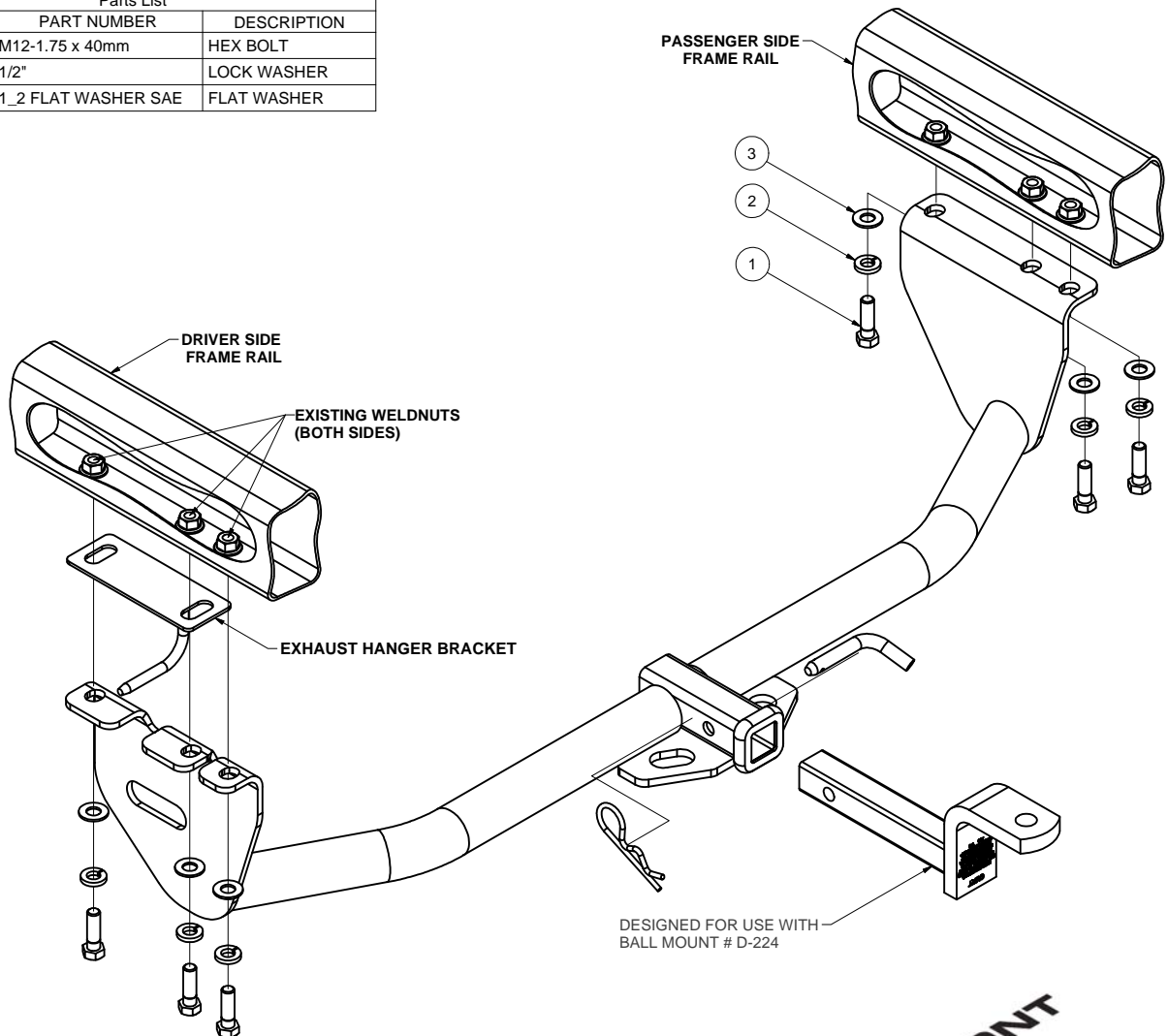
12318 / 36297**01-07 VOLVO V70, 03-07 XC70 & 01-CURRENT S60**

4/20/2011

GROSS LOAD CAPACITY WHEN USED AS A WEIGHT CARRYING HITCH: 3500 LBS. TRAILER WEIGHT & 350 LBS. TONGUE WEIGHT.

DO NOT EXCEED VEHICLE MANUFACTURER'S RECOMMENDED TOWING CAPACITY.

| Parts List | | | |
|------------|-----|---------------------|-------------|
| ITEM | QTY | PART NUMBER | DESCRIPTION |
| 1 | 6 | M12-1.75 x 40mm | HEX BOLT |
| 2 | 6 | 1/2" | LOCK WASHER |
| 3 | 6 | 1_2 FLAT WASHER SAE | FLAT WASHER |



HITCH WEIGHT: 30 LBS.

INSTALL TIME: 30 MINUTES

INSTALL NOTES:

- NO DRILLING REQ.
- REMOVE TOW HOOK
- LOOSEN MUFFLER BRACKET

INSTALLATION STEPS

1. Remove existing tow bracket on passenger side. Loosen muffler bracket on driver side removing 2 bolts.
2. Raise hitch into position under the muffler bracket. Using the supplied hardware, loosely install hitch on vehicle as shown above.
3. Torque all 12mm fasteners to 64 lb-ft.

PERIODICALLY CHECK THIS RECEIVER HITCH TO ENSURE THAT ALL FASTENERS ARE TIGHT AND THAT ALL STRUCTURAL COMPONENTS ARE SOUND.

Curt Manufacturing Inc., warrants this product to be free of defects in material and/or workmanship at the time of retail purchase by the original purchaser. If the product is found to be defective, Curt Manufacturing Inc., may repair or replace the product, at their option, when the product is returned, prepaid, with proof of purchase. Alteration to, misuse of, or improper installation of this product voids the warranty. Curt Manufacturing Inc.'s liability is limited to repair or replacement of products found to be defective, and specifically excludes liability for incidental or consequential loss or damage.