

13052**LAND ROVER LR2****8/23/2010**

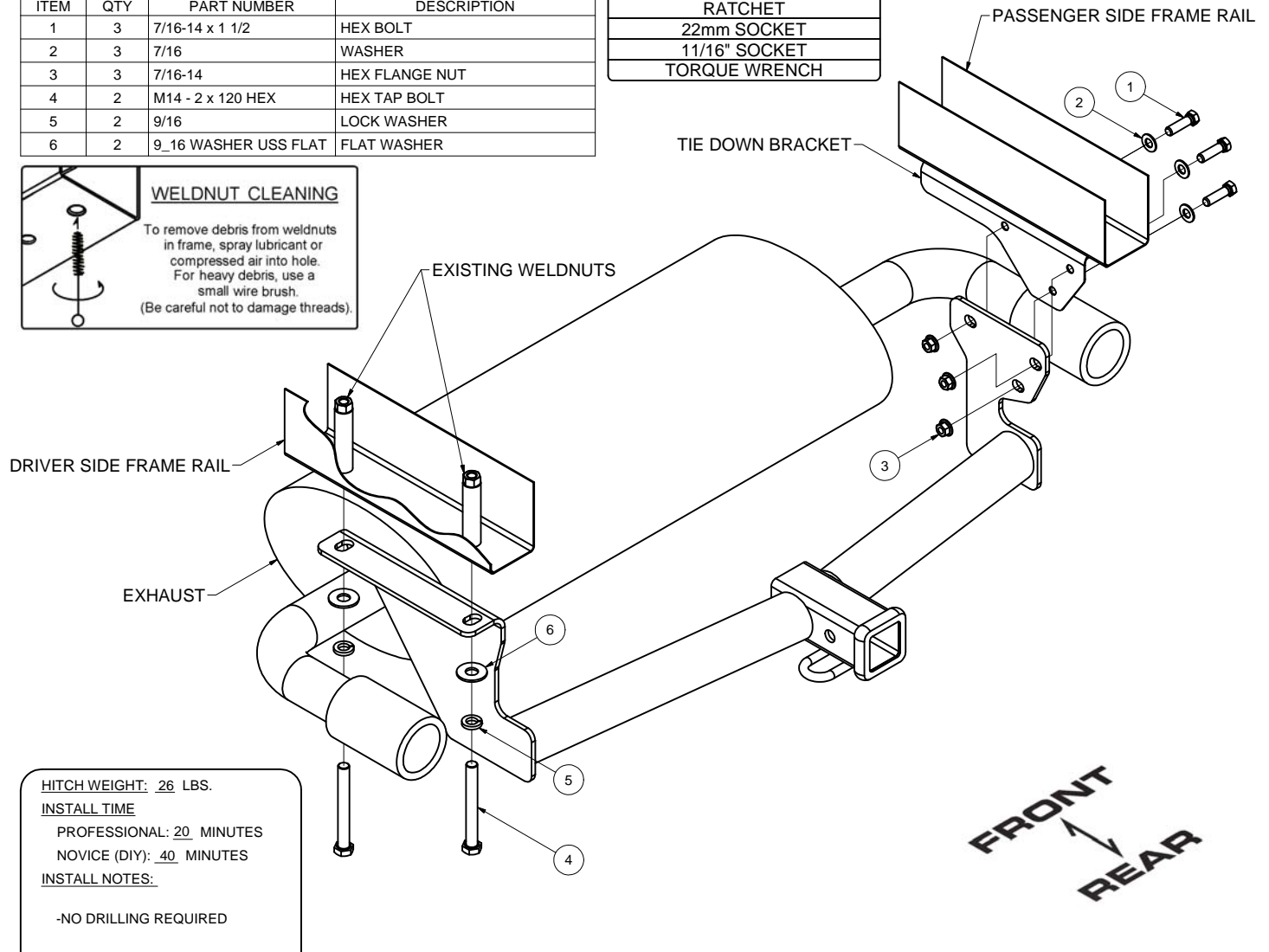
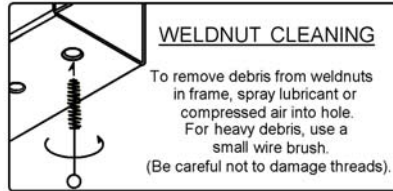
**GROSS LOAD CAPACITY WHEN USED AS A WEIGHT CARRYING HITCH: 4,000 LBS. TRAILER WEIGHT & 400 LBS. TONGUE WEIGHT.
 GROSS LOAD CAPACITY WHEN USED AS A WEIGHT DISTRIBUTION HITCH: 4,000 LBS. TRAILER WEIGHT & 400 LBS. TONGUE WEIGHT**

*****DO NOT EXCEED VEHICLE MANUFACTURER'S RECOMMENDED TOWING CAPACITY.*****

HAVING INSTALLATION QUESTIONS? CALL TECHNICAL SUPPORT AT 1-800-798-0813

Parts List			
ITEM	QTY	PART NUMBER	DESCRIPTION
1	3	7/16-14 x 1 1/2	HEX BOLT
2	3	7/16	WASHER
3	3	7/16-14	HEX FLANGE NUT
4	2	M14 - 2 x 120 HEX	HEX TAP BOLT
5	2	9/16	LOCK WASHER
6	2	9_16 WASHER USS FLAT	FLAT WASHER

TOOLS REQUIRED
RATCHET
22mm SOCKET
11/16" SOCKET
TORQUE WRENCH



HITCH WEIGHT: 26 LBS.
INSTALL TIME
 PROFESSIONAL: 20 MINUTES
 NOVICE (DIY): 40 MINUTES
INSTALL NOTES:
 -NO DRILLING REQUIRED

INSTALLATION STEPS

1. It may be necessary to clean the existing weldnuts on the driver side frame rail. (See WELDNUT CLEANING diagram above)
2. Raise hitch over the exhaust on the driver side and install a M14 bolt in the rearmost existing weldnut.
3. Attach passenger side of hitch to the vehicle tie down bracket on passenger side frame rail using the 7/16" hardware, as shown above.
4. Install the remaining M14 bolt in the driver side plate. NOTE: Exhaust may need to be pushed forward for this bolt to be installed.
5. Torque all M14 hardware to 105 ft-lbs. and all 7/16" hardware to 50 ft-lbs.

PERIODICALLY CHECK THIS RECEIVER HITCH TO ENSURE THAT ALL FASTENERS ARE TIGHT AND THAT ALL STRUCTURAL COMPONENTS ARE SOUND.

Curt Manufacturing Inc., warrants this product to be free of defects in material and/or workmanship at the time of retail purchase by the original purchaser. If the product is found to be defective, Curt Manufacturing Inc., may repair or replace the product, at their option, when the product is returned, prepaid, with proof of purchase. Alteration to, misuse of, or improper installation of this product voids the warranty. Curt Manufacturing Inc.'s liability is limited to repair or replacement of products found to be defective, and specifically excludes liability for incidental or consequential loss or damage.