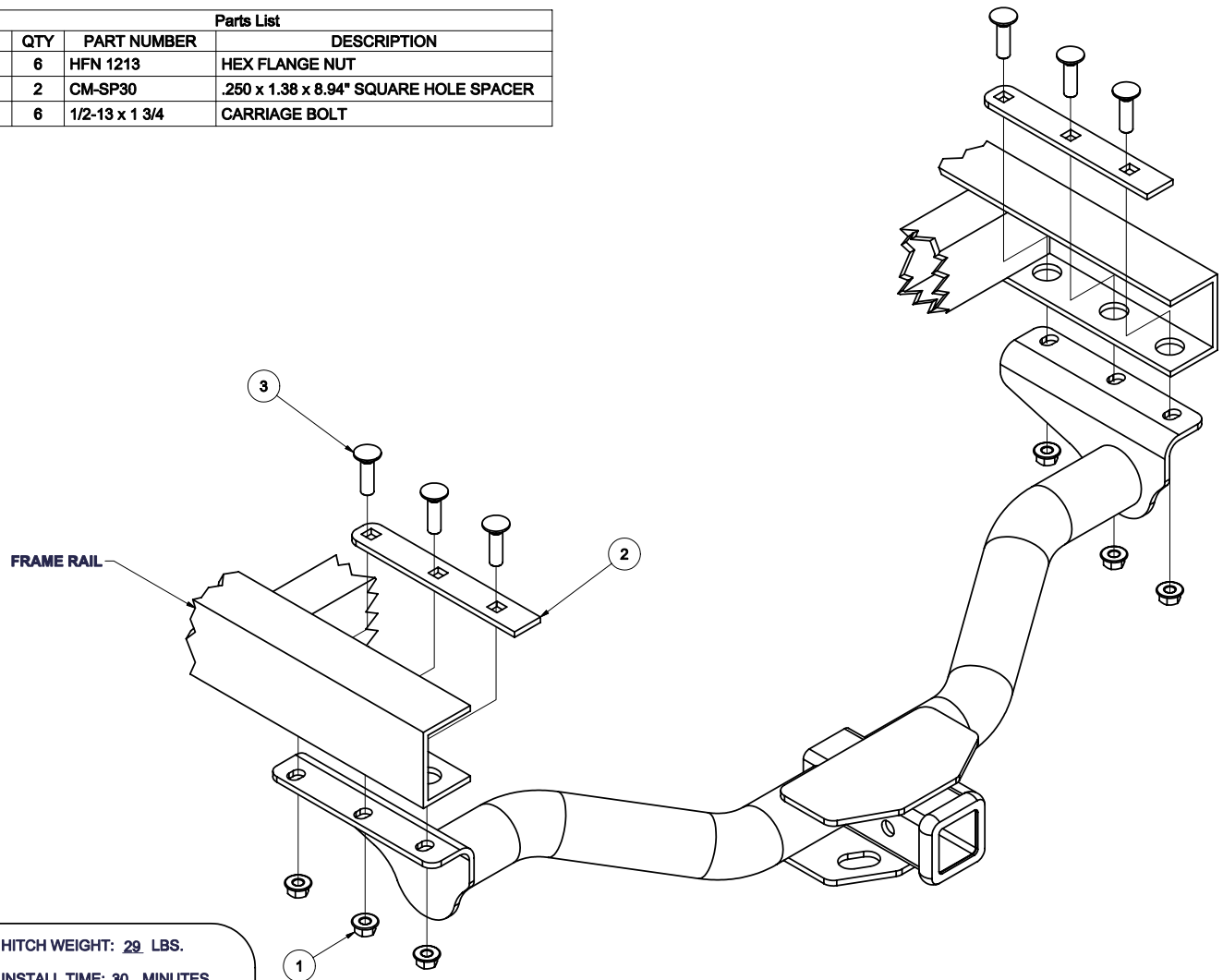


13183 / 757231**00-04 NISSAN XTERRA****3/4/2009**

**GROSS LOAD CAPACITY WHEN USED AS A WEIGHT CARRYING HITCH: 4,000 LBS. TRAILER WEIGHT & 400 LBS. TONGUE WEIGHT.
 GROSS LOAD CAPACITY WHEN USED AS A WEIGHT DISTRIBUTION HITCH: 6,000 LBS. TRAILER WEIGHT & 600 LBS. TONGUE WEIGHT**

*****DO NOT EXCEED VEHICLE MANUFACTURER'S RECOMMENDED TOWING CAPACITY.*****

Parts List			
ITEM	QTY	PART NUMBER	DESCRIPTION
1	6	HFN 1213	HEX FLANGE NUT
2	2	CM-SP30	.250 x 1.38 x 8.94" SQUARE HOLE SPACER
3	6	1/2-13 x 1 3/4	CARRIAGE BOLT



HITCH WEIGHT: 29 LBS.
 INSTALL TIME: 30 MINUTES
 INSTALL NOTES:
 NO DRILLING REQUIRED

INSTALLATION STEPS

- 1) Lower spare tire and remove exhaust from rearmost hanger.
- 2) Place square hole spacer and carriage bolts inside frame as shown.
 Note: Square end of spacer must be positioned to the rear of the vehicle.
- 3) Raise hitch into position and fasten on with 1/2" flange nuts.
- 4) Torque all fasteners to 75 lb.-ft.
- 5) Reinstall spare tire.

PERIODICALLY CHECK THIS RECEIVER HITCH TO ENSURE THAT ALL FASTENERS ARE TIGHT AND THAT ALL STRUCTURAL COMPONENTS ARE SOUND.

Curt Manufacturing Inc., warrants this product to be free of defects in material and/or workmanship at the time of retail purchase by the original purchaser. If the product is found to be defective, Curt Manufacturing Inc., may repair or replace the product, at their option, when the product is returned, prepaid, with proof of purchase. Alteration to, misuse of, or improper installation of this product voids the warranty. Curt Manufacturing Inc.'s liability is limited to repair or replacement of products found to be defective, and specifically excludes liability for incidental or consequential loss or damage.