

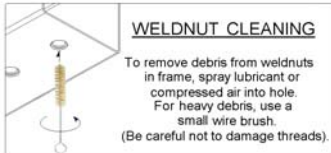
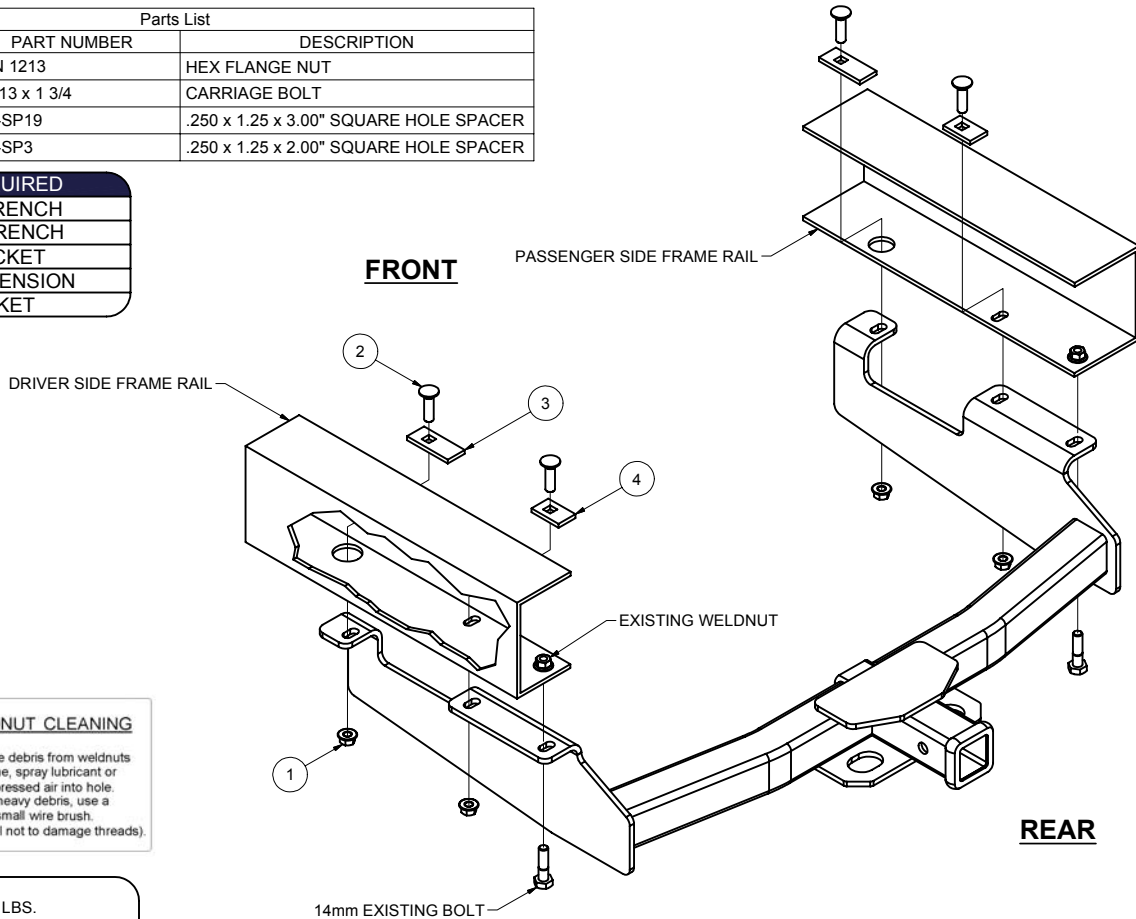
**13213****2001-CURRENT CHEVY/GMC 2500/3500 HD LONG BED  
COMPATIBLE WITH TOMMYGATE****4/24/2009**

GROSS LOAD CAPACITY WHEN USED AS A WEIGHT CARRYING HITCH: 8,000 LBS. TRAILER WEIGHT & 800 LBS. TONGUE WEIGHT.  
 GROSS LOAD CAPACITY WHEN USED AS A WEIGHT DISTRIBUTION HITCH: 12,000 LBS. TRAILER WEIGHT & 1,200 LBS. TONGUE WEIGHT

**\*\*\* DO NOT EXCEED VEHICLE MANUFACTURER'S RECOMMENDED TOWING CAPACITY.\*\*\***

Parts List			
ITEM	QTY	PART NUMBER	DESCRIPTION
1	4	HFN 1213	HEX FLANGE NUT
2	4	1/2-13 x 1 3/4	CARRIAGE BOLT
3	2	CM-SP19	.250 x 1.25 x 3.00" SQUARE HOLE SPACER
4	2	CM-SP3	.250 x 1.25 x 2.00" SQUARE HOLE SPACER

TOOLS REQUIRED
SOCKET WRENCH
TORQUE WRENCH
21MM SOCKET
SOCKET EXTENSION
3/4" SOCKET



HITCH WEIGHT: 50 LBS.  
 INSTALL TIME: 30 MINUTES  
 INSTALL NOTES:  
 SPARE TIRE REMOVAL  
 BUMPER BRACKET BOLT REMOVAL  
 NO DRILLING REQUIRED

**INSTALLATION STEPS**

1. Remove spare tire for ease of installation.
2. Remove existing 14mm bolt from bumper bracket on both sides. Save bolt for reinstallation in Step 4.
3. Raise hitch and align it with the weldnuts from the 14mm bolts removed in Step 2.
4. Reinstall 14mm bolts in both sides.
5. Install 1/2-13 carriage bolt and CM-SP19 in forwardmost holes. Install 1/2-13 carriage bolt and CM-SP3 spacer in middle holes. Install 1/2-13 hex flange nuts onto carriage bolts as shown.
6. Reinstall spare tire.
7. Torque 1/2" hardware to 75 lb-ft. and 14mm hardware to 94 lb-ft.

**PERIODICALLY CHECK THIS RECEIVER HITCH TO ENSURE THAT ALL FASTENERS ARE TIGHT AND THAT ALL STRUCTURAL COMPONENTS ARE SOUND.**

Curt Manufacturing Inc., warrants this product to be free of defects in material and/or workmanship at the time of retail purchase by the original purchaser. If the product is found to be defective, Curt Manufacturing Inc., may repair or replace the product, at their option, when the product is returned, prepaid, with proof of purchase. Alteration to, misuse of, or improper installation of this product voids the warranty. Curt Manufacturing Inc.'s liability is limited to repair or replacement of products found to be defective, and specifically excludes liability for incidental or consequential loss or damage.