

13268

VOLVO XC60

9/3/2009

PAGE 1 of 2

GROSS LOAD CAPACITY WHEN USED AS A WEIGHT CARRYING HITCH: 4,000 LBS. TRAILER WEIGHT & 400 LBS. TONGUE WEIGHT.
GROSS LOAD CAPACITY WHEN USED AS A WEIGHT DISTRIBUTION HITCH: 4,500 LBS. TRAILER WEIGHT & 450 LBS. TONGUE WEIGHT

DO NOT EXCEED VEHICLE MANUFACTURER'S RECOMMENDED TOWING CAPACITY.

HAVING INSTALLATION QUESTIONS? CALL TECHNICAL SUPPORT AT 1-800-798-0813

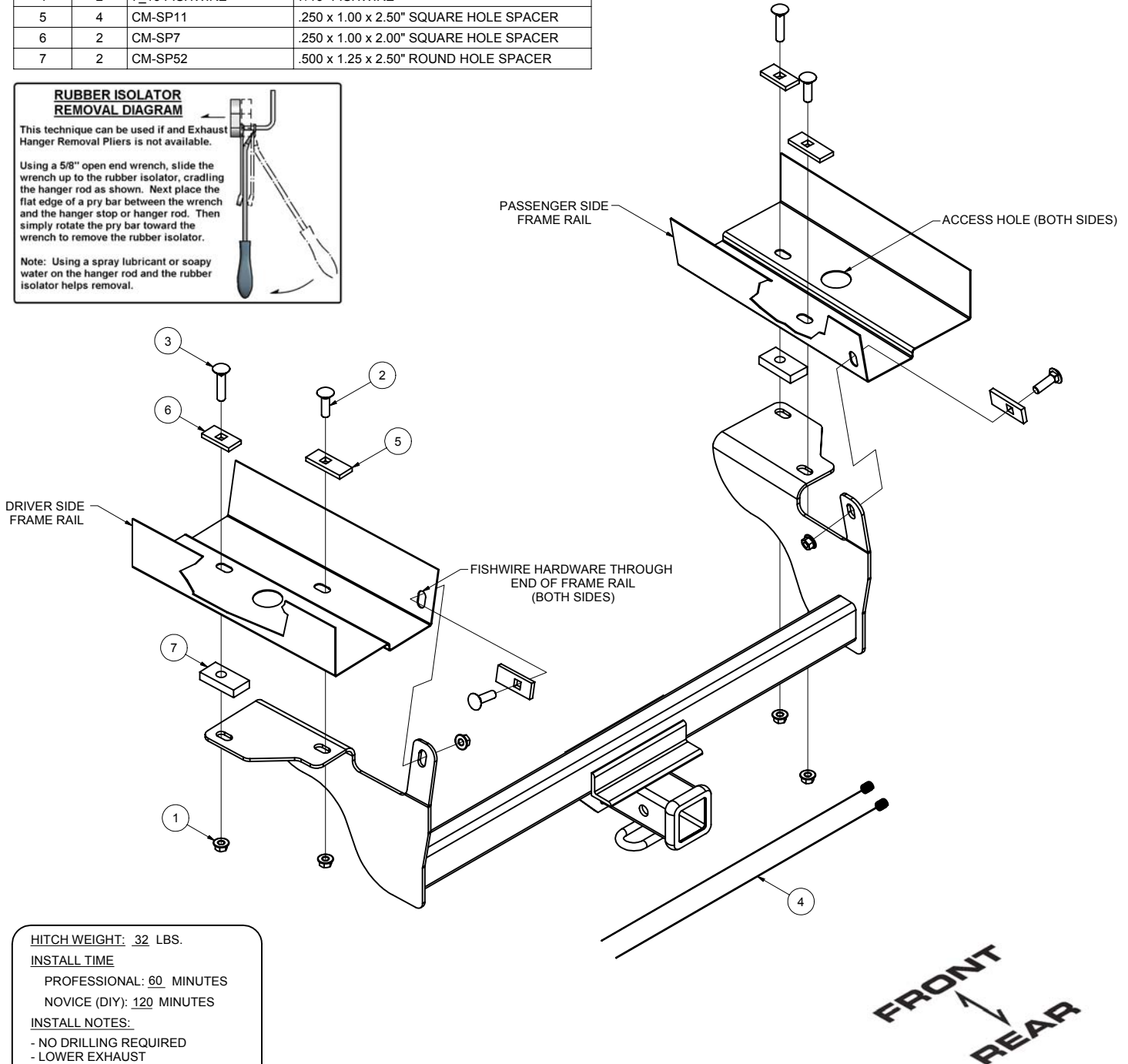
Parts List			
ITEM	QTY	PART NUMBER	DESCRIPTION
1	6	7/16-14	HEX FLANGE NUT
2	4	7/16-14 x 1 1/2	CARRIAGE BOLT
3	2	7/16-14 x 2	CARRIAGE BOLT
4	2	7_16 FISHWIRE	7/16" FISHWIRE
5	4	CM-SP11	.250 x 1.00 x 2.50" SQUARE HOLE SPACER
6	2	CM-SP7	.250 x 1.00 x 2.00" SQUARE HOLE SPACER
7	2	CM-SP52	.500 x 1.25 x 2.50" ROUND HOLE SPACER

RUBBER ISOLATOR REMOVAL DIAGRAM

This technique can be used if and Exhaust Hanger Removal Pliers is not available.

Using a 5/8" open end wrench, slide the wrench up to the rubber isolator, cradling the hanger rod as shown. Next place the flat edge of a pry bar between the wrench and the hanger stop or hanger rod. Then simply rotate the pry bar toward the wrench to remove the rubber isolator.

Note: Using a spray lubricant or soapy water on the hanger rod and the rubber isolator helps removal.



HITCH WEIGHT: 32 LBS.

INSTALL TIME

PROFESSIONAL: 60 MINUTES

NOVICE (DIY): 120 MINUTES

INSTALL NOTES:

- NO DRILLING REQUIRED
- LOWER EXHAUST
- FISHWIRE HARDWARE
- HEAT SHIELD TRIMMING REQUIRED

PERIODICALLY CHECK THIS RECEIVER HITCH TO ENSURE THAT ALL FASTENERS ARE TIGHT AND THAT ALL STRUCTURAL COMPONENTS ARE SOUND.

Curt Manufacturing Inc., warrants this product to be free of defects in material and/or workmanship at the time of retail purchase by the original purchaser. If the product is found to be defective, Curt Manufacturing Inc., may repair or replace the product, at their option, when the product is returned, prepaid, with proof of purchase. Alteration to, misuse of, or improper installation of this product voids the warranty. Curt Manufacturing Inc.'s liability is limited to repair or replacement of products found to be defective, and specifically excludes liability for incidental or consequential loss or damage.

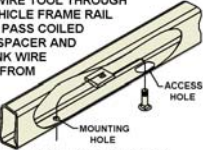
GROSS LOAD CAPACITY WHEN USED AS A WEIGHT CARRYING HITCH: 4,000 LBS. TRAILER WEIGHT & 400 LBS. TONGUE WEIGHT.
 GROSS LOAD CAPACITY WHEN USED AS A WEIGHT DISTRIBUTION HITCH: 4,500 LBS. TRAILER WEIGHT & 450 LBS. TONGUE WEIGHT

***** DO NOT EXCEED VEHICLE MANUFACTURER'S RECOMMENDED TOWING CAPACITY.*****

HAVING INSTALLATION QUESTIONS? CALL TECHNICAL SUPPORT AT 1-800-798-0813

FISHWIRE TECHNIQUE

INSERT COILED END OF FISHWIRE TOOL THROUGH HITCH MOUNTING HOLE IN VEHICLE FRAME RAIL AND OUT THE ACCESS HOLE. PASS COILED END OF FISHWIRE THROUGH SPACER AND THREAD BOLT INTO COIL. KINK WIRE TO KEEP SPACER SEPERATE FROM BOLT AS SHOWN. PULL FISHWIRE, SPACER, AND BOLT THROUGH FRAME AND OUT MOUNTING HOLE. USE FISHWIRE TO GUIDE HITCH DURING MOUNTING AND PREVENT LOSS OF BOLT / SPACER INSIDE FRAME RAIL.



NOTE: SOME VEHICLES MAY FISHWIRE THROUGH END OF FRAME

TOOLS REQUIRED

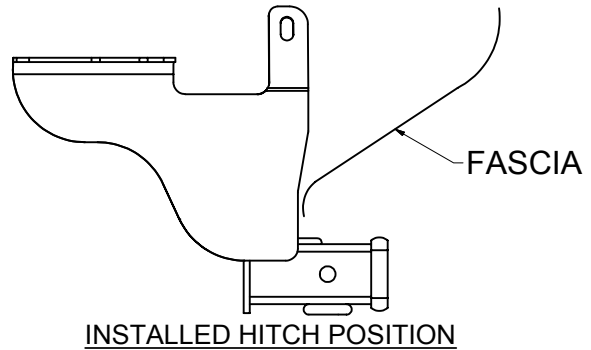
SOCKET WRENCH

11/16" SOCKET

13mm SOCKET

TORQUE WRENCH

AVIATION SHEARS



INSTALLATION STEPS

1. Lower exhaust by removing rubber isolator(s) from muffler(s). (See RUBBER ISOLATOR REMOVAL DIAGRAM.)
2. Remove exhaust hanger for ease of heat shield trimming. Save exhaust hanger for reinstallation in Step 14.
3. Trim heat shields (one per side) to provide clearance around hitch side plates.
4. Remove tape covering holes on bottom and sides of each frame rail. Save tape for reuse in Step 13.
5. Fishwire 7/16-14 x 1 1/2" carriage bolts and CM-SP11 spacers through access hole in frame rails and out middle mounting hole for hitch. (See FISHWIRE TECHNIQUE diagram.)
6. Raise hitch into position over exhaust and secure hitch with hand tightened 7/16" hex flange nuts, as shown.
7. Slide CM-SP52 spacers into position between hitch side plates and frame rails for front mounting holes, as shown.
8. Fishwire 7/16-14 x 2" carriage bolts and CM-SP7 spacers through access holes and out front mounting holes, as shown. (See FISHWIRE TECHNIQUE diagram.)
9. Install hand tightened 7/16" hex flange nuts onto hardware from Step 8.
10. Fishwire 7/16-14 x 2" carriage bolts and CM-SP7 spacer through rear of frame rails and out mounting holes on sides of rails, as shown. (See FISHWIRE TECHNIQUE diagram.)
11. Install hand tightened 7/16" hex flange nuts onto hardware from Step 10.
12. Torque 7/16" hardware to 50 lb-ft.
13. Cut tape removed in Step 4 into strips to cover unused holes exposed in frame rails.
14. Reinstall exhaust hanger removed in Step 2.
15. Raise exhaust back into position and reinstall rubber isolators removed in Step 1.

PERIODICALLY CHECK THIS RECEIVER HITCH TO ENSURE THAT ALL FASTENERS ARE TIGHT AND THAT ALL STRUCTURAL COMPONENTS ARE SOUND.