

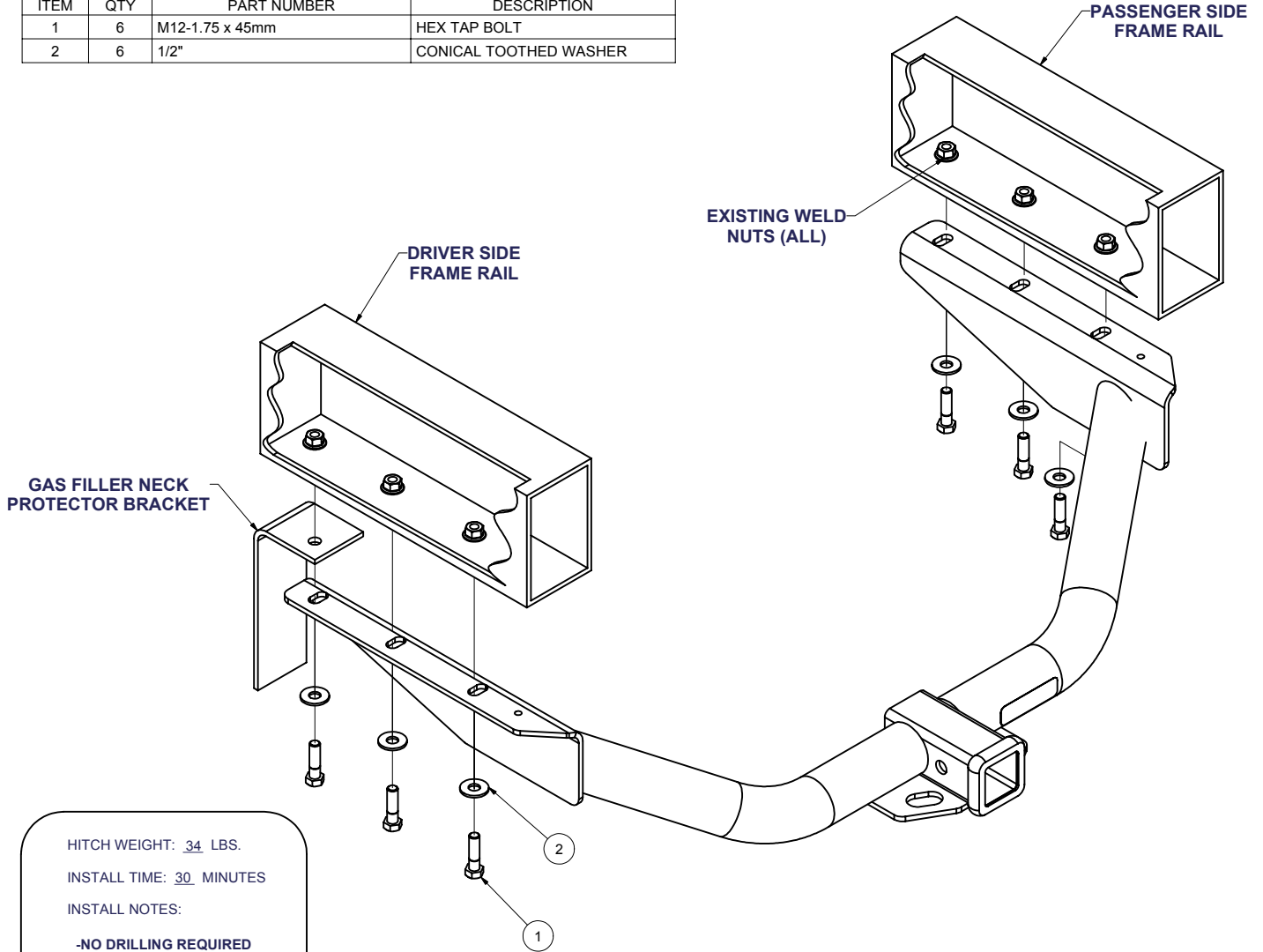
13334

DODGE NITRO, NITRO SLT, NITRO R/T

2/11/2009

GROSS LOAD CAPACITY WHEN USED AS A WEIGHT CARRYING HITCH: 3500 LBS. TRAILER WEIGHT & 350 LBS. TONGUE WEIGHT. GROSS LOAD CAPACITY WHEN USED AS A WEIGHT DISTRIBUTION HITCH: 5000 LBS. TRAILER WEIGHT & 500 LBS. TONGUE WEIGHT
DO NOT EXCEED VEHICLE MANUFACTURER'S RECOMMENDED TOWING CAPACITY.

Parts List			
ITEM	QTY	PART NUMBER	DESCRIPTION
1	6	M12-1.75 x 45mm	HEX TAP BOLT
2	6	1/2"	CONICAL TOOTHED WASHER



HITCH WEIGHT: 34 LBS.
 INSTALL TIME: 30 MINUTES
 INSTALL NOTES:
 -NO DRILLING REQUIRED

INSTALLATION STEPS

- 1) Remove the tow hook from bottom of driver side vehicle frame. Discard the attaching bolts and tow hook. Remove the bolt holding gas filler neck protector bracket to frame.
- 2) Raise hitch into position with gas filler neck protector bracket between hitch and frame and align holes in hitch to the holes in frame as shown.
- 3) Fasten hitch to frame with M12 bolts and 1/2" conical toothed washers. Finger tight only.
- 4) Torque all M12 bolts to 65 ft.-lbs.
- 5) Return tow hook to customer.

PERIODICALLY CHECK THIS RECEIVER HITCH TO ENSURE THAT ALL FASTENERS ARE TIGHT AND THAT ALL STRUCTURAL COMPONENTS ARE SOUND.

Curt Manufacturing Inc., warrants this product to be free of defects in material and/or workmanship at the time of retail purchase by the original purchaser. If the product is found to be defective, Curt Manufacturing Inc., may repair or replace the product, at their option, when the product is returned, prepaid, with proof of purchase. Alteration to, misuse of, or improper installation of this product voids the warranty. Curt Manufacturing Inc.'s liability is limited to repair or replacement of products found to be defective, and specifically excludes liability for incidental or consequential loss or damage.