

# FRONT MOUNTED RECEIVER INSTALLATION INSTRUCTIONS

VEHICLE

RECEIVER NO.

TAHOE, YUKON, FULL SIZE BLAZER  
CHEVY/GMC PICKUP, SUBURBAN,  
1500 SERIES-ALL 2WD & 4WD  
2500 & 3500 SERIES-4WD  
2500 SERIES 2WD  
7200# GVW W/6 LUG WHEELS

13505

## EQUIPMENT REQUIRED:

DRILL BITS: 1/2"

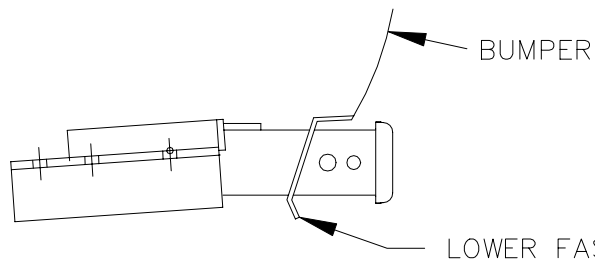
HITCH REQUIRES 5/8" PIN AND CLIP IF STABILIZING PIN IS NOT INSTALLED.

WRENCHES: (TIGHTEN ALL FASTENERS WITH TORQUE WRENCH) 10mm, 18mm, 7/8"

CARGO CAPACITY – DO NOT EXCEED  
500 LB. OR VEHICLE FRONT GROSS  
AXLE WEIGHT RATING. (GAWR)

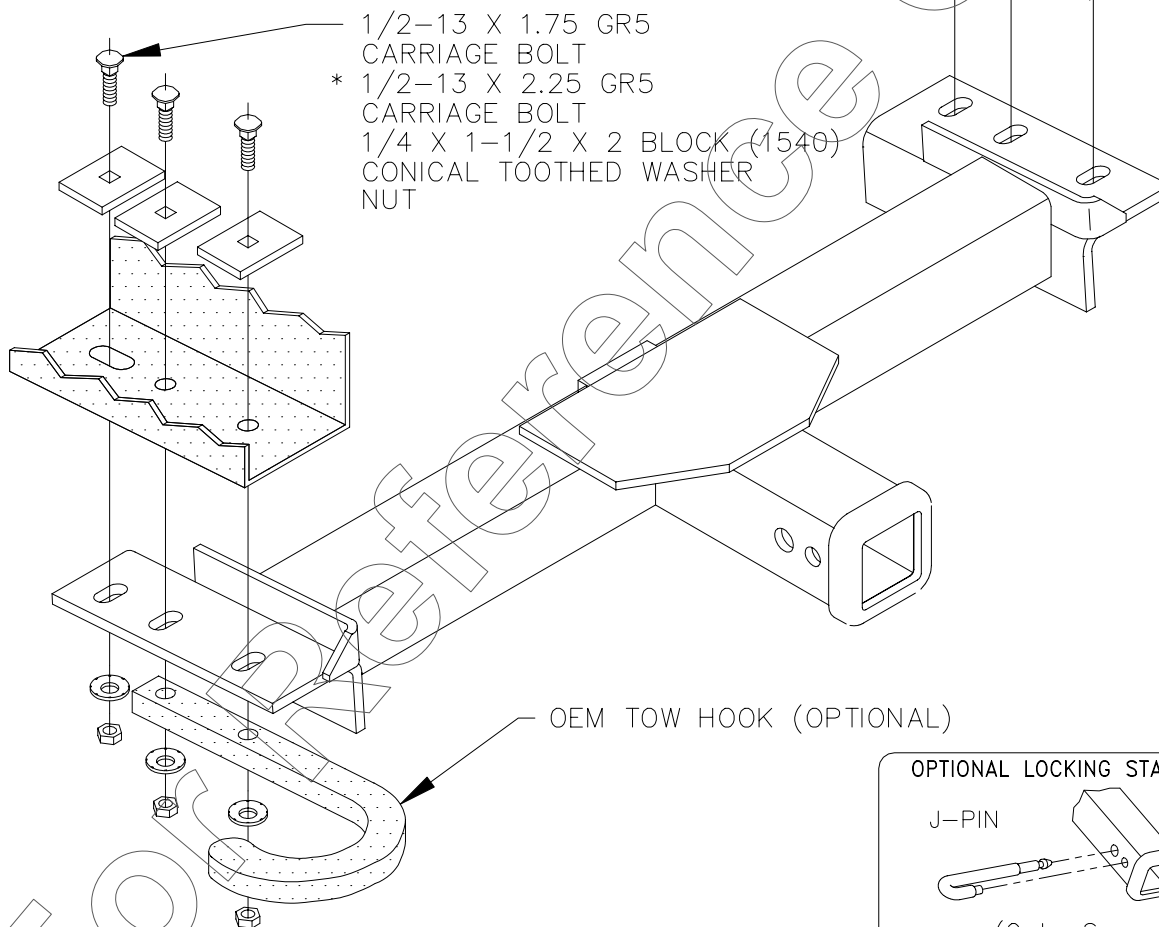
9000

LB. MAX. WINCH LINE PULL



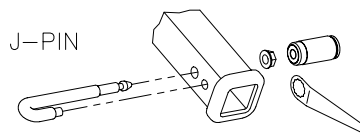
MAY NEED TO BE DRILLED  
ON SOME VEHICLES

## RECEIVER SHOWN IN PROPER POSITION



## OPTIONAL LOCKING STABILIZING PIN

J-PIN



(Order Separately)

\* USE WITH OPTIONAL OEM TOW HOOK

NOTE: IF FRONT MOUNTED LICENSE PLATE IS PRESENT, REPOSITIONING MAY BE NECESSARY.

1. IF PRESENT, REMOVE LOWER FASCIA UNDER BUMPER.
2. IF PRESENT, REMOVE VEHICLE TOW HOOKS.
3. FISH WIRE THE FASTENERS SHOWN ABOVE THRU END OF FRAME.
4. RAISE HITCH INTO POSITION AND ATTACH FASTENERS AND TOW HOOKS AS SHOWN ABOVE.
5. IF LARGE SLOT IS NOT PRESENT, DRILL A 1/2" HOLE USING THE HITCH AS A TEMPLATE.
6. IF DESIRED, TRIM AND REINSTALL THE LOWER FASCIA. **CONSULT VEHICLE OWNER BEFORE TRIMMING.**

TIGHTEN ALL 1/2 GR5 FASTENERS TO 75 LB-FT.

APPROX WEIGHT: 32 LB. / 14.5 KG

NOTE: Check receiver frequently, making sure all fasteners are properly tightened. A receiver which has been damaged should be removed and replaced. Observe safety precautions when working beneath a vehicle and wear eye protection.

**WARNING:** DO NOT CUT ACCESS OR ATTACHMENT HOLES WITH A TORCH.  
DO NOT CUT, WELD, OR MODIFY RECEIVER.

Reese Products, INC.  
Elkhart, IN.  
Oakville, ONT. Canada