

FRONT MOUNTED RECEIVER INSTALLATION INSTRUCTIONS

EQUIPMENT REQUIRED: RIVET GUN, SIDE CUTTERS, T-20 TORX® DRIVER

DRILL BITS: 1/2

HITCH REQUIRES 5/8" PIN AND CLIP IF STABILIZING PIN IS NOT INSTALLED.

WRENCHES: (TIGHTEN ALL FASTENERS WITH TORQUE WRENCH) 3/4, 10mm

CARGO CAPACITY – DO NOT EXCEED
500 LB. OR VEHICLE FRONT GROSS
AXLE WEIGHT RATING. (GAWR)

9000 LB. MAX. WINCH LINE PULL

FRAME RAIL

FASCIA

RECEIVER SHOWN IN
PROPER POSITION

DRILLED HOLE

FRAME RAIL END CAP

FRAME RAIL

FRAME CROSSMEMBER

7/16-14 X 1.50 GR5
CARRIAGE BOLT
3/16 X 1 X 2 BLOCK (3837)
LOCKWASHER
NUT

ENLARGE EXISTING HOLES

LOOSEN FENDER FLARE

REMOVE GRILLE

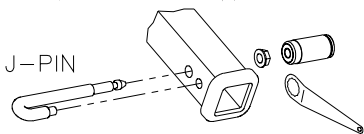
FRAME RAIL
END CAP

REMOVE FASCIA

LOOSEN FENDER FLARE

OPTIONAL LOCKING STABILIZING PIN

J-PIN



(Order Separately)

TIGHTEN ALL 7/16-14 GR5 FASTENERS TO 50 LB-FT.

APPROX WEIGHT (LB.)

30

FASTENER KIT

F65042

NOTE: Check hitch frequently, making sure all fasteners and ball are properly tightened. If hitch is removed, plug all holes in trunk pan or other body panels to prevent entry of water and exhaust fumes. A hitch or ball which has been damaged should be removed and replaced. Observe safety precautions when working beneath a vehicle and wear eye protection. Follow car maker's specs for maximum trailer weight and tongue weight. Do not cut access or attachment holes with a torch.

TOWING PRODUCTS
Plymouth, Michigan

FRONT MOUNTED RECEIVER INSTALLATION INSTRUCTIONS

VEHICLE

HITCH NO.

JEEP LIBERTY

65042
13542

EQUIPMENT REQUIRED: RIVET GUN, SIDE CUTTERS, T-20 TORX® DRIVER

DRILL BITS: 1/2

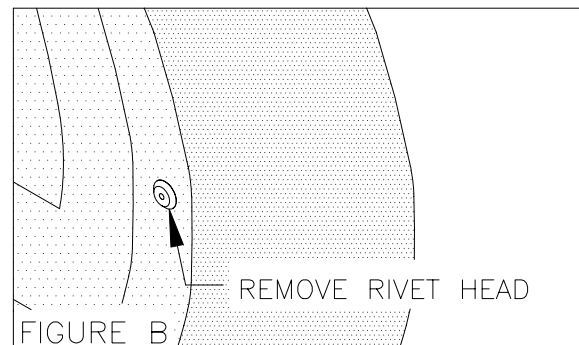
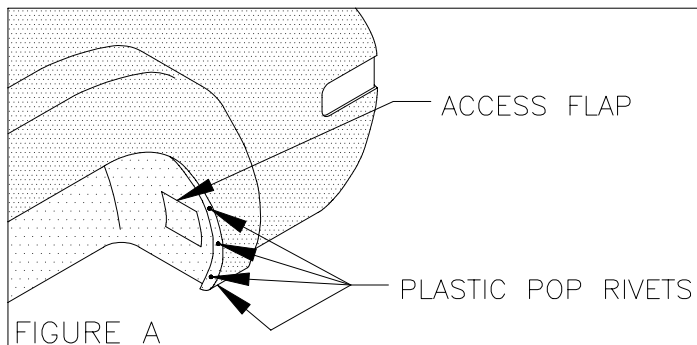
HITCH REQUIRES 5/8" PIN AND CLIP IF STABILIZING PIN IS NOT INSTALLED.

WRENCHES: (TIGHTEN ALL FASTENERS WITH TORQUE WRENCH) 3/4, 10mm

NOTE: THE VEHICLE'S GRILLE AND FASCIA MUST BE REMOVED AND THE FENDER FLARES MUST BE PARTIALLY DISCONNECTED.

1. OPEN HOOD OF VEHICLE AND REMOVE FOUR (4) T-20 TORX® SCREWS FROM TOP OF GRILLE
2. TILT TOP OF GRILLE OUTWARD AND UPWARD TO UNCLIP TABS ON BOTTOM OF GRILLE.
3. DISCONNECT TURN SIGNAL WIRING HARNESS.
4. REMOVE FOUR (4) FRONT MOST PLASTIC RIVETS FROM EACH FENDER FLARE, STARTING WITH THE ONE ATTACHED TO THE UNDERSIDE OF THE BUMPER (SEE FIGURE A).

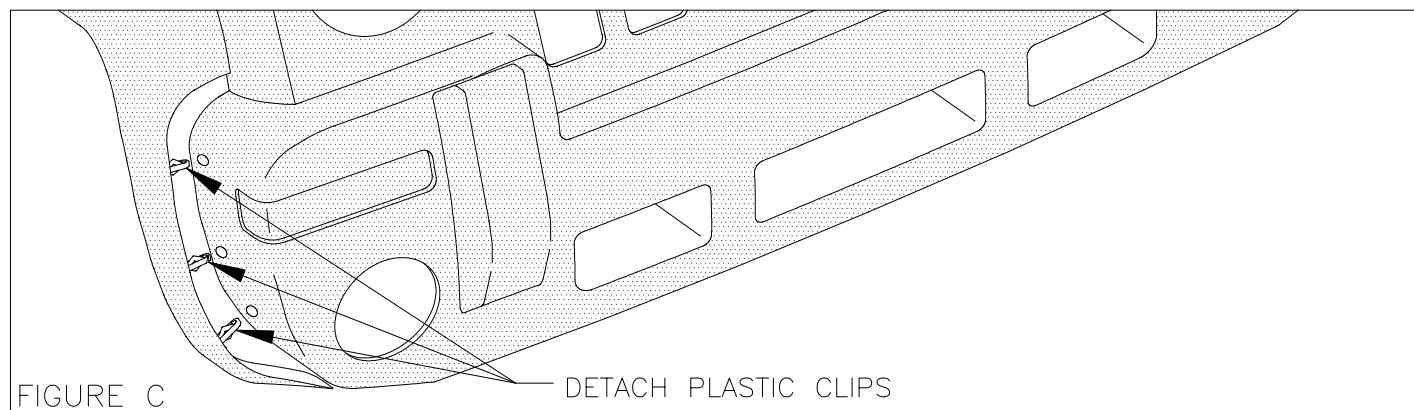
NOTE: REMOVE HEAD OF RIVET WITH SIDE CUTTERS, PUSH OR PUNCH OUT CENTER PLUG AND THEN REMOVE BODY OF RIVET (SEE FIGURE B).



5. REMOVE TWO (2) 6mm SCREWS FROM UNDERSIDE OF FASCIA.
6. DETACH THREE (3) FRONT MOST PLASTIC CLIPS THAT ATTACH FENDER FLARES TO BODY AND FASCIA (SEE FIGURE C).

NOTE: CLIPS CAN BE ACCESSED THROUGH ACCESS FLAP IN WHEEL WELL DIRECTLY REARWARD OF FOG LAMP/AIR LOUVER (SEE ABOVE).

NOTE: ACCESS TO FLAP CAN BE IMPROVED IF WHEELS ARE TURNED TO THE RIGHT ON THE PASSENGER SIDE AND TO THE LEFT ON THE DRIVERS SIDE.



7. REMOVE TOPSIDE CLIPS FROM FASCIA (SAVE) AND LIFT OFF FASCIA.
8. REMOVE TWO (2) 6mm BOLTS AND UNIBODY FRAME RAIL END CAPS.
9. ENLARGE FOUR (4) EXISTING HOLES IN FRAME RAILS TO 1/2".
10. FISHWIRE BLOCKS AND 7/16" CARRIAGE BOLTS THRU ENDS OF FRAME RAILS INTO DRILLED HOLES.
11. RAISE HITCH INTO POSITION AND ATTACH LOCKWASHERS AND NUTS AS SHOWN.
12. USING INSTALLED HITCH AS A TEMPLATE DRILL TWO (2) 1/2" HOLES IN FRAME RAILS.
13. FISHWIRE REMAING BLOCKS AND 7/16" BOLTS THRU ENDS OF FRAME RAILS INTO HOLES AND ATTACH LOCKWASHERS AND 7/16" NUTS AS SHOWN.
14. REINSTALL UNIBODY FRAME RAIL END CAPS AND BOLTS.
15. RECONNECT TURN SIGNAL WIRING HARNESS.
16. REINSTALL FASCIA, FENDER FLARES AND GRILLE.
17. REATTACH FENDER FLARE CLIPS AND INSTALL RIVETS (REPLACEMENT RIVETS ARE SUPPLIED).

APPROX WEIGHT (LB.)

FASTENER KIT

30

F65042

NOTE: Check hitch frequently, making sure all fasteners and ball are properly tightened. If hitch is removed, plug all holes in trunk pan or other body panels to prevent entry of water and exhaust fumes. A hitch or ball which has been damaged should be removed and replaced. Observe safety precautions when working beneath vehicle and wear eye protection. Follow car maker's specs for maximum trailer weight and tongue weight. Do not cut access or attachment holes with a torch.

TOWING PRODUCTS
Plymouth, Michigan