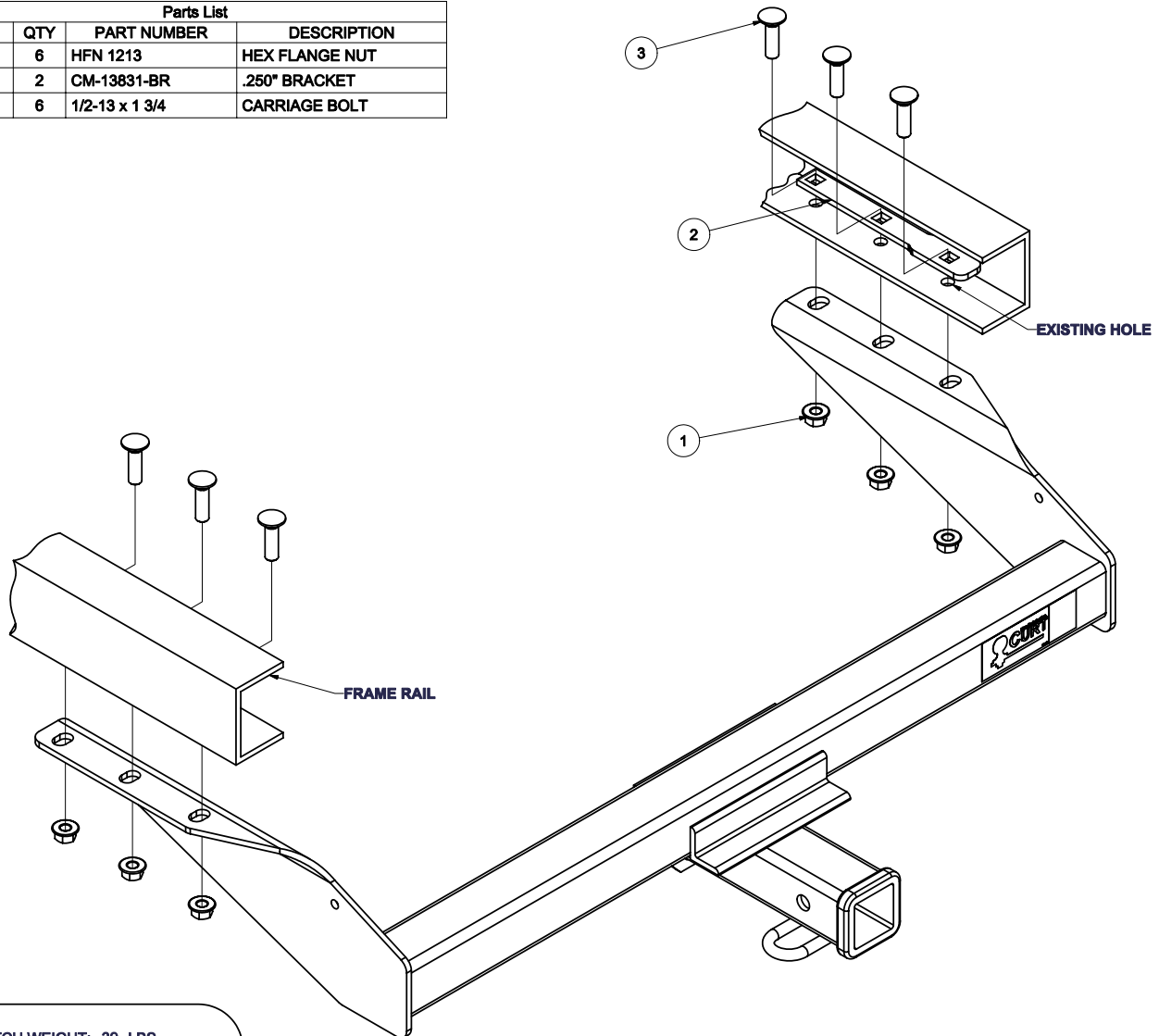


**13831****2000-04 NISSAN FRONTIER 2DR (SHORT BOX)**

11/4/2006

**GROSS LOAD CAPACITY WHEN USED AS A WEIGHT CARRYING HITCH: 5,000 LBS. TRAILER WEIGHT & 500 LBS. TONGUE WEIGHT.  
 GROSS LOAD CAPACITY WHEN USED AS A WEIGHT DISTRIBUTION HITCH: 6,000 LBS. TRAILER WEIGHT & 600 LBS. TONGUE WEIGHT  
 \*\*\*DO NOT EXCEED VEHICLE MANUFACTURER'S RECOMMENDED TOWING CAPACITY.\*\*\***

| Parts List |     |                |                |
|------------|-----|----------------|----------------|
| ITEM       | QTY | PART NUMBER    | DESCRIPTION    |
| 1          | 6   | HFN 1213       | HEX FLANGE NUT |
| 2          | 2   | CM-13831-BR    | .250" BRACKET  |
| 3          | 6   | 1/2-13 x 1 3/4 | CARRIAGE BOLT  |

HITCH WEIGHT: 39 LBS.INSTALL TIME: 20 MINUTES

INSTALL NOTES:

**NO DRILLING REQUIRED****INSTALLATION STEPS**

- 1) Raise the hitch into position at end of vehicle frame.
- 2) Install fasteners as shown.
- 3) Torque 1/2" fasteners to 75 lb.-ft.

**PERIODICALLY CHECK THIS RECEIVER HITCH TO ENSURE THAT ALL FASTENERS  
 ARE TIGHT AND THAT ALL STRUCTURAL COMPONENTS ARE SOUND.**

Curt Manufacturing Inc., warrants this product to be free of defects in material and/or workmanship at the time of retail purchase by the original purchaser. If the product is found to be defective, Curt Manufacturing Inc., may repair or replace the product, at their option, when the product is returned, prepaid, with proof of purchase. Alteration to, misuse of, or improper installation of this product voids the warranty. Curt Manufacturing Inc.'s liability is limited to repair or replacement of products found to be defective, and specifically excludes liability for incidental or consequential loss or damage.