

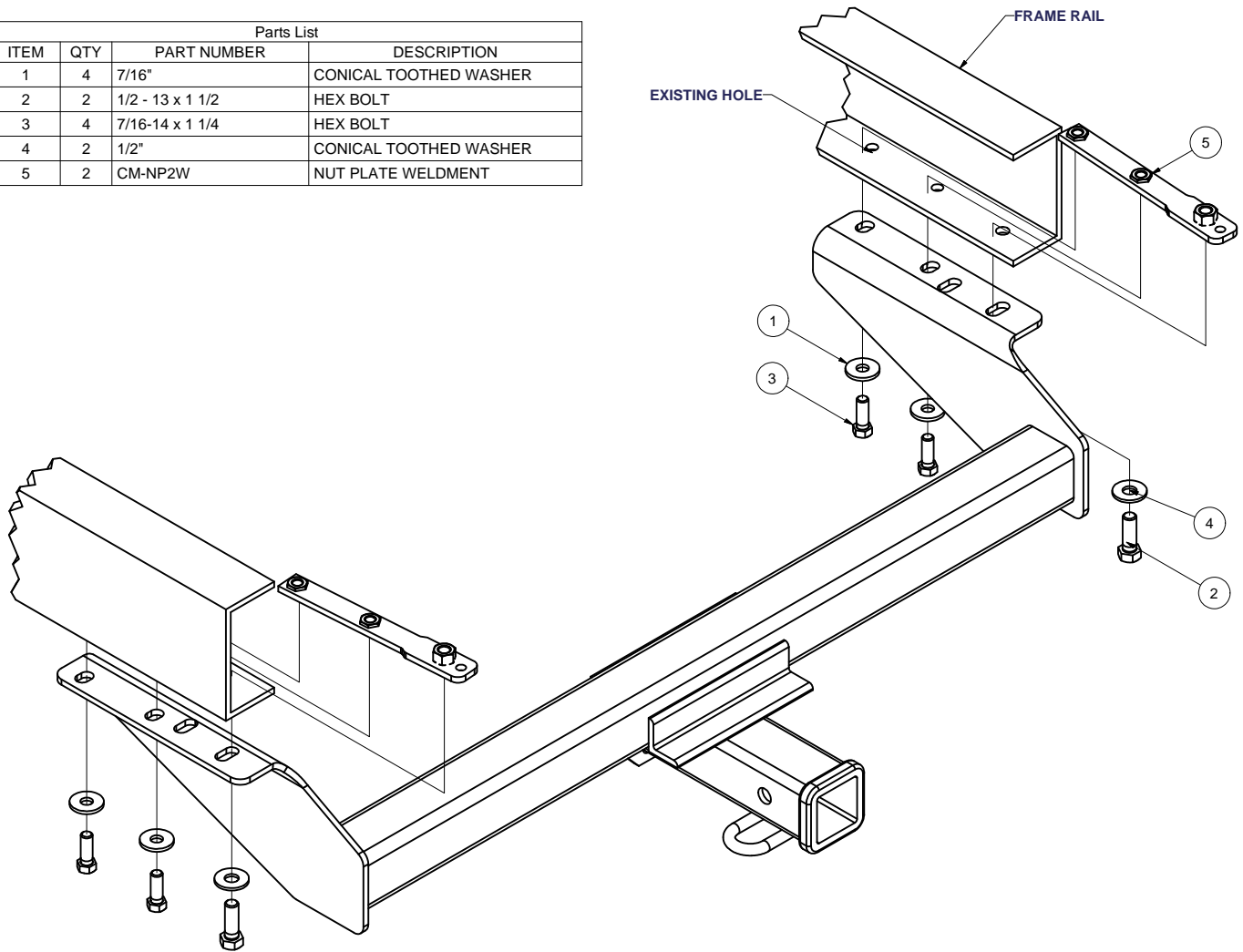
13841 / RRH13841

00-04 NISSAN FRONTIER 4DR (SHORT BOX)

1/13/2011

GROSS LOAD CAPACITY WHEN USED AS A WEIGHT CARRYING HITCH: 5000 LBS. TRAILER WEIGHT & 500 LBS. TONGUE WEIGHT.
GROSS LOAD CAPACITY WHEN USED AS A WEIGHT DISTRIBUTION HITCH: 6000 LBS. TRAILER WEIGHT & 600 LBS. TONGUE WEIGHT
DO NOT EXCEED VEHICLE MANUFACTURER'S RECOMMENDED TOWING CAPACITY.

| Parts List | | | |
|------------|-----|------------------|------------------------|
| ITEM | QTY | PART NUMBER | DESCRIPTION |
| 1 | 4 | 7/16" | CONICAL TOOTHED WASHER |
| 2 | 2 | 1/2 - 13 x 1 1/2 | HEX BOLT |
| 3 | 4 | 7/16-14 x 1 1/4 | HEX BOLT |
| 4 | 2 | 1/2" | CONICAL TOOTHED WASHER |
| 5 | 2 | CM-NP2W | NUT PLATE WELDMENT |



HITCH WEIGHT: 38 LBS.
 INSTALL TIME: 30 MINUTES
 INSTALL NOTES:
 NO DRILLING REQUIRED

INSTALLATION STEPS

- 1) Raise the hitch into position at end of vehicle frame.
- 2) Install fasteners as shown.
- 3) Torque all 7/16" fasteners to 50 lb.-ft. and all 1/2" fasteners to 75 lb.-ft.

PERIODICALLY CHECK THIS RECEIVER HITCH TO ENSURE THAT ALL FASTENERS ARE TIGHT AND THAT ALL STRUCTURAL COMPONENTS ARE SOUND.

Curt Manufacturing Inc., warrants this product to be free of defects in material and/or workmanship at the time of retail purchase by the original purchaser. If the product is found to be defective, Curt Manufacturing Inc., may repair or replace the product, at their option, when the product is returned, prepaid, with proof of purchase. Alteration to, misuse of, or improper installation of this product voids the warranty. Curt Manufacturing Inc.'s liability is limited to repair or replacement of products found to be defective, and specifically excludes liability for incidental or consequential loss or damage.