

INSTALLATION MANUAL

16090

Level of Difficulty

Easy

Installation difficulty levels are based on time and effort involved and may vary depending on the installer level of expertise, condition of the vehicle and proper tools and equipment.

Weight Carrying Capacity

Gross trailer weight (GTW) 30,000 lbs.

Vertical load 7,500 lbs.

Parts List

Item	Qty	Description
1	1	Spyder gooseneck
2	4	Rail pin
3	4	Rail clip

Tools Required

None

⚠ WARNING

Never exceed the vehicle manufacturer's recommended towing capacity.

Product Photo



NOTICE

Visit www.curtmfg.com for a full-color copy of this instruction manual, as well as helpful videos, guides and much more!

Before you begin installation, read all instructions thoroughly.

Proper tools will improve the quality of installation and reduce the time required.

This product requires 5th wheel base rails to be installed.

Periodic inspection of your product should be performed to ensure all hardware and / or components remain secure.

Product Registration and Warranty

CURT stands behind our products with industry-leading warranties. To get copies of the product warranties, register your purchase or provide feedback, visit: warranty.curtgroup.com/surveys

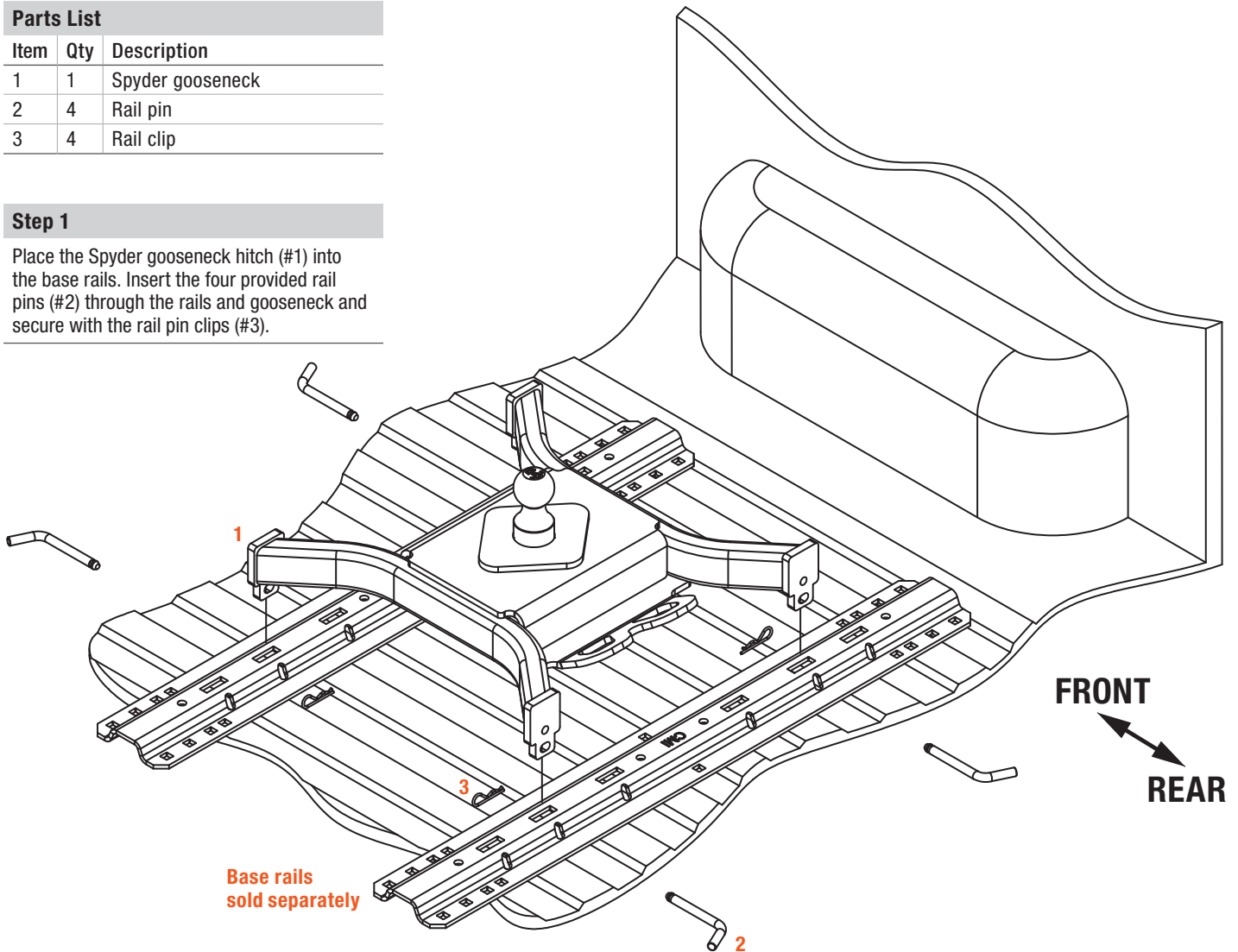
ASSEMBLY

Parts List

Item	Qty	Description
1	1	Spyder gooseneck
2	4	Rail pin
3	4	Rail clip

Step 1

Place the Spyder gooseneck hitch (#1) into the base rails. Insert the four provided rail pins (#2) through the rails and gooseneck and secure with the rail pin clips (#3).



TOWING BASICS & SAFETY INFORMATION

For information on safely towing your trailer, visit curtmfg.com/understanding-towing.