

WARNING: Under no circumstances do we recommend exceeding the towing vehicle manufacturers recommended vehicle towing capacity.

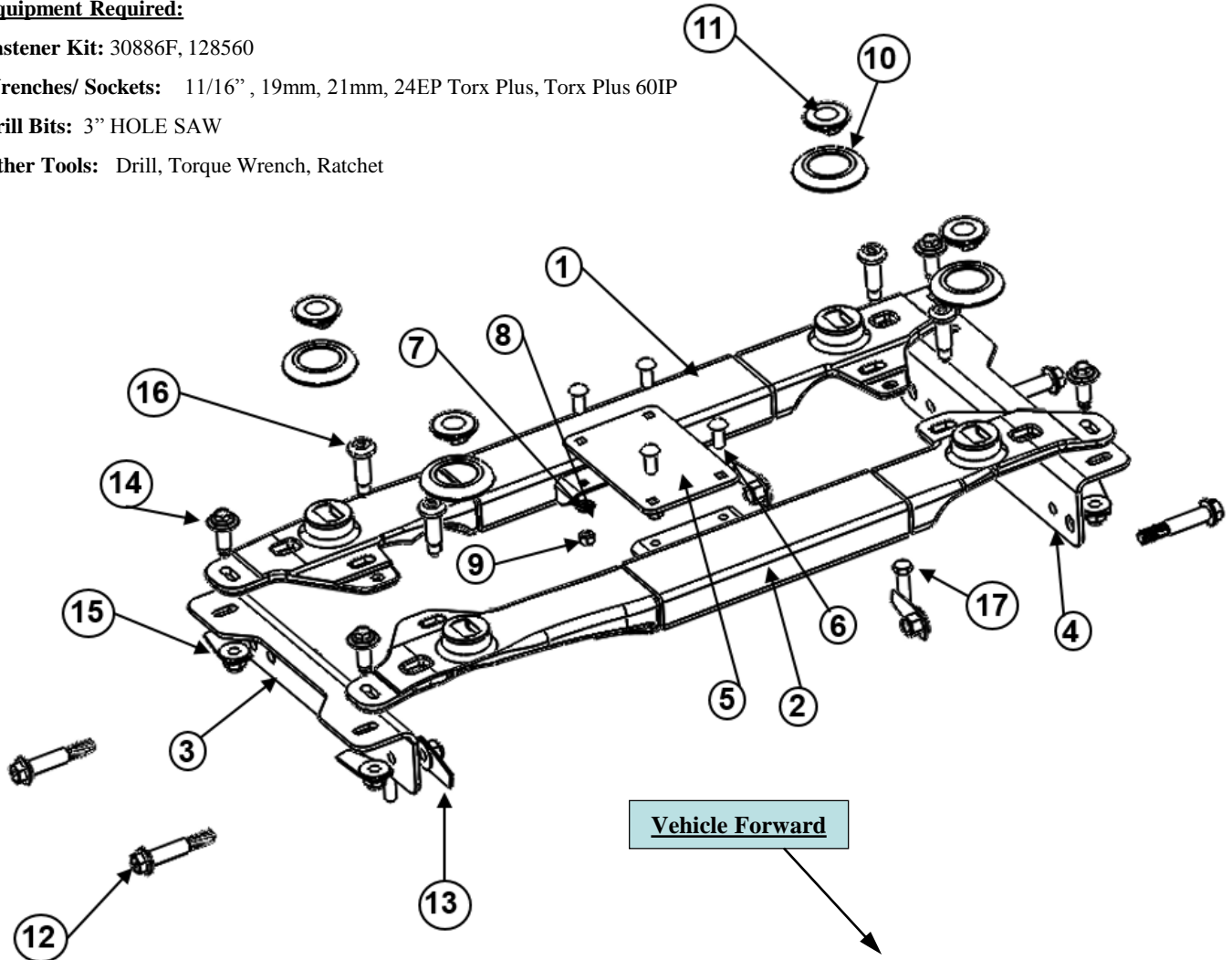
Equipment Required:

Fastener Kit: 30886F, 128560

Wrenches/ Sockets: 11/16", 19mm, 21mm, 24EP Torx Plus, Torx Plus 60IP

Drill Bits: 3" HOLE SAW

Other Tools: Drill, Torque Wrench, Ratchet



Item #	Description	QTY.	Item #	Description	QTY.
1	Front Rail	1	10	Trim Ring	4
2	Rear Rail	1	11	Puck Plug	4
3	Frame Bracket (Drivers Side)	1	12	M16 X 100 Bolt	4
4	Frame Bracket (Passenger Side)	1	13	M16 Flag Nut	8
5	Tie Plate	1	14	M14 X 45 Bolt	4
6	7/16 X 1.25 Carraige Bolt	4	15	M14 Flag Nut	4
7	7/16 Lock Washer	4	16	M16 X 49 Torx Bolt	4
8	7/16 Flat Washer	4	17	M10 X 30 Bolt	2
9	7/16 Nut	4			

NOTE:

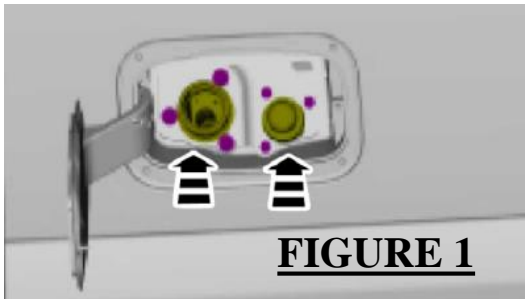
- Periodically check and re-torque all the hitch fasteners.

Warning:

- ❖ The tow vehicle manufacturers recommended towing capacities should **UNDER NO CIRCUMSTANCES** be exceeded.
- ❖ Check for adequate clearance between the trailer and the rear of the cab and the rear of the truck box before installing hitch.
- ❖ All trucks have fuel lines, brake lines and electrical wiring located along the vehicle frame where the rail kit installs. Carefully examine the location of fuel lines, brake lines and electrical wires before installation and be certain not to damage these when positioning the hitch components. Be careful when drilling holes, cutting sheet metal and tightening fasteners as to not limit the integrity of these systems.

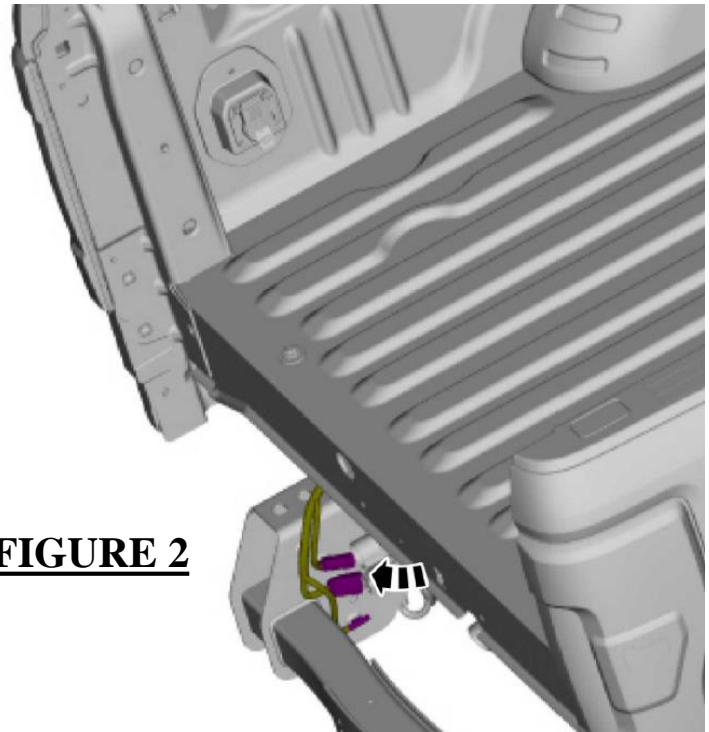
Pickup Bed Removal

1. Remove the tailgate from the pickup bed.
 1. Open the tailgate.
 2. Detach tailgate tether cables on each side (with the helping hands of an assistant).
 3. Remove tailgate from pickup bed.
2. If equipped, remove bed liner insert.
 - Spray on bed liners are acceptable.
 - Plastic bed liner inserts can NOT be reinstalled after 5th wheel hitch mounting kit is installed.
3. Remove fuel filler
 1. Remove fill cap(s).
 2. Remove filler tube retaining screws and position filler down and out of the bed.
4. **NOTE:** Diesel engine shown, gas engine similar (Figure 1).
5. Disconnect the LH and RH wire harnesses located on the hitch behind the bumper (LH shown in figure 2).
6. Remove Pickup bed mounting bolts.
 1. Use a 24EP TORX Plus[®] Socket for removal.
7. Remove pick up bed.
 1. Four people are recommended for this task.
 - **NOTE:** DO NOT set pickup bed directly on the ground, Use Stands to support the bed similar to how the bed is supported while installed on the truck.



Caution: Handle pickup bed with extra care during removal process to avoid damage to the truck cab or the bed finish.

FIGURE 2



Pickup Bed Preparation

1. **NOTE:** Read this entire section before drilling to reduce risk of damage to pickup bed.
2. Locate the four dimples in the bed floor. These indicate the center of the holes to be drilled that will allow the 5th wheel hitch mounting pucks to pass through the pickup bed.
3. Using a 3" hole saw cut the 4 outer puck holes (See Figure 3).
 1. **NOTE: DO NOT** Drill the center dimple!

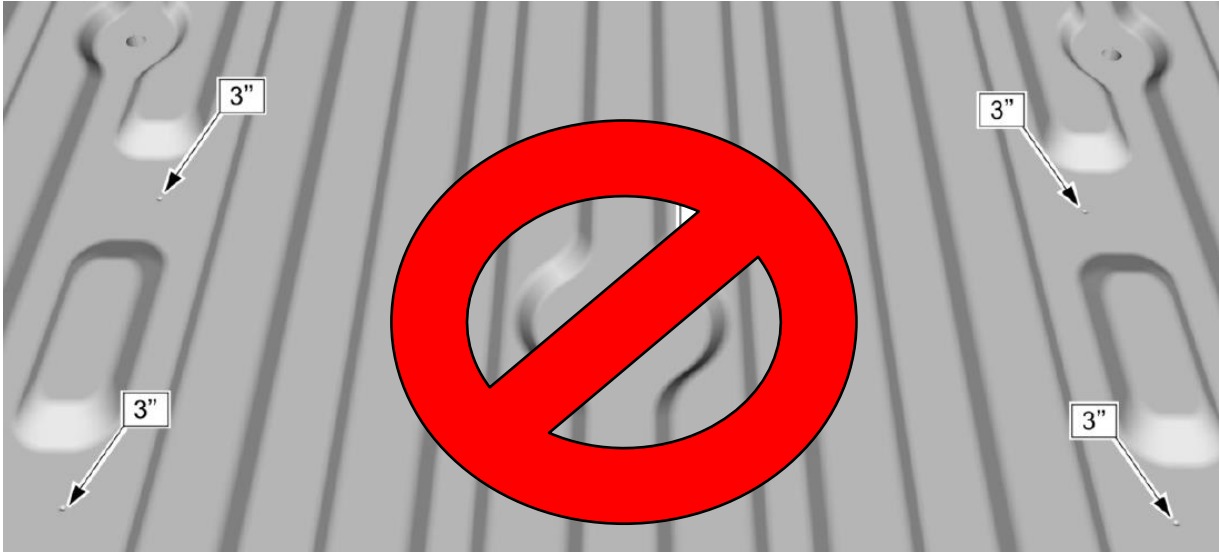


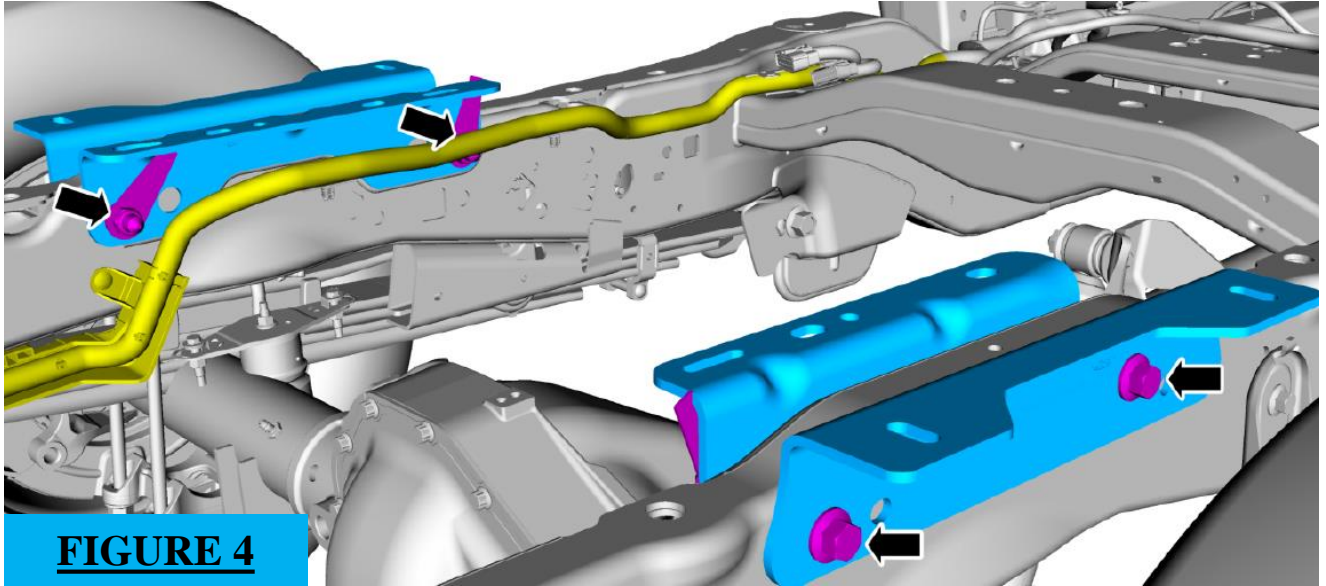
FIGURE 3

4. Debur the rough edges of the 4 drilled holes.
5. Apply corrosion preventative to raw edges of drilled holes.

Frame Bracket Installation-Figure 4

1. Position the outer frame brackets items 3 and 4 to the frame rails and install the bolts and nuts items 11 and 12. **DO NOT** tighten at this time.

NOTE: The inner frame brackets shown in figure 4 should already be welded to the frame. If not, you need to acquire kit# 30886-53.



PARTS LIST FOR FRAME BRACKET INSTALLATION

ITEM NO.	DESCRIPTION	QTY.
3	FRAME BRACKET (DRIVERS SIDE)	1
4	FRAME BRACKET (PASSENGER SIDE)	1
12	M16 X 100 BOLT	4
13	M16 FLAG NUT	4

Rail Kit Assembly-Figure 5

1. Obtain items number 1,2,5,6,7, 8 and 9 and assemble as shown below in figure 5.
2. Ensure the proper puck measurement as shown in figure 6.
 - **NOTE:** This is **VERY** important to product fitment, 13” puck measurement needed on both sides. It is also important to check both diagonal measurements to ensure the unit is square. Both measurements should be the same. This is shown in figure 6.
3. Torque bolts to 50 ft-lbs, while ensuring to maintain proper 13” puck measurement.

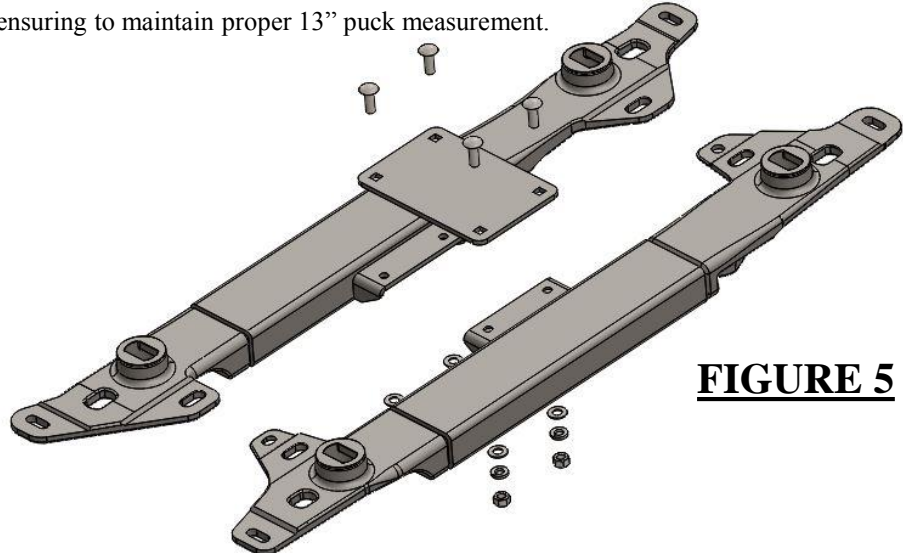


FIGURE 5

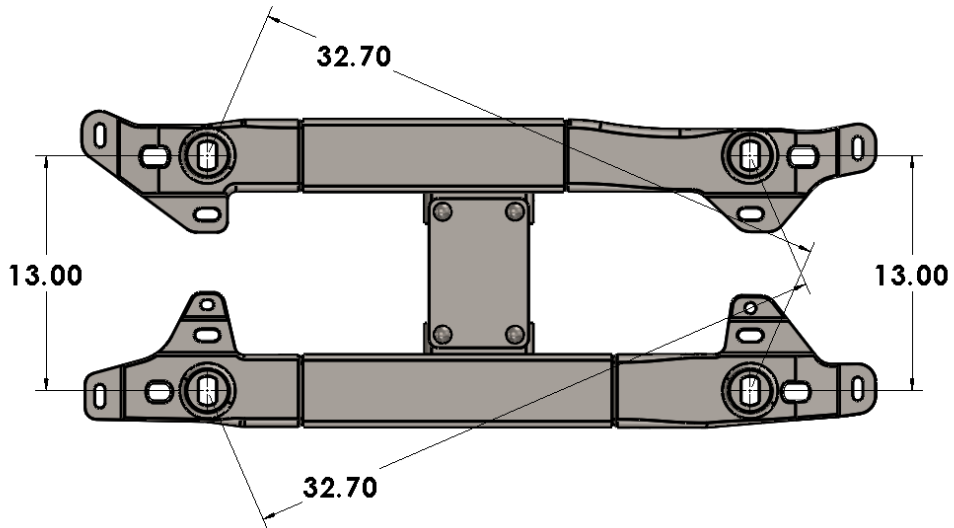


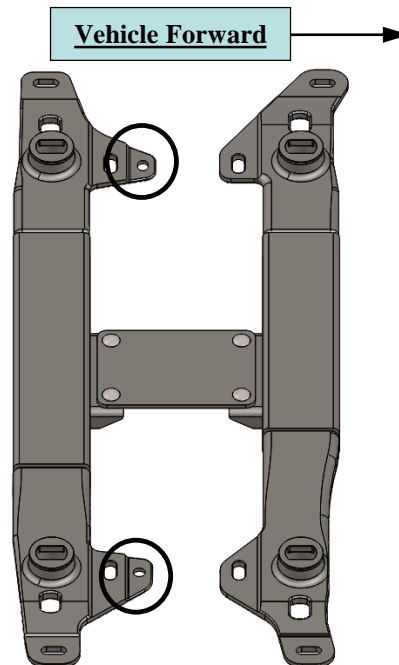
FIGURE 6

PARTS LIST FOR RAIL KIT ASSEMBLY		
ITEM NO.	DESCRIPTION	QTY.
1	FRONT RAIL	1
2	REAR RAIL	1
5	TIE PLATE	1
6	7/16 X 1.25 CARRIAGE BOLT	4
7	7/16 LOCK WASHER	4
8	7/16 WASHER	4
9	7/16 Nut	4

Mounting Rail Installation

1. Identify the front of the mounting kit. The rear of the rail kit has the locating holes shown below in figure 7.
 2. Install the rail kit onto the frame mounting brackets as shown in figure 8.
 3. Use the supplied locating bolts (Item 16) to align the rail kit onto the brackets, using the holes outlined in figure 7, aligning them with the corresponding bracket holes shown in figure 8.
 4. Install the Torx bolts (Item 15) and flag nuts (Item 12).
 5. Install the outer bolts (Item 13) and flag nuts (Item 14).
- DO NOT tighten at this time.

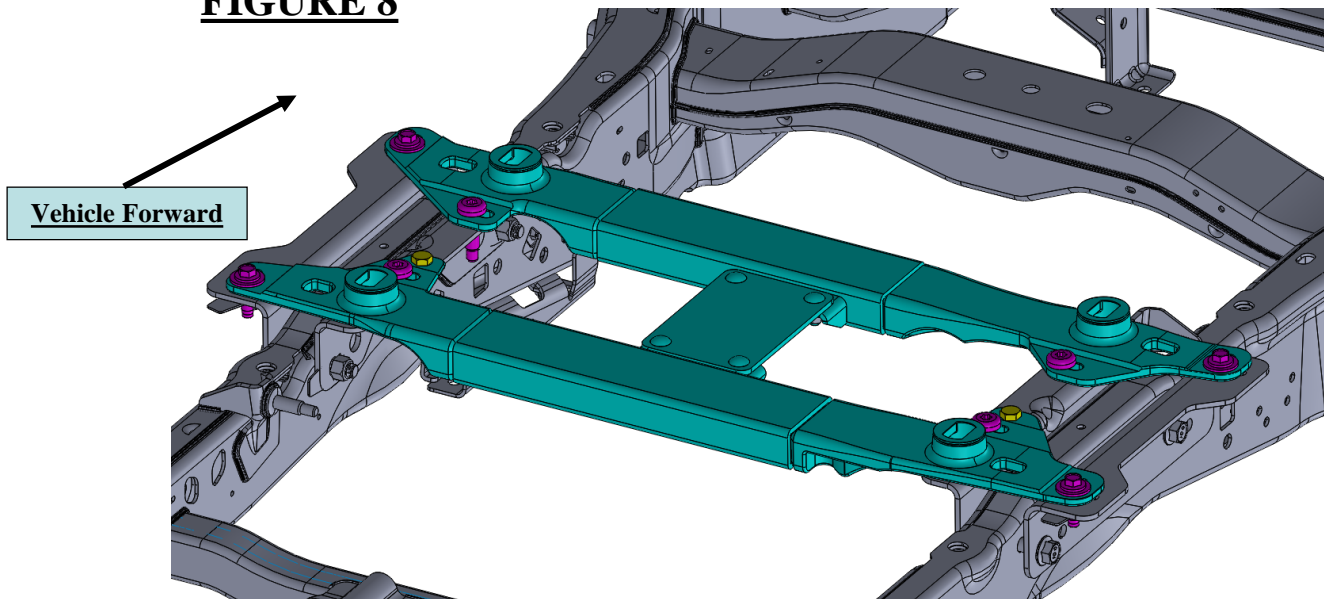
FIGURE 7



Mounting Rail Installation- Torque Sequence

1. Tighten all hardware in the flowing order
 1. Tighten frame brackets to 184 fit-lb (250 Nm).
 2. Tighten rail kit Torx to 173 ft-lb (235Nm).
 3. Tighten rail kit outer bolts to 110 ft-lb (150Nm).
- **NOTE:** Double check the 13” Puck measurement and unit squareness (Figure 6) on both sides of the rail kit. Make adjustments if necessary. This ensures product fitment after the install is complete.

FIGURE 8



PARTS LIST FOR RAIL INSTALLATION

ITEM NO.	DESCRIPTION	QTY.
13	M16 FLAG NUT	4
14	M14 X 45 BOLT	4
15	M14 FLAG NUTS	4
16	M16 X 49 TORX BOLT	4
17	M10 X 30 Bolt	2

Pickup Bed Installation

1. Install pickup bed
 - Ensure the locating pins shown in figure 9 are properly installed to both the pickup frame and pickup bed to prevent misalignment.
2. Tighten the eight bolts to 129 ft-lbs (175 Nm).

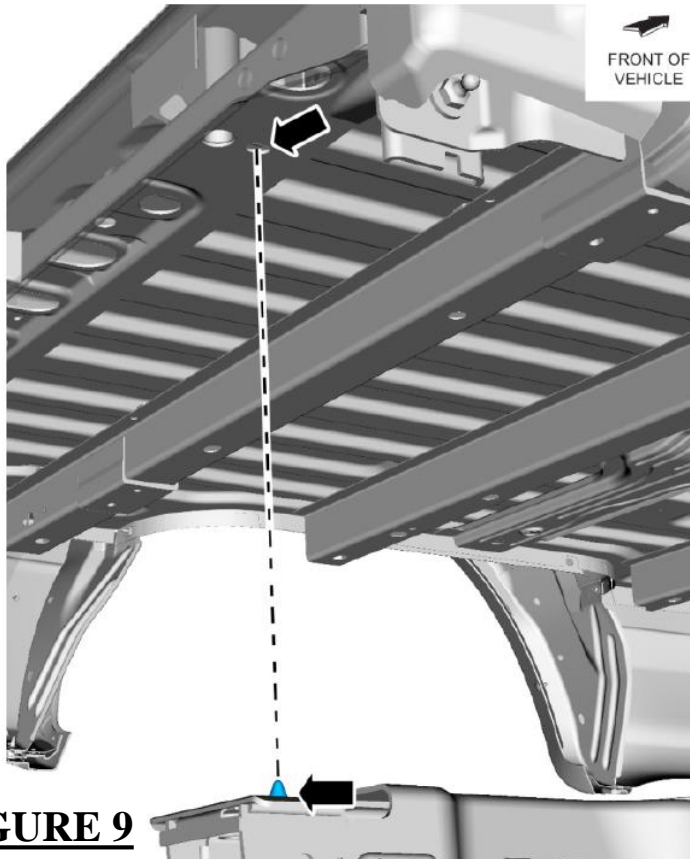


FIGURE 9

3. Install the fuel filler pipe and tighten to 44 in-lb (5 Nm).
4. If equipped, install the urea filler pipe and tighten to 22 in-lb (2.5 Nm).
5. Reconnect the LH and RH wire harnesses.
6. Install the tailgate onto the pickup bed.
7. While inside the pickup bed, inspect the fifth wheel hitch for proper puck placement.
 - Puck grooves should sit above the drilled holes.
 - There should be a minimum 0.039" (1mm) clearance between the pucks and holes in the pick up bed.

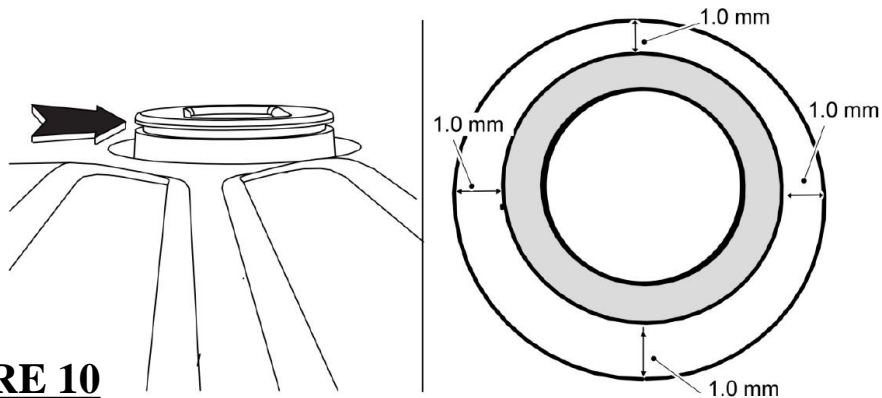


FIGURE 10

8. Clean any debris from pickup bed
9. Check the vehicle exterior lighting for proper operation.

Trim Kit Installation

1. Install the supplied trim rings.
 1. Slightly invert the trim ring by pressing on the inner diameter with your thumbs.
 2. Insert the trim ring around the groove on the mounting puck. Work the trim ring around the puck to fully seat it.
 3. Repeat for all 4 trim rings.

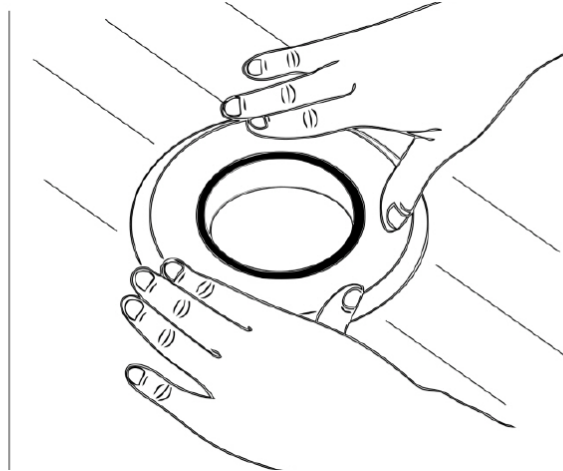
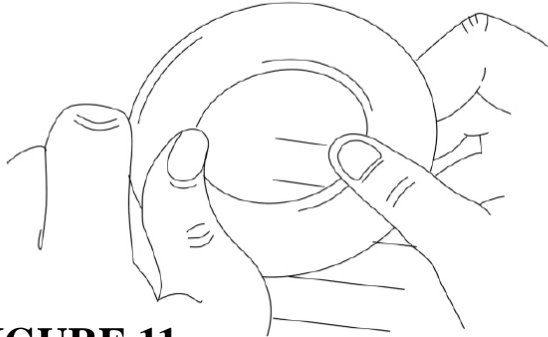


FIGURE 11

2. When hitch is not in use be sure to install the supplied puck center covers.

