



# 31028 INSTALLATION INSTRUCTIONS



Safety glasses should be worn at all times while installing this product.

YEARS: 1997-2006

MAKE: JEEP

MODEL: WRANGLER

STYLE: SUV

**WARNING: NEVER EXCEED YOUR VEHICLE MANUFACTURER'S RECOMMENDED TOWING CAPACITY**

**WEIGHT CARRYING:**  
TRAILER WEIGHT: 3,500 LBS.  
TONGUE WEIGHT: 350 LBS.

**GROSS LOAD CAPACITY WHEN USED AS A STRAIGHT LINE PULL:**  
9,000 LBS MAX.

**INSTALLATION TIME: 30 MIN.**

THE INSTALL TIME LISTED IS FOR PROFESSIONAL INSTALLERS. IF YOU ARE HESITANT TO UNDERTAKE THIS TASK ON YOUR OWN, CONTACT AN AUTHORIZED CURT INSTALLER FOR ADDITIONAL ASSISTANCE.

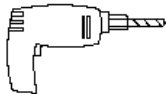

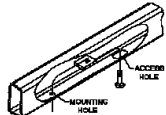
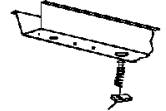
### INSTALLATION REQUIRES:

|  |   |  |
|--|---|--|
| <br><b>POWER DRILL</b>     | <br><b>DRILL BIT<br/>9/16"</b> | <br><b>MARKER</b>           |
| <br><b>DIE GRINDER</b>     | <br><b>RATCHET</b>             | <br><b>3/4"<br/>SOCKET</b> |
| <br><b>TORQUE WRENCH</b> | <br><b>SAFETY GLASSES</b>    |  |
|  |   |  |

**INSTALLATION TIPS:**

- BEFORE YOU BEGIN INSTALLATION, READ ALL INSTRUCTIONS THOROUGHLY.
- TO EASE INSTALLATION, 2 PEOPLE MAY BE REQUIRED.
- USING PROPER TOOLS WILL GREATLY IMPROVE THE QUALITY OF THE INSTALL AND REDUCE THE TIME REQUIRED.
- NEED HELP OR HAVE SOME QUESTIONS? CALL TECHNICAL SUPPORT AT 800.798.0813

**LEVEL OF DIFFICULTY: MODERATE**

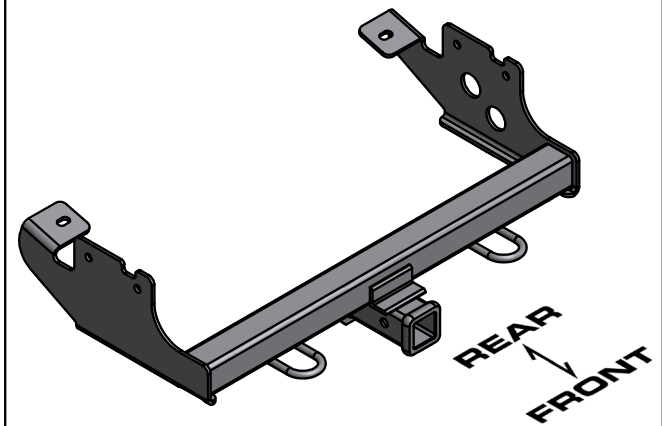
| EASY  | MODERATE                         | HARD |
|---|----------------------------------|------|
|    | <b>DRILLING REQUIRED</b>         |      |
|   | <b>HOLE ENLARGEMENT REQUIRED</b> |      |
|  | <b>FISHWIRE HARDWARE</b>         |      |
|  | <b>REVERSE FISHWIRE HARDWARE</b> |      |
|   |                                  |      |

**VEHICLE PHOTO:**



REPRESENTATIVE PHOTO

**HITCH ILLUSTRATION:**



MAKE SURE YOUR HITCH MATCHES

**PERIODICALLY CHECK THIS RECEIVER HITCH TO ENSURE ALL FASTENERS ARE TIGHT AND ALL STRUCTURAL COMPONENTS ARE SOUND**

CURT Manufacturing Inc. warrants this product to be free of defects in material and/or workmanship at the time of retail purchase by the original purchaser. If the product is found to be defective, Curt Manufacturing Inc. may repair or replace the product at their option, when the product is returned, prepaid, with proof of purchase. Alteration to, misuse of, or improper installation of this product voids the warranty. Curt Manufacturing Inc.'s liability is limited to repair or replacement of products found to be defective, and specifically excludes liability for incidental or consequential loss or damage.

For more information log onto [www.curtmfg.com](http://www.curtmfg.com), & for helpful towing tips log onto [www.hitchinfo.com](http://www.hitchinfo.com)

# INSTALLATION WALKTHROUGH:

| Parts List |     |                |  |
|------------|-----|----------------|--|
| ITEM       | QTY | PART NUMBER    | DESCRIPTION                            |
| 1          | 6   | 1/2-13 x 1 1/2 | CARRIAGE BOLT                          |
| 2          | 6   | CM-SP6         | .250 x 1.00 x 3.00" SQUARE HOLE SPACER |
| 3          | 6   | HFN 1213       | HEX FLANGE NUT                         |
| 4          | 6   | 1_2 FISHWIRE   | 1/2" FISHWIRE                          |

**FISHWIRE TECHNIQUE**

INSERT COILED END OF FISHWIRE TOOL THROUGH HITCH MOUNTING HOLE IN VEHICLE FRAME RAIL AND OUT THE ACCESS HOLE. PASS COILED END OF FISHWIRE THROUGH SPACER AND THREAD BOLT INTO COIL. KINK WIRE TO KEEP SPACER SEPARATE FROM BOLT AS SHOWN. PULL FISHWIRE, SPACER, AND BOLT THROUGH FRAME AND OUT MOUNTING HOLE. USE FISHWIRE TO GUIDE HITCH DURING MOUNTING AND PREVENT LOSS OF BOLT / SPACER INSIDE FRAME RAIL.

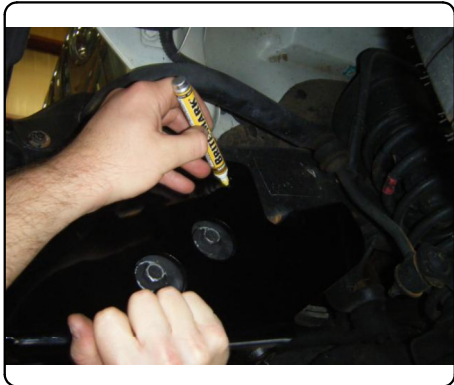
\*\*NOTE: SOME VEHICLES MAY FISHWIRE THROUGH END OF FRAME\*\*

**REVERSE PULL FISHWIRE TECHNIQUE**

ATTACH FISHWIRE TO CARRIAGE BOLT AND SLIDE SPACER ONTO FISHWIRE. PUSH THE BOLT THRU THE HOLE FOLLOWED BY THE SPACER (AS SHOWN). PULL BOLT BACK INTO POSITION, PROTRUDING FROM THE FRAME.

1. Raise hitch into position and mark (2) drill hole locations, as shown. **NOTE:** Lift driver side first so the bolt heads on the side of the frame go through the large holes in the hitch side plate and then raise hitch into position.

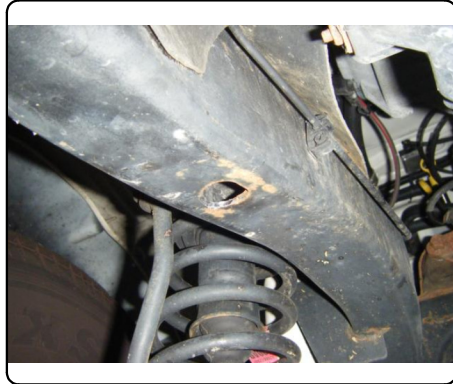
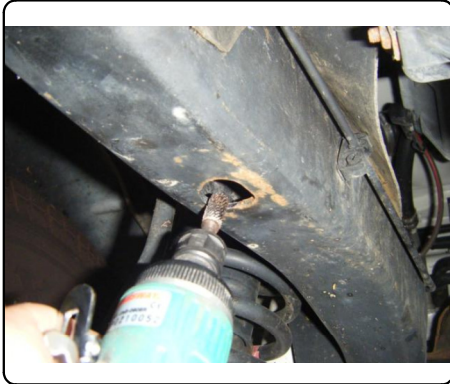


2. Lower hitch and drill (2) holes using a 9/16" drill bit.

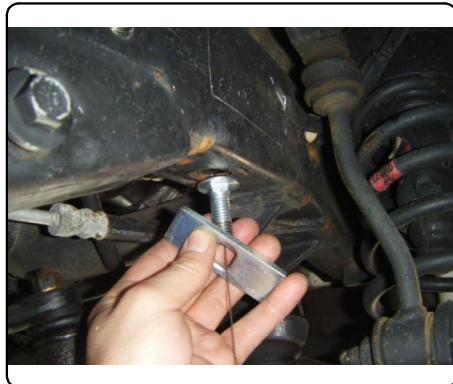


## INSTALLATION WALKTHROUGH:

3. Enlarge the mounting hole on the bottom of each frame rail so that 1/2" hardware can pass through.



4. Fishwire (2) carriage bolts and (2) SP-6 spacers into position in the side of each frame rail. Reverse fishwire (1) carriage bolt and (1) SP-6 spacer into position in the bottom of each frame rail. NOTE: Leave fishwires attached to all hardware to prevent losing in frame.



5. Thread fishwires through hitch mounting holes and raise hitch into position. Secure to frame using 1/2" flange nuts.



6. Torque all 1/2" hardware to 75 ft-lbs.



**31028****1997-2006 JEEP WRANGLER**

9/21/2010

GROSS LOAD CAPACITY WHEN USED AS A WEIGHT CARRYING HITCH: 3,500 LBS. TRAILER WEIGHT &amp; 350 LBS. TONGUE WEIGHT.

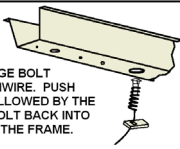
GROSS LOAD CAPACITY WHEN USED AS A STRAIGHT LINE PULL: 9,000 LBS. MAX. LINE PULL.

**\*\*\* DO NOT EXCEED VEHICLE MANUFACTURER'S RECOMMENDED TOWING CAPACITY. \*\*\***

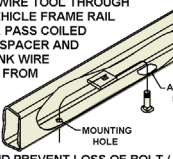
HAVING INSTALLATION QUESTIONS? CALL TECHNICAL SUPPORT AT 1-800-798-0813

| Parts List |     |                |                            |
|------------|-----|----------------|----------------------------|
| ITEM       | QTY | PART NUMBER    | DESCRIPTION                |
| 1          | 6   | 1/2-13 x 1 1/2 | CARRIAGE BOLT              |
| 2          | 6   | CM-SP6         | .250 x 1.00 x 3.00" SPACER |
| 3          | 6   | HFN 1213       | HEX FLANGE NUT             |
| 4          | 6   | 1_2 FISHWIRE   | 1/2" FISHWIRE              |

| TOOLS REQUIRED  |
|-----------------|
| DRILL           |
| 9/16" DRILL BIT |
| DIE GRINDER     |
| RATCHET         |
| 3/4" SOCKET     |
| MARKER          |
| TORQUE WRENCH   |

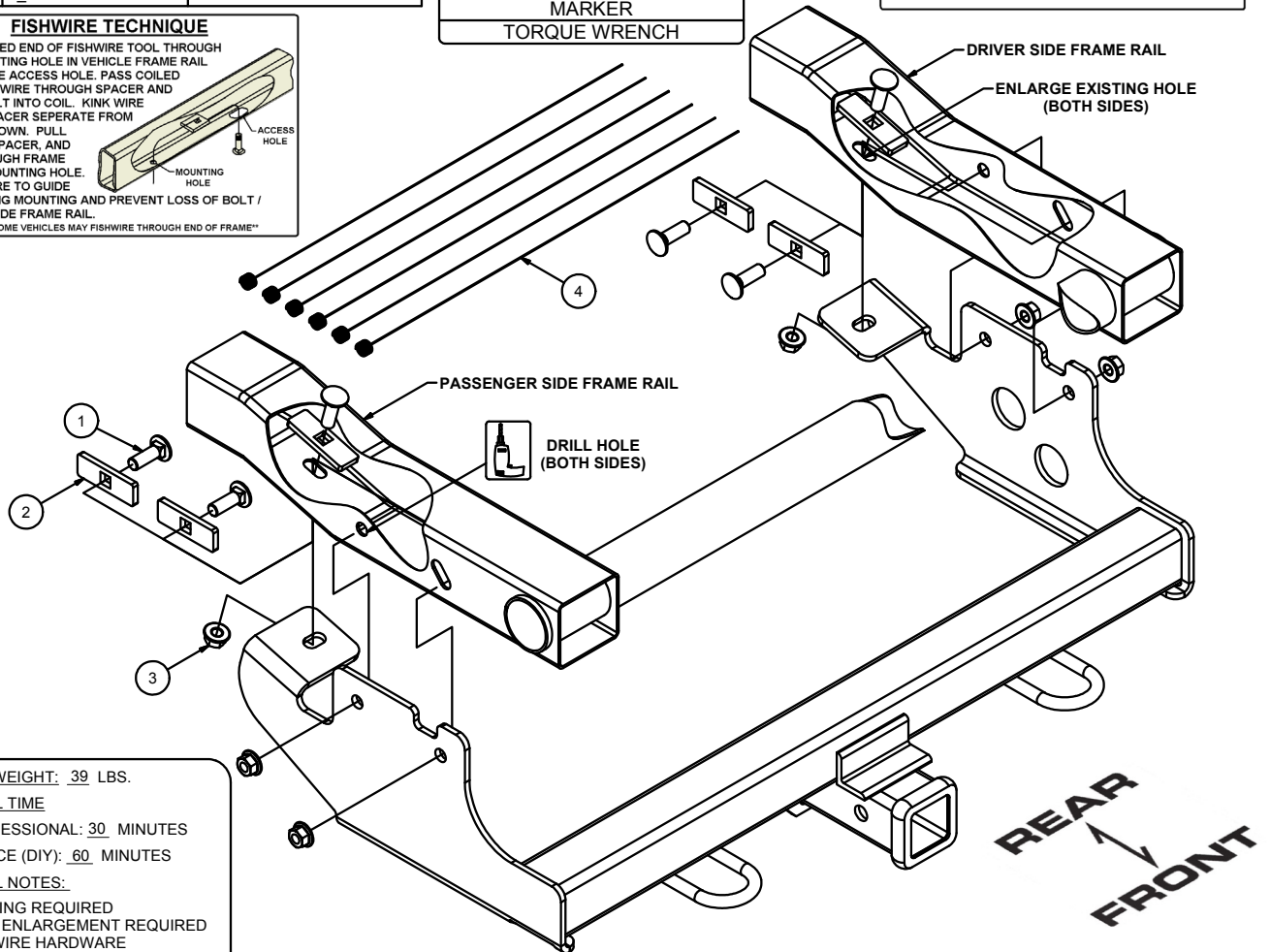
**REVERSE PULL FISHWIRE TECHNIQUE**


ATTACH FISHWIRE TO CARRIAGE BOLT AND SLIDE SPACER ONTO FISHWIRE. PUSH THE BOLT THRU THE HOLE FOLLOWED BY THE SPACER (AS SHOWN). PULL BOLT BACK INTO POSITION, PROTRUDING FROM THE FRAME.

**FISHWIRE TECHNIQUE**


INSERT COILED END OF FISHWIRE TOOL THROUGH HITCH MOUNTING HOLE IN VEHICLE FRAME RAIL AND OUT THE ACCESS HOLE. PASS COILED END OF FISHWIRE THROUGH SPACER AND THREAD BOLT INTO COIL. KINK WIRE TO KEEP SPACER SEPARATE FROM BOLT AS SHOWN. PULL FISHWIRE, SPACER, AND BOLT THROUGH FRAME AND OUT MOUNTING HOLE. USE FISHWIRE TO GUIDE HITCH DURING MOUNTING AND PREVENT LOSS OF BOLT / SPACER INSIDE FRAME RAIL.

\*\*NOTE: SOME VEHICLES MAY FISHWIRE THROUGH END OF FRAME\*\*



HITCH WEIGHT: 39 LBS.

**INSTALL TIME**

PROFESSIONAL: 30 MINUTES

NOVICE (DIY): 60 MINUTES

**INSTALL NOTES:**

- DRILLING REQUIRED
- HOLE ENLARGEMENT REQUIRED
- FISHWIRE HARDWARE

**INSTALLATION STEPS**

1. Raise hitch into position and mark (2) drill hole locations, as shown above. **NOTE:** Lift driver side first so the bolt heads on the side of the frame go through the large holes in the hitch side plate and then raise hitch into position.
2. Lower hitch and drill (2) holes using a 9/16" drill bit.
3. Enlarge the mounting hole on the bottom of each frame rail so that 1/2" hardware can pass through.
4. Fishwire (2) carriage bolts and (2) CM-SP6 spacers into position in the side of each frame rail. Reverse fishwire (1) carriage bolt and (1) CM-SP6 spacer into position in the bottom of each frame rail. **NOTE:** Leave fishwires attached to all hardware to prevent hardware becoming lost in frame.
5. Thread fishwires through hitch mounting holes and raise hitch into position. Secure to frame using 1/2" flange nuts.
6. Torque all 1/2" hardware to 75 ft-lbs.

**PERIODICALLY CHECK THIS RECEIVER HITCH TO ENSURE THAT ALL FASTENERS ARE TIGHT AND THAT ALL STRUCTURAL COMPONENTS ARE SOUND.**

Curt Manufacturing Inc., warrants this product to be free of defects in material and/or workmanship at the time of retail purchase by the original purchaser. If the product is found to be defective, Curt Manufacturing Inc., may repair or replace the product, at their option, when the product is returned, prepaid, with proof of purchase. Alteration to, misuse of, or improper installation of this product voids the warranty. Curt Manufacturing Inc.'s liability is limited to repair or replacement of products found to be defective, and specifically excludes liability for incidental or consequential loss or damage.

\*\*\***DO NOT EXCEED VEHICLE MANUFACTURER'S RECOMMENDED TOWING CAPACITY**\*\*\*.

#### FRONT MOUNTED ACCESSORIES

1) Do not exceed front axle Gross Weight Rating (GAWR). Consult owners manual or specification plate located on driver's door frame. Measure gross front axle weight by placing front wheels of loaded vehicle on a scale.

**WARNING:** Exceeding GAWR may overload the front axle and/or suspension. This could result in **accident, property damage and personal injury.**

- 2) Reposition front mounted license plate if obstructed.
- 3) Do not obstruct vehicle lights.
- 4) Allow free air flow into grille opening.
- 5) Rear wheel traction may be reduced. This could effect handling. Reduce speed and drive with caution.
- 6) Accessories extend front of vehicle. This may reduce approach angle. Use caution when parking and maneuvering.
- 7) Do not obstruct driver view.

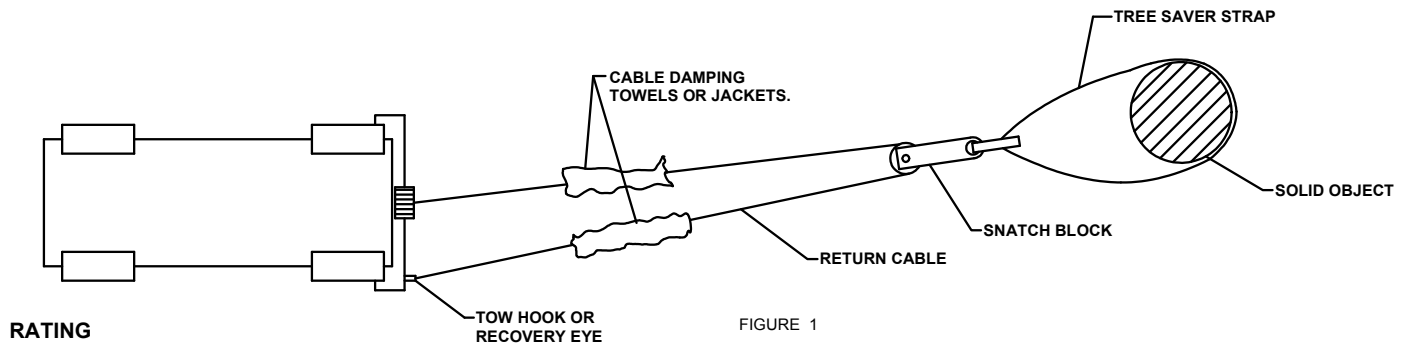
#### VEHICLE RECOVERY AND WINCHING TIPS

1) Use OEM tow hooks, recovery eyes or a clevis mount for attachment of a tow strap or winch cable.

**WARNING: NEVER** use a ball and/or ball mount as an anchor point for tow strap or winch cable. Severe personal injury or death could result.

- 2) Observe winch manufacturer's recommendations, cautions and warnings.
- 3) Attach return cable to tow hook or recovery eye when using a snatch block (See figure 1).

**CAUTION:** Do not attach return cable to winch mount. This may overload winch mount and/or front mounted receiver.



#### RATING

For **Maximum** line pull rating, winch cable must not exceed:

- 15 degree angle up or down from horizontal (See Figure 2).
- 45 degree angle left or right from straight ahead (See Figure 3).

**CAUTION:** Exceeding the maximum line pull rating may over load winch, winch mount, and/or front mounted receiver.

