

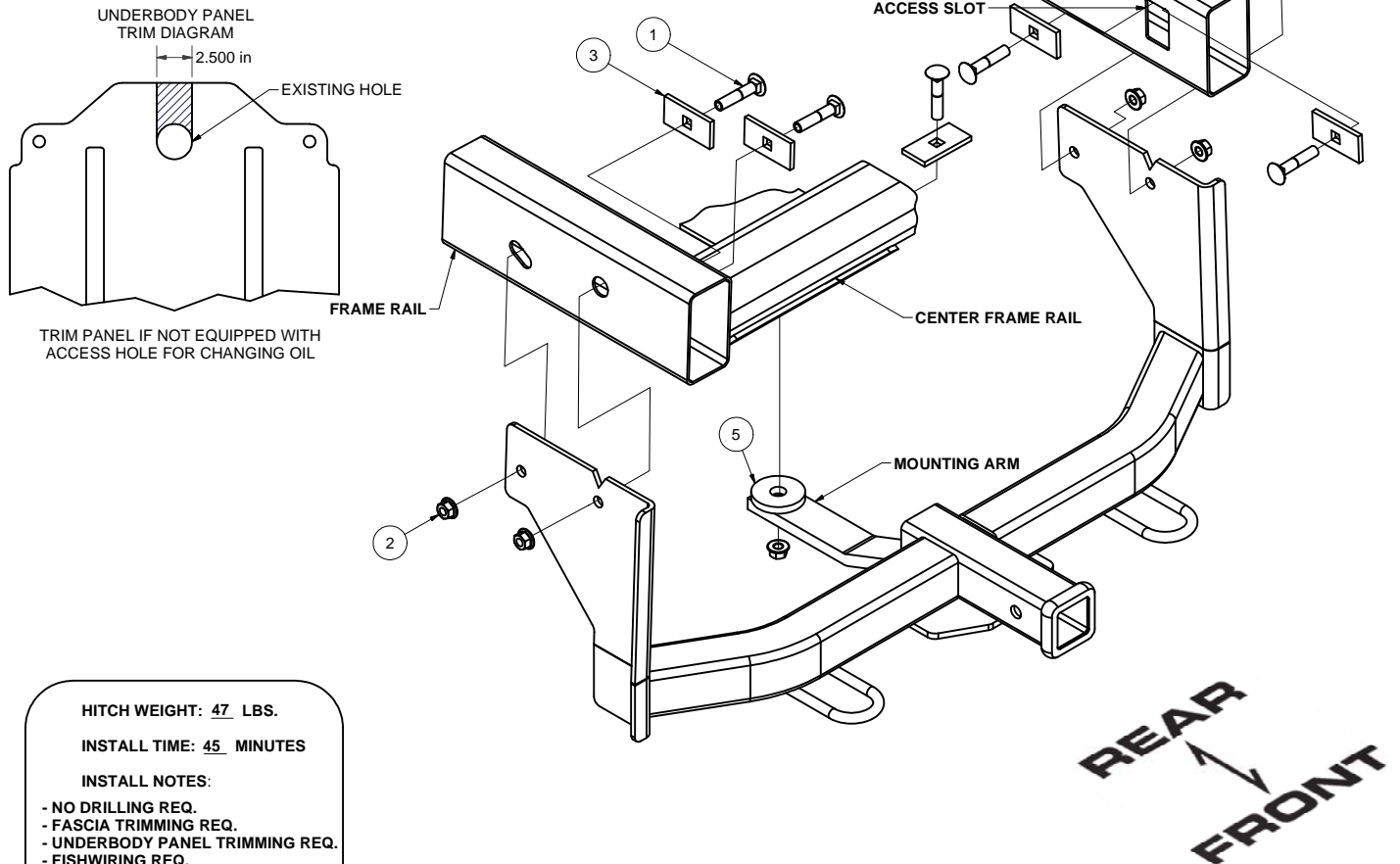
# 31055 CHEVY TRAILBLAZER. GMC ENVOY & DENALI, BUICK RAINER

11/29/2010

GROSS LOAD CAPACITY WHEN USED AS A WEIGHT CARRYING HITCH: 3,500 LBS. TRAILER WEIGHT & 350 LBS. TONGUE WEIGHT.  
STRAIGHT LINE PULL CAPACITY: 9,000 LBS. TRAILER WEIGHT & 900 LBS. TONGUE WEIGHT

\*\*\*DO NOT EXCEED VEHICLE MANUFACTURER'S RECOMMENDED TOWING CAPACITY.\*\*\*

Parts List			
ITEM	QTY	PART NUMBER	DESCRIPTION
1	5	1/2-13 x 2 1/2 LG.	CARRIAGE BOLT
2	5	HFN 1213	HEX FLANGE NUT
3	5	CM-SP4	.250 x 1.50 x 3.00" SQUARE HOLE SPACER
4	1	1/2"	FISHWIRE TOOL (NOT SHOWN)
5	1	CM-31055-SP	.375 INSTALLATION SPACER



HITCH WEIGHT: 47 LBS.

INSTALL TIME: 45 MINUTES

#### INSTALL NOTES:

- NO DRILLING REQ.
- FASCIA TRIMMING REQ.
- UNDERBODY PANEL TRIMMING REQ.
- FISHWIRING REQ.

## INSTALLATION STEPS

- 1) Remove lower portion of front bumper fascia. Note: If underbody panel is not equipped with oil filter access hole, remove, trim as shown in diagram above and reattach.
- 2) Fishwire 1/2" carriage bolt and spacer into center frame section as shown.
- 3) Raise hitch into position. Align mounting arm hole with previously fishwired carriage bolt. Place the circular spacer provided between the mounting arm and frame before fastening with a 1/2" flange nut.  
**(Note: Side plate may be snug fitting over sway arms. Will need to be rotated and pushed into position.)**
- 4) Fishwire remaining carriage bolts and spacers through large frame slots. Slots are located on the inside of frame rails. Pull bolts out through hitch side plate holes and fasten with flange nuts.
- 5) Torque all 1/2" fasteners to 75 ft.-lbs.
- 6) Notch out lower fascia trim to fit around receiver tube and reposition on vehicle.

PERIODICALLY CHECK THIS RECEIVER HITCH TO ENSURE THAT ALL FASTENERS ARE TIGHT AND THAT ALL STRUCTURAL COMPONENTS ARE SOUND.

Curt Manufacturing Inc., warrants this product to be free of defects in material and/or workmanship at the time of retail purchase by the original purchaser. If the product is found to be defective, Curt Manufacturing Inc., may repair or replace the product, at their option, when the product is returned, prepaid, with proof of purchase. Alteration to, misuse of, or improper installation of this product voids the warranty. Curt Manufacturing Inc.'s liability is limited to repair or replacement of products found to be defective, and specifically excludes liability for incidental or consequential loss or damage.