

31063**FORD RANGER, MAZDA B- SERIES
(EXCLUDING MODELS WITH FRONT CROSS MEMBER)**

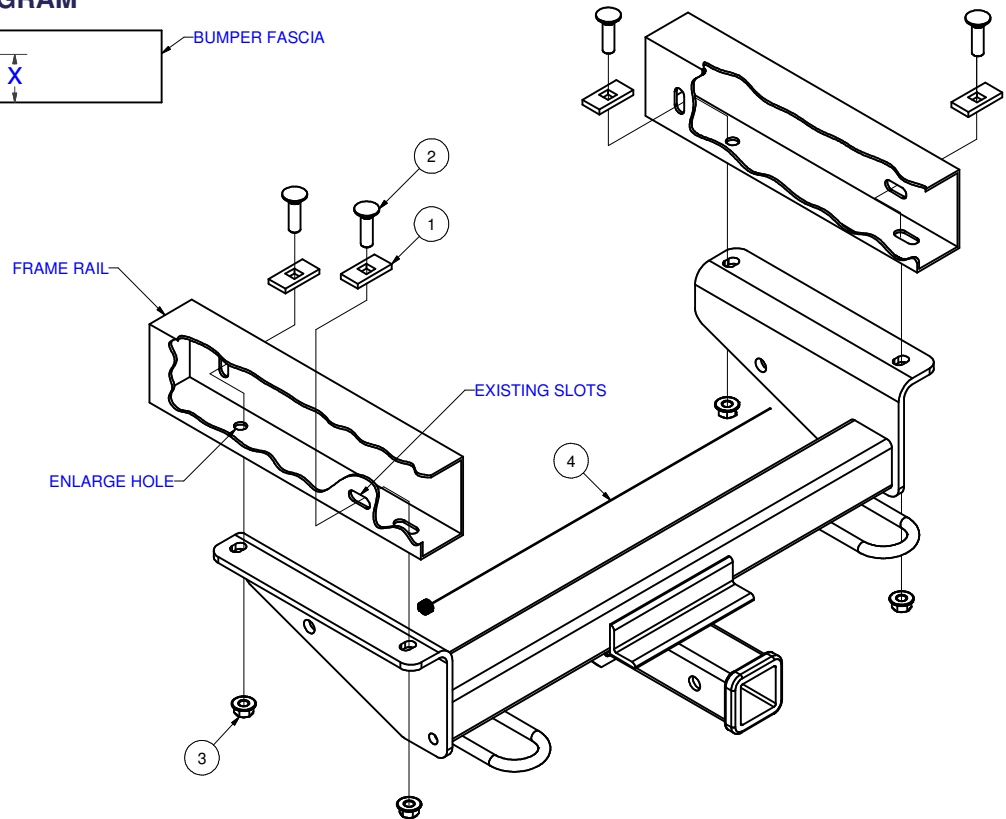
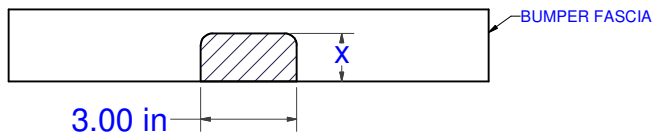
3/27/2012

GROSS LOAD CAPACITY WHEN USED AS A WEIGHT CARRYING HITCH: 3,500 LBS. TRAILER WEIGHT & 350 LBS. TONGUE WEIGHT.

GROSS LOAD CAPACITY WHEN USED AS A STRAIGHT LINE PULL: 9,000 LBS. MAX. LINE PULL.

*****DO NOT EXCEED VEHICLE MANUFACTURER'S RECOMMENDED TOWING CAPACITY.*****

| Parts List | | | |
|------------|-----|----------------|--|
| ITEM | QTY | PART NUMBER | DESCRIPTION |
| 1 | 4 | CM-SP12 | .250 x 1.00 x 2.00" SQUARE HOLE SPACER |
| 2 | 4 | 1/2-13 x 1 3/4 | CARRIAGE BOLT |
| 3 | 4 | HFN 1213 | HEX FLANGE NUT |
| 4 | 1 | 1_2 FISHWIRE | 1/2" FISHWIRE |

FASCIA TRIM DIAGRAMHITCH WEIGHT: 36 LBS.INSTALL TIME: 30 MINUTES

INSTALL NOTES:

ENLARGE EXISTING HOLES
FASCIA TRIMMING
SKID SHIELD REMOVAL

INSTALLATION STEPS

- 1) Lower plastic radiator shield and return to owner. For 2WD Rangers, remove lower fascia.
- 2) Fishwire spacers and carriage bolts for forward attachment points into position.
- 3) Raise receiver into position, as far forward as possible, and install forward fasteners.
(Note: Slight trimming of bumper fascia may be necessary where it contacts receiver.)
- 4) Using receiver as guide, enlarge the rearmost holes in the frame.
- 5) Fishwire spacers and carriage bolts as shown for rearward attachment points.
- 6) Check clearance of transmission cooler line. Bend or tie back to prevent contact with receiver.
- 7) Torque all 1/2" fasteners to 50 ft-lbs.

**PERIODICALLY CHECK THIS RECEIVER HITCH TO ENSURE THAT ALL FASTENERS
ARE TIGHT AND THAT ALL STRUCTURAL COMPONENTS ARE SOUND.**

Curt Manufacturing Inc., warrants this product to be free of defects in material and/or workmanship at the time of retail purchase by the original purchaser. If the product is found to be defective, Curt Manufacturing Inc., may repair or replace the product, at their option, when the product is returned, prepaid, with proof of purchase. Alteration to, misuse of, or improper installation of this product voids the warranty. Curt Manufacturing Inc.'s liability is limited to repair or replacement of products found to be defective, and specifically excludes liability for incidental or consequential loss or damage.

*****DO NOT EXCEED VEHICLE MANUFACTURER'S RECOMMENDED TOWING CAPACITY ***.**

FRONT MOUNTED ACCESSORIES

1) Do not exceed front axle Gross Weight Rating (GAWR). Consult owners manual or specification plate located on driver's door frame. Measure gross front axle weight by placing front wheels of loaded vehicle on a scale.

WARNING: Exceeding GAWR may overload the front axle and/or suspension. This could result in **accident, property damage and personal injury.**

- 2) Reposition front mounted license plate if obstructed.
- 3) Do not obstruct vehicle lights.
- 4) Allow free air flow into grille opening.
- 5) Rear wheel traction may be reduced. This could effect handling. Reduce speed and drive with caution.
- 6) Accessories extend front of vehicle. This may reduce approach angle. Use caution when parking and maneuvering.
- 7) Do not obstruct driver view.

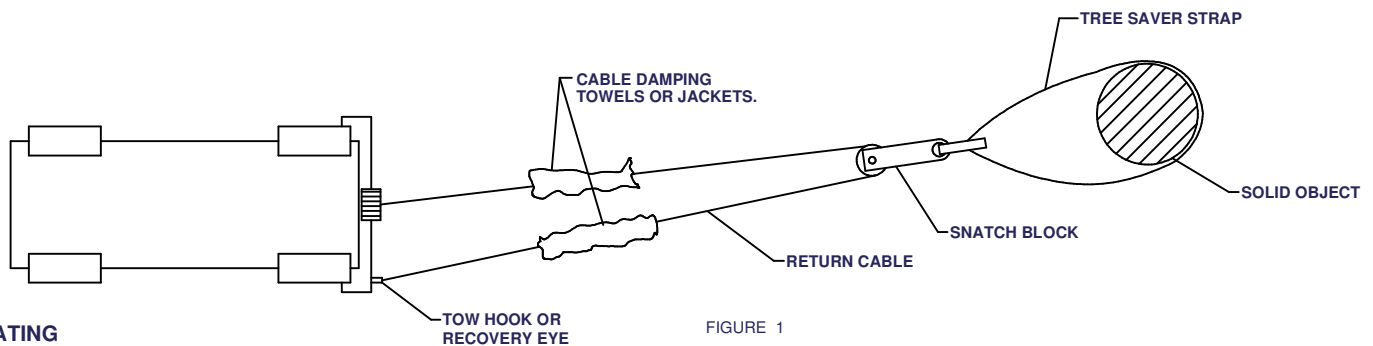
VEHICLE RECOVERY AND WINCHING TIPS

1) Use OEM tow hooks, recovery eyes or a clevis mount for attachment of a tow strap or winch cable.

WARNING: NEVER use a ball and/or ball mount as an anchor point for tow strap or winch cable. Severe personal injury or death could result.

- 2) Observe winch manufacturer's recommendations, cautions and warnings.
- 3) Attach return cable to tow hook or recovery eye when using a snatch block (See figure 1).

CAUTION: Do not attach return cable to winch mount. This may overload winch mount and/or front mounted receiver.



RATING

For **Maximum** line pull rating, winch cable must not exceed:

- 15 degree angle up or down from horizontal (See Figure 2).
- 45 degree angle left or right from straight ahead (See Figure 3).

CAUTION: Exceeding the maximum line pull rating may over load winch, winch mount, and/or front mounted receiver.

