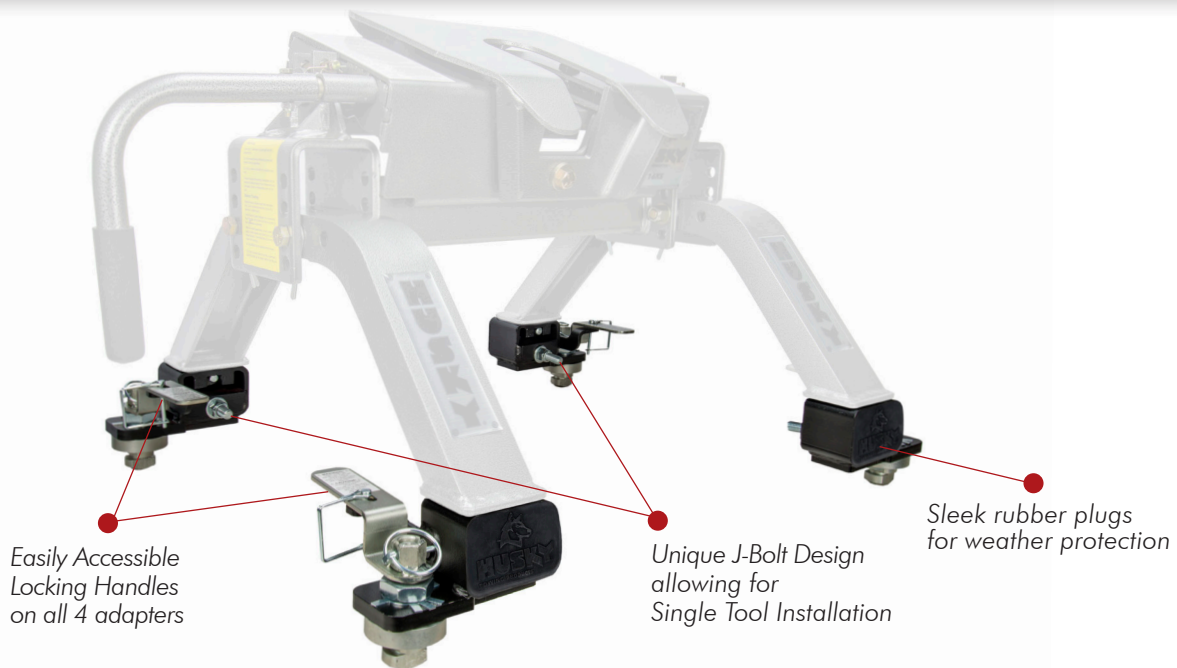


NEW!

HUSKY® TOWING PRODUCTS

#33056

GM OEM 5TH WHEEL ADAPTER



Easily Accessible
Locking Handles
on all 4 adapters

Unique J-Bolt Design
allowing for
Single Tool Installation

Sleek rubber plugs
for weather protection

- **Fits 2015 to Current GM/Chevrolet 2500/3500 Trucks with OEM 5th Wheel/Gooseneck Package**
- **Rated to 16,000lbs Towing/4,000lbs Pin Weight**
- **Surpasses SAE J2638 5th Wheel/Gooseneck Standards**
- **Quick and Easy 1 Person Installation and Removal**

- Durable Powdercoat and Zinc Plated Finish
- Minimal Truck Footprint and small shelf space required when stocking
- Uses High Strength Low Alloy Steel in Critical Areas for Superior Strength
- For use with all 16K Husky 5th Wheels, 16K Rollers, 16K Gliders and other brands of standard base rail-mounted 16K 5th wheels (hitch sold separately)

Weight: 31.5lbs

Box Dimensions: 15.5" L x 15.25" W x 6" H



<http://www.huskytow.com/product/gm-oem-5th-wheel-adapter-33056>

RUGGED IS STANDARD EQUIPMENT.™

Husky manufactures a comprehensive offering of innovative, leading technology towing products including 5th Wheel Hitches, Brute Power Jacks, and the Husky 10 Composite Glider, all designed to enhance your towing experience.

LEARN MORE: huskytow.com

HUSKY®
TOWING PRODUCTS

NEW!

HUSKY® TOWING PRODUCTS

Replacement Kits for GM OEM 5TH Wheel Adapter



#33056 adapter assembled without hitch (hitches sold separately)



#33056 adapter assembled with hitch (hitches sold separately)



#33101 Hardware Kit



#33115 Rubber Plug Kit



#33116 J Bolt Kit



<http://www.huskytow.com/product/gm-oem-5th-wheel-adapter-33056>

RUGGED IS STANDARD EQUIPMENT.™

Husky manufactures a comprehensive offering of innovative, leading technology towing products including 5th Wheel Hitches, Brute Power Jacks, and the Husky 10 Composite Glider, all designed to enhance your towing experience.

LEARN MORE: huskytow.com



#HUSKY8