

# COVER PAGE

RAM 2500  
50054 CUSTOM QUICK INSTALL  
MOUNTING KIT  
10-Bolt Kits, Pages 1-3  
4-Bolt Kits, Pages 4-6

## NOTE!

Prior to installing product, please visit one of our websites to assure your kit contains the most recent revision to installation instruction and verify vehicle application.

***[www.ReeseProducts.com](http://www.ReeseProducts.com)***

# Installation Instructions

## CUSTOM QUICK INSTALL MOUNTING KIT

Ram 2500

Part Numbers:

50054

### INSTALLATION SHOWN FOR THE 58058 OR 30035 RAILS

**Equipment Required:**

Fastener Kit: 50054F

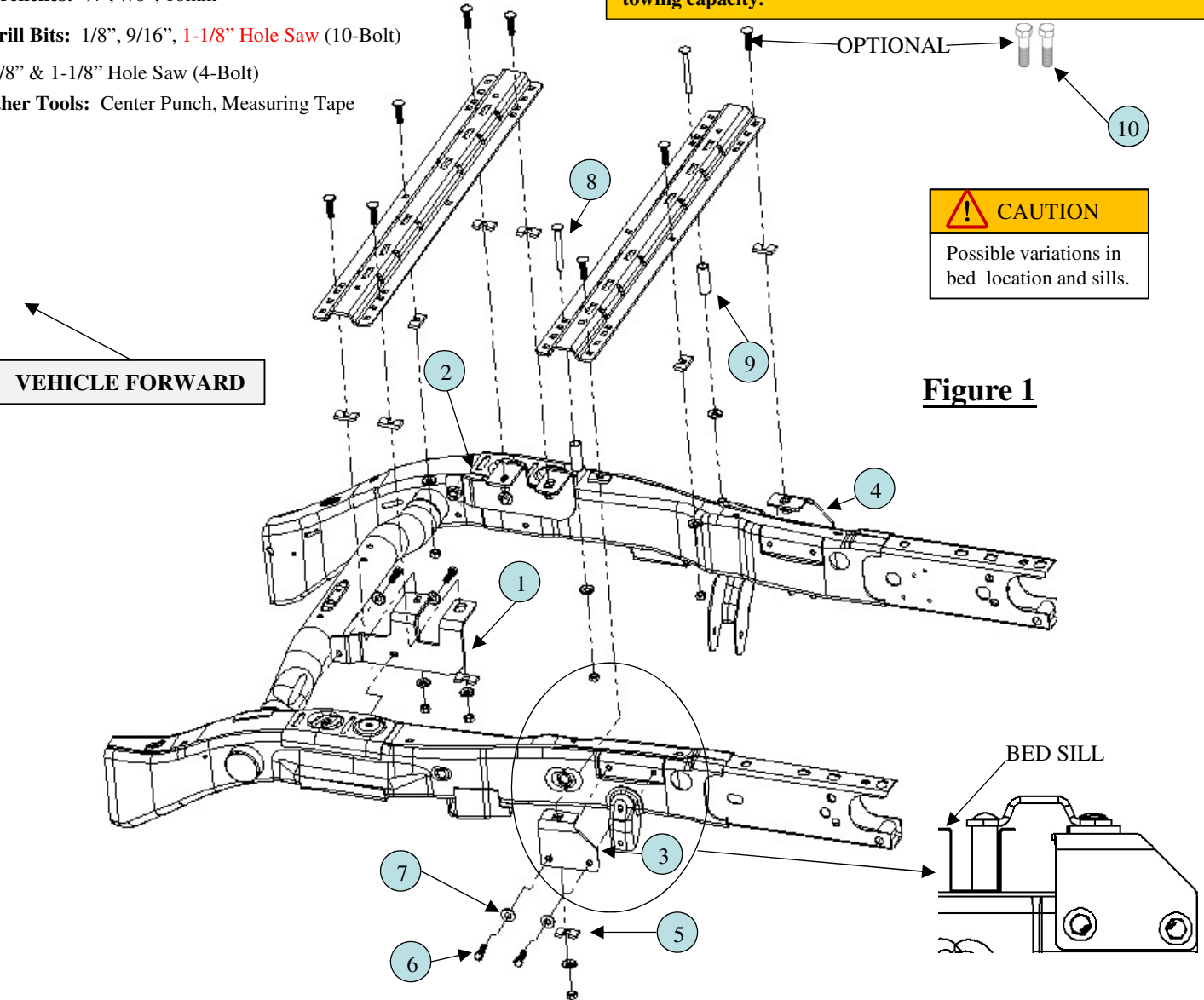
Wrenches: 3/4", 7/8", 18mm

Drill Bits: 1/8", 9/16", 1-1/8" Hole Saw (10-Bolt)

5/8" & 1-1/8" Hole Saw (4-Bolt)

Other Tools: Center Punch, Measuring Tape

**WARNING:** Under no circumstances do we recommend exceeding the towing vehicle manufacturers recommended vehicle towing capacity.



**Figure 1**

ITEM	DESCRIPTION	QUANTITY	ITEM	DESCRIPTION	QUANTITY
1	BRACKET, DRIVER FRONT	1	7	CONICAL WASHER, 1/2"	8
2	BRACKET, PASSENGER FRONT	1	8	CARRIAGE BOLT, 1/2"-13 X 4.5"	2
3	BRACKET, DRIVER REAR	1	9	TUBE SPACER	2
4	BRACKET, PASSENGER REAR	1	10	BOLT, 1/2" -13 X 2" GR. 5	2
5	BLOCK, .25" X 1" X 3"	4	<b>All of the fasteners listed are supplied with this kit, all other mentioned fasteners are supplied with rail kit 58058</b>		
6	BOLT, M12 - 40MM - 1.5" CL 10.9	8			

**FOR  
INSTALLATION  
OF 58058 OR 30035  
RAIL KITS**

**Installation Instructions  
CUSTOM QUICK INSTALL  
MOUNTING KIT**

Part Numbers:  
**50054**

**Ram 2500**

1. Do not install mounting rails over plastic bed liners. Plastic bed liners must be cut out of the way to provide metal to metal contact. Mounting rails may be installed on spray in liners.
2. Use only bolts, nuts, and washers supplied to install this kit. All bolts & nuts are Grade 5 unless otherwise specified.
3. These instructions are guidelines only, actual installation is the responsibility of the installer and the owner. Always measure truck and trailer before installing hitch to be sure that there is clearance at the cab and at the bumper to allow for turns.
4. Lower and remove spare tire and lower exhaust if extra room is needed. Remove inner plastic wheel well liner to allow access to frame.
5. Detach the electrical wire loom and brake lines from the inside driver side of the frame.
6. Place the rear mounting rail in the box of the truck, using your tape measure, center the rail between the weld seams on the length of the truck box floor and the proper distance from the rear edge of the truck box as shown in Figure 2.  
**Note:** It is critical that rail is centered side to side on the truck bed.
7. Mark and center punch the holes as shown in Figure 2 (Rows 1 & 2). Remove the rail and drill each position with a 1/8" drill bit.  
**Note:** There will be drilling through the **top and bottom** of the bed sill perpendicular with the truck bed.
8. Temporarily position the frame bracket on the outside of the frame and check that the 1/8" drilled holes align with the slots of the frame bracket. Remove the frame bracket from the vehicle.
9. Enlarge the 1/8" drilled holes **in row 1** to 9/16". **Enlarge the 1/8" drilled holes in row 2 to 1-1/8" (bed corrugations only). The bottom of the bed sill requires a 9/16" hole. Paint all bare metal.**
10. Loosely install the frame brackets rear (3)(4) by attaching the bolts (6), conical washers (7). (See Figure 1)
11. **Install tube spacer (Item 9)**
12. Move rear mounting rail into position. Install the 1/2"-13 x 2" carriage bolts that are supplied with the rails **and the 1/2"-13 x 4-1/2" from this kit** with the block spacer. Block spacers to be located in the corrugation between the box and the mounting rail or between the box and **frame** brackets.
13. **The 1/2"-13 x 2" hex head bolts (10), may be used in place of the carriage bolts on the rearward most rail attachment if it is difficult to install carriage bolts. (Note the block spacer is to eliminate crushing bed corrugation.) Attach .25" x 1" x 3" block (5), 1/2" conical washers and 1/2" nut to the underside of the brackets per the illustrations and tighten snug to keep the mounting rail from moving. (For Row 1)**
14. **The forward side of the rear rail's holes (row 2) will fasten through the bed sill as shown in Figure 1 with the tube spacer, 4-1/2" carriage bolt, 1/2" conical washers and 1/2" nut fastening to the underside of the bed support.**
15. Place the unassembled 5th wheel saddles/slider/goose into the already installed **rear** mounting rail. Position the front mounting rail with the saddles/slider/goose by inserting the tabs into the mounting rail and pushing the mounting rail tight towards the other mounting rail. Ensure that the mounting rail is centered between the weld seams **on the length** of the truck box floor. This will position the mounting rail in the correct location and ensure that the 5th wheel will have a snug fit to the truck.  
**NOTE:** If more than one hitch product will be used with the rails then both should be used at the same time to align the second rail. This will ensure that one product does not compromise the fit of the other.
16. **Mark, center punch, and drill 1/8" holes per figure 2 for row 3 and 4. Repeat steps 8 and open these 1/8" holes to 9/16". Paint all bare metal.**
17. Move the **front** mounting rail into position. Install the 1/2"-13 x 2" carriage bolts with the block spacer to be located in the corrugation between the box and the mounting rail or between the box and front brackets (1) (2). **(Note the block spacer is to eliminate crushing bed corrugation.)** The rear end of the front brackets (Row 3) will be attached using the 1/4" x 1" x 3" block (5), 1/2" conical washers and 1/2" nut **as** shown in Figure 1. Attach the forward side of the front brackets (Row 4) with spacers, washers and nuts as per the illustrations and tighten snug to keep the mounting rail from moving.
18. After fully installing the 50054 custom mounting brackets, tighten the fasteners in the following sequence. **Note: Torque all 1/2" hardware to 75 ft-lbs 102 (N\*M) and all M12 hardware to 92 ft-lbs (125 N\*M). First torque the mounting rails to the frame brackets and then torque the frame brackets to the truck frame.**
19. Reinstall electrical wire loom and brake lines. Replace inner plastic wheel well liner to body, if removed, reinstall spare tire.

# Installation Instructions

## CUSTOM QUICK INSTALL

### MOUNTING KIT

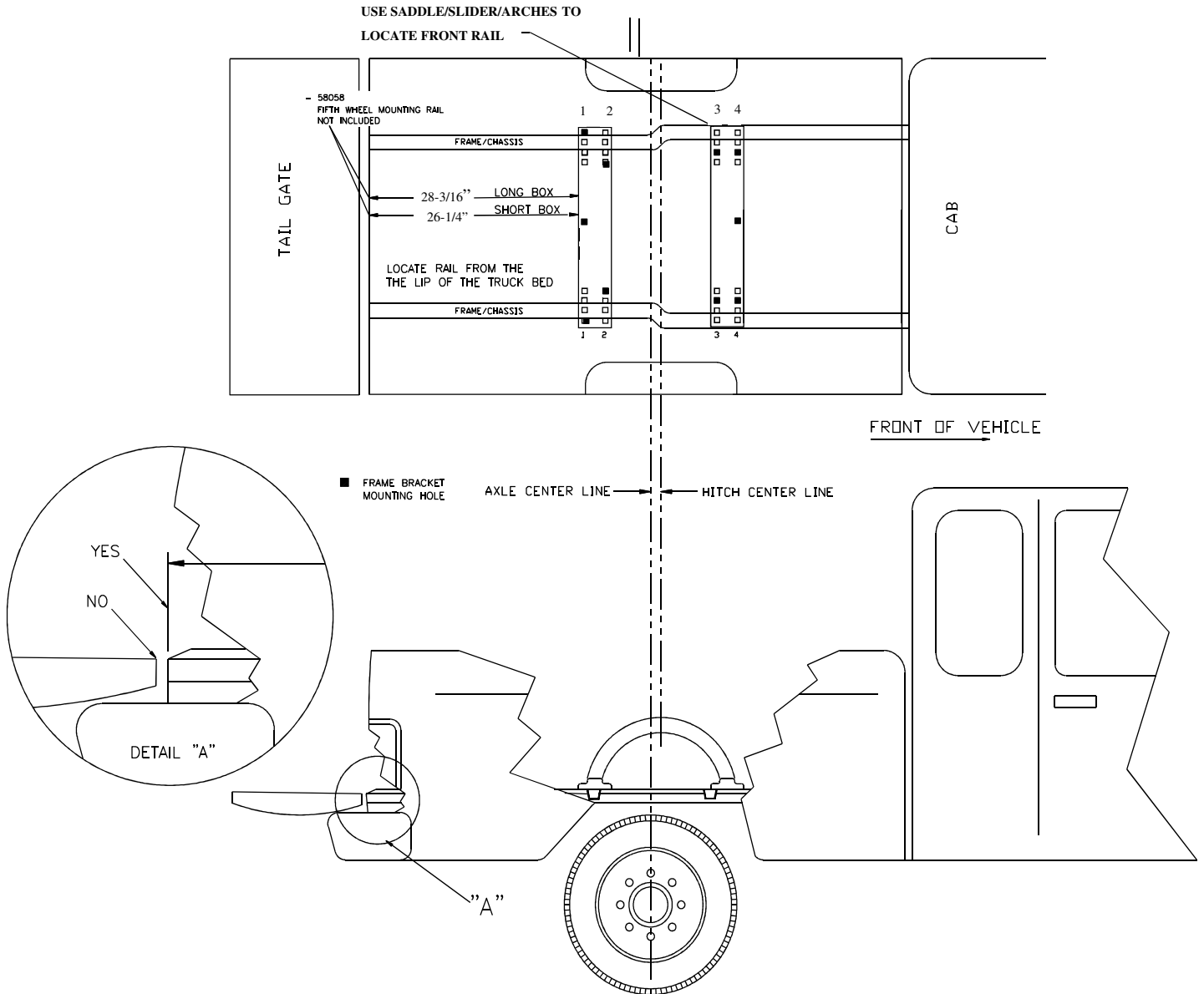
#### Ram 2500

Part Numbers:  
**50054**

**Figure 2**

### Position the Rail

#### RAILS 58058 OR 30035 ONLY

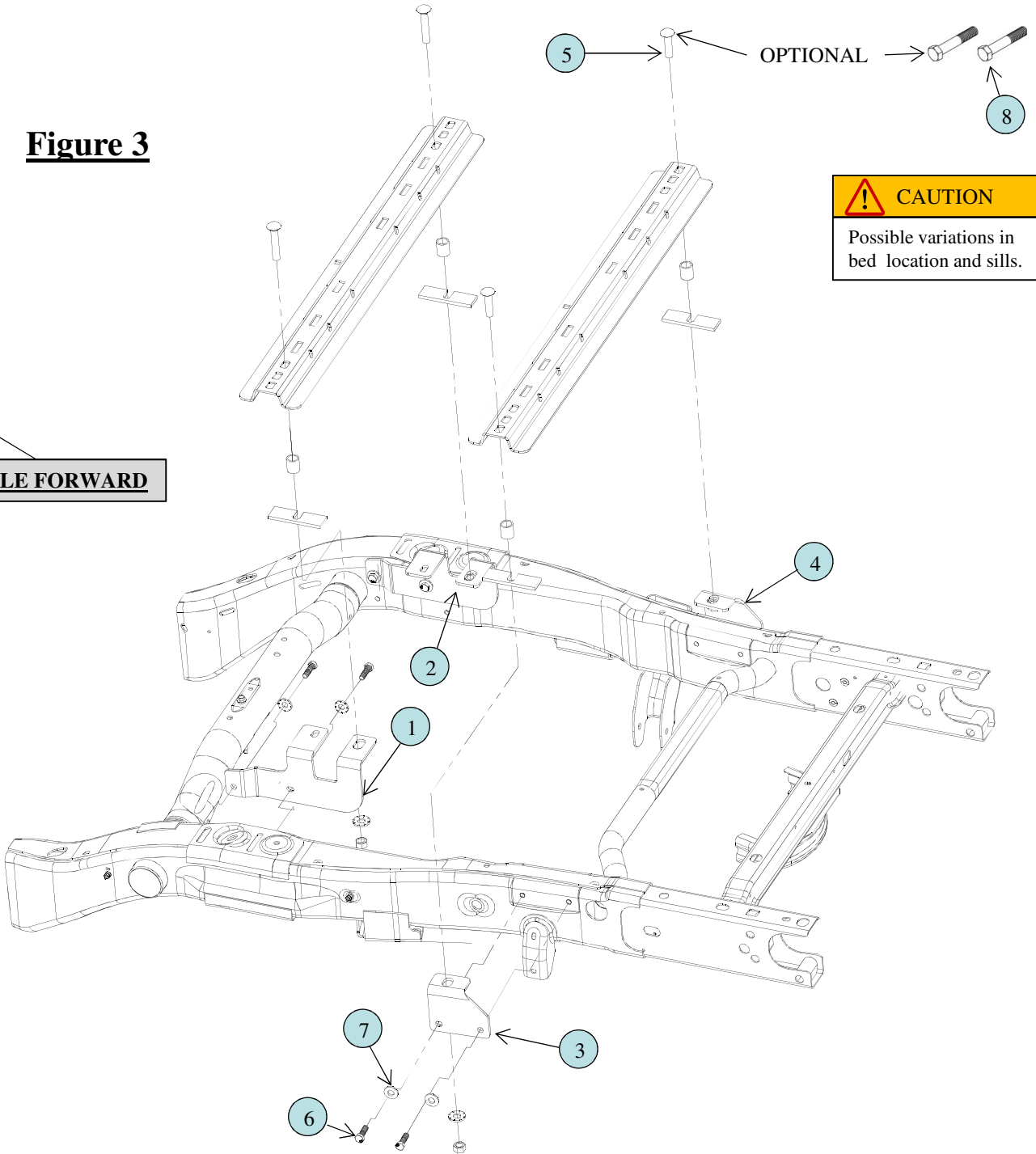


## FOR RAILS 58058 OR 30035 ONLY

# INSTALLATION SHOWN FOR THE 30124 OR 30095 RAILS

**Figure 3**

**VEHICLE FORWARD**



**CAUTION**  
Possible variations in bed location and sills.

ITEM	DESCRIPTION	QUANTITY	ITEM	DESCRIPTION	QUANTITY
1	BRACKET, DRIVER FRONT	1	7	CONICAL WASHER, 1/2"	8
2	BRACKET, PASSENGER FRONT	1	8	BOLT, 5/8"-11 X 3.5"	2
3	BRACKET, DRIVER REAR	1	<b><u>All of the fasteners listed are supplied with this kit, all other mentioned fasteners are supplied with rail kit 30124</u></b>		
4	BRACKET, PASSENGER REAR	1			
5	CARRIAGE BOLT, 5/8"- 11 X 2.5"	2			
6	BOLT, M12 - 40MM - 1.5" CL 10.9	8			

Printed in Mexico

**FOR  
INSTALLATION OF  
30124 OR 30095  
RAIL KITS**

**Installation Instructions  
CUSTOM QUICK INSTALL  
MOUNTING KIT  
Dodge Ram 2500**

Part Numbers:  
**50054**

1. Do not install mounting rails over plastic bed liners. Plastic bed liners must be cut out of the way to provide metal to metal contact. Mounting rails may be installed on spray in liners.
2. Use only bolts, nuts, and washers supplied to install this kit. All bolts & nuts are Grade 5 unless otherwise specified.
3. These instructions are guidelines only, actual installation is the responsibility of the installer and the owner. Always measure truck and trailer before installing hitch to be sure that there is clearance at the cab and at the bumper to allow for turns.
4. Lower and remove spare tire if extra room is needed. Remove inner plastic wheel well liner to allow access to frame.
5. Detach the electrical wire loom and brake lines from the inside driver side of the frame.
6. Place the rear mounting rail in the box of the truck, using your tape measure, center the rail between the weld seams of the truck box floor and the proper distance from the rear edge of the truck box as shown in Figure 2.  
**Note:** It is critical that rail is centered side to side on the truck bed.
7. Mark and center punch the holes as shown in Figure 4. Remove the rail and drill each position with a 1/8" drill bit.
8. Temporarily position the frame bracket on the outside of the frame and check that the 1/8" drilled holes align with the slots of the frame bracket. Remove the frame bracket from the vehicle.
9. Enlarge the 1/8" drilled holes to 1 1/8". **Paint all bare metal.**
10. Loosely install the rear frame brackets (3)(4) by attaching the bolts (6), conical washers (7). (See Figure 3)
11. Move rear mounting rail into position. Install the 5/8"-11 x 2.5" (5) carriage bolts that are supplied with the .657" x 1.271" tube spacer along with the block spacer to be located in the corrugation between the box and the mounting rail or between the box and rear brackets (3) (4). The 5/8"-11 x 3.5" hex head bolts (8), may be used in place of the carriage bolts on the rearward most rail attachment if it is difficult to install carriage bolts. **(Note the block spacer is to eliminate crushing bed corrugation.)** Attach 5/8" conical washers and 5/8" nut to the underside of the brackets per the illustrations and tighten snug to keep the mounting rail from moving.
12. Place the unassembled 5<sup>th</sup> wheel support arches/slider/goose into the already installed **rear** mounting rail. Position the forward mounting rail with the support arches/slider/goose by inserting the tabs into the mounting rail and pushing the mounting rail tight towards the other mounting rail. Ensure that the mounting rail is centered on the bed of the vehicle. This will position the rail in the correct location and ensure that the 5<sup>th</sup> wheel will have a snug fit to the truck. **Note:** If more than one hitch product will be used with the mounting rails then both types should be used at the same time to align the rearward mounting rail. This will ensure that one product does not compromise the fit of the other.
13. Repeat steps 8 through 10 **for the front rail.**
14. Move the **front** mounting rail into position. Install the 5/8"-11 x 3" carriage bolts that are supplied with the rails with .657" x 1.271" tube spacer along with the block spacer to be located in the corrugation between the box and the mounting rail or between the box and front brackets (1) (2), through the rail and front brackets (1) (2). **(Note the block spacer is to eliminate crushing bed corrugation.)** Attach 5/8" conical washers and 5/8" nut to the underside of the brackets per the illustrations and tighten snug to keep the mounting rail from moving.
15. After fully installing the 50054 custom mounting brackets, tighten the fasteners in the following sequence. **Note: Torque all 5/8" hardware to 150 ft-lbs (204 N\*M) and all M12 hardware to 92 ft-lbs (125 N\*M). First torque the mounting rails to the frame brackets and then torque the frame brackets to the truck frame.**
16. Reinstall electrical wire loom and brake lines. Replace inner plastic wheel well liner to body, if removed reinstall spare tire.

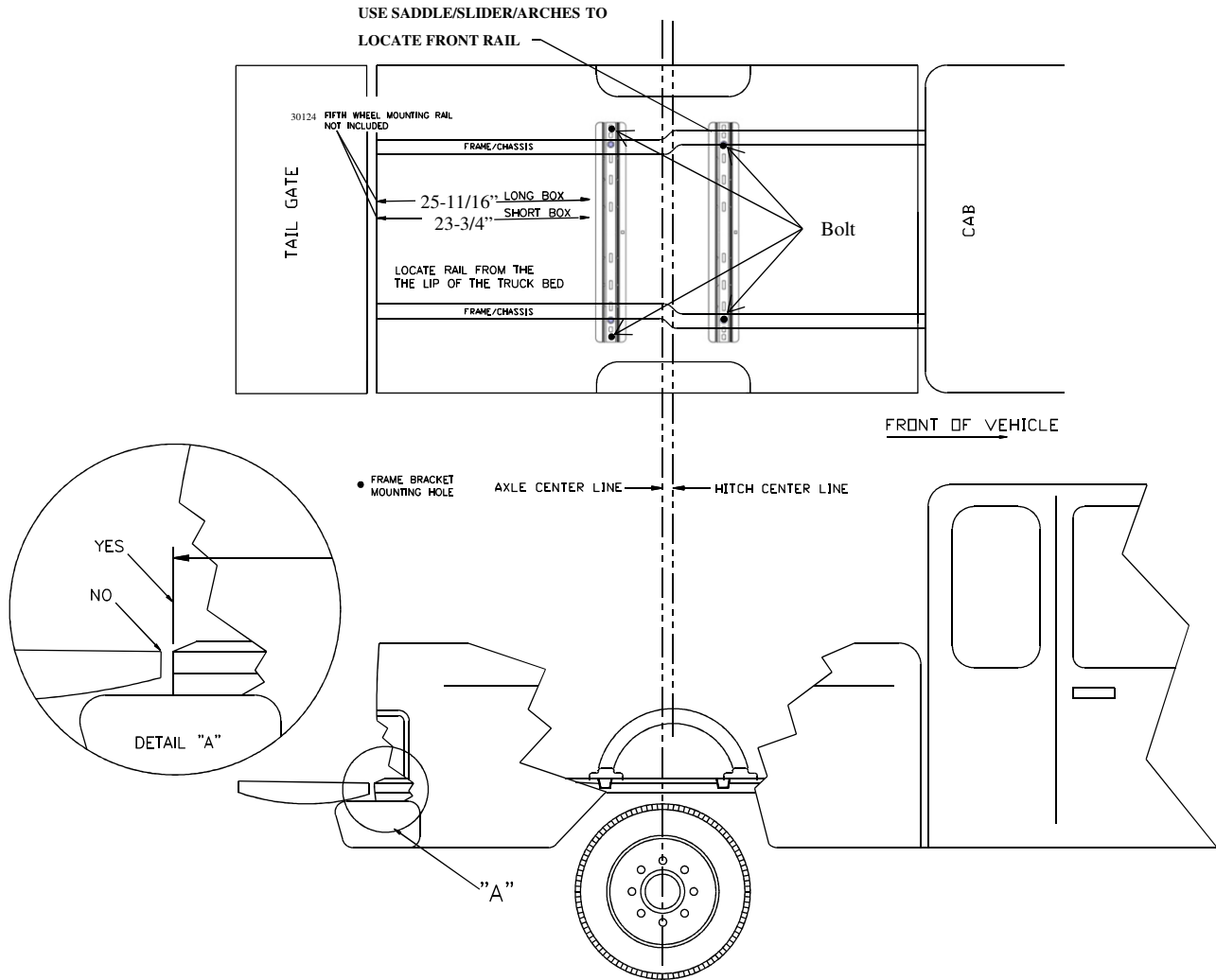
**Installation Instructions**  
**CUSTOM QUICK INSTALL**  
**MOUNTING KIT**  
**Ram 2500**

Part Numbers:  
**50054**

**Figure 4**

**Position the Rail**

**RAILS 30095 OR 30124 ONLY**



**FOR RAILS 30124 OR 30095 ONLY**

# PORTADA

RAM 2500

KIT DE MONTAJE PARA INSTALACIÓN

RÁPIDA A LA MEDIDA 50054

Kits de 10 pernos, páginas 1-3

Kits de 4 pernos, páginas 4-6

## ¡NOTA!

Antes de instalar el producto, visite uno de nuestros sitios web para asegurar que su equipo contiene la revisión más reciente de las instrucciones de instalación y verificar la aplicación del vehículo.

***[www.ReeseProducts.com](http://www.ReeseProducts.com)***

# Instrucciones de instalación

## KIT DE MONTAJE PARA INSTALACIÓN RÁPIDA A LA MEDIDA Ram 2500

Números de partes:

50054

**SE MUESTRA LA INSTALACIÓN PARA LOS LARGUEROS 58058 O 30035**

**Equipo necesario:**

Kit de tornillos: 50054F

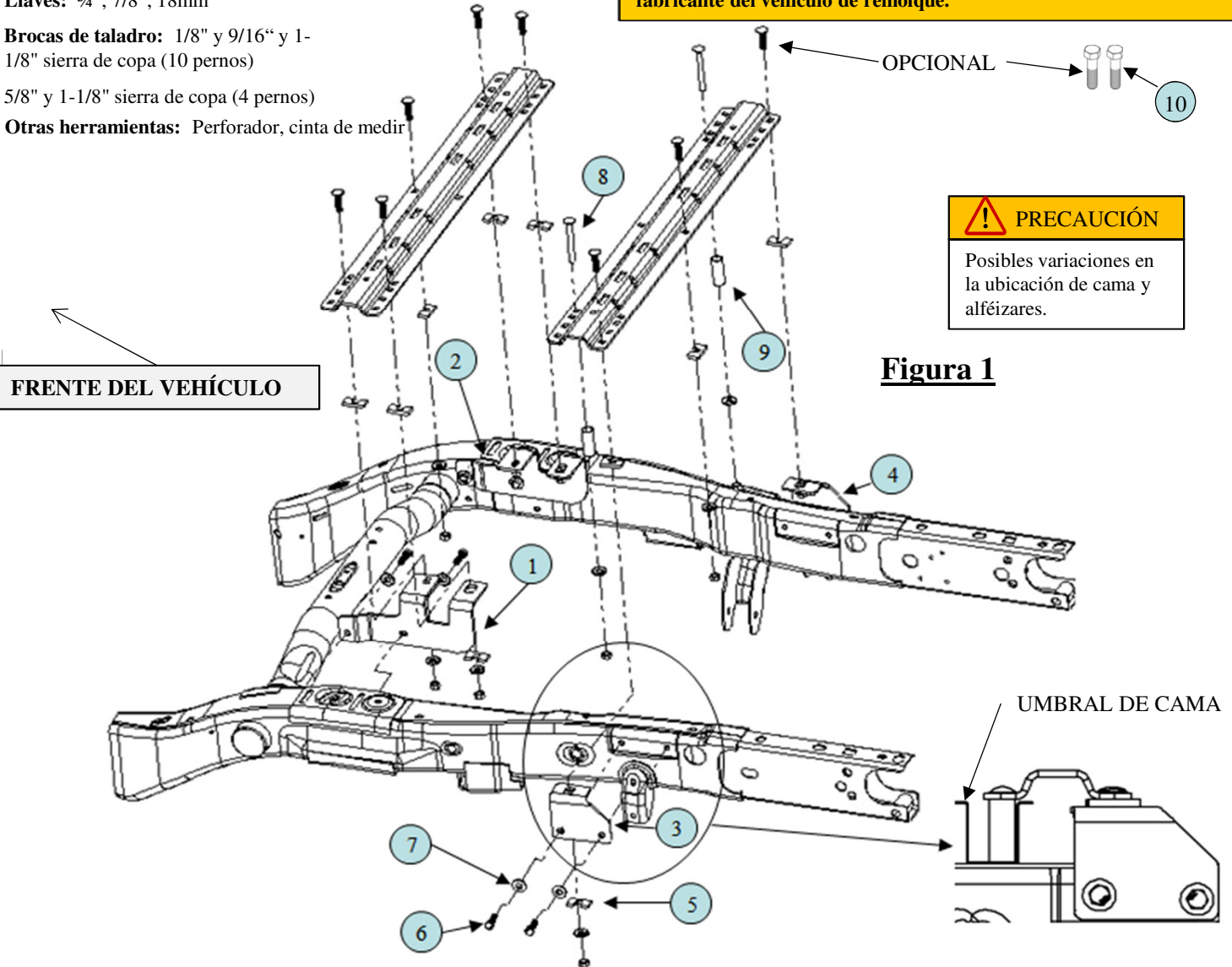
Llaves: 3/4", 7/8", 18mm

Brocas de taladro: 1/8" y 9/16" y 1-1/8" sierra de copa (10 pernos)

5/8" y 1-1/8" sierra de copa (4 pernos)

Otras herramientas: Perforador, cinta de medir

**ADVERTENCIA:** Bajo ninguna circunstancia recomendamos superar la capacidad de remolque del vehículo recomendada por el fabricante del vehículo de remolque.



**Figura 1**

PIEZA	DESCRIPCIÓN	CANTIDAD	PIEZA	DESCRIPCIÓN	CANTIDAD
1	SOPORTE DELANTERO, CONDUCTOR	1	7	ARANDELA CÓNICA, 1/2"	8
2	SOPORTE DELANTERO, PASAJERO	1	8	PERNO DE CARRO, 1/2 "-13 X 4.5"	2
3	SOPORTE, TRASERO CONDUCTOR	1	9	ESPACIADOR DEL TUBO	2
4	SOPORTE, TRASERO PASAJERO	1	10	PERNO, 1/2 "-13 X 2" GR. 5	2
5	BLOQUE, .25" X 1" X 3"	4	<p><b>Todos los fijadores que se indican vienen con este kit, todas las otras piezas mencionadas se suministran con el número de kit de largueros 58058.</b></p>		
6	PERNO, M12 - 40MM - 1.5" CL 10.9	8			

**PARA LA  
INSTALACIÓN DE  
LOS KITS DE  
LARGUEROS 58058 O  
30035**

**Instrucciones de instalación  
KIT DE MONTAJE PARA  
INSTALACIÓN RÁPIDA A LA MEDIDA  
**RAM 2500****

Números de partes:  
**50054**

1. No instale largueros de montaje sobre los forros plásticos de la cama. Los forros plásticos de la cama deben cortarse para permitir contacto de metal a metal. Los largueros de montaje se pueden instalar en forros aplicados con spray.
2. Use únicamente pernos, tuercas y arandelas suministrados para instalar este kit. Todos los pernos y tuercas son Grado 5 a menos que se especifique lo contrario.
3. Estas instrucciones son pautas únicamente, la instalación real es responsabilidad del instalador y del propietario. Siempre mida el vehículo y el remolque antes de instalar el enganche para verificar que haya espacio en la cabina y en el parachoques para permitir los giros.
4. Baje y retire la llanta de repuesto si es necesario el espacio adicional. Retire el forro plástico interior del receptáculo de la llanta para permitir el acceso al bastidor.
5. Desprenda el cableado eléctrico y las líneas del freno del interior del bastidor del lado del conductor.
6. Coloque el larguero de montaje trasero en la caja del vehículo, usando la cinta de medir, centre el larguero entre las costuras de soldar a lo largo del piso de la caja del vehículo y la distancia correcta desde el borde trasero de la caja del vehículo como se ilustra en la Figura 2.  
**Nota:** Es esencial que el larguero quede centrado de lado a lado en la cama del vehículo.
7. Marque y perforo los orificios según la ilustración en la Figura 2 (Filas 1 y 2). Retire el larguero y perforo cada posición con una broca de 1/8".  
**Nota:** Habrá perforación a través de la parte superior e inferior de la alféizar perpendicular con la cama de camión
8. Coloque temporalmente el soporte del bastidor en el exterior del bastidor y revise que los orificios perforados de 1/8" se alineen con las ranuras del soporte del bastidor. Retire el soporte del bastidor del vehículo.
9. **Incremente los 1/8 orificios perforados en la fila 1 a 9/16. Incremente los 1/8 orificios perforados en la fila 2 a 1-1 / 8 (sólo ondulaciones cama). La parte inferior de la solera cama requiere un agujero de 9/16. Pintar todo el metal desnudo.**
10. Sin apretar instale los soportes del bastidor (frente (1) (2) y atrás (3) (4)) instalando los pernos (6), las arandelas cónicas (7). (Ver Figura 1).
11. **Instale el tubo espaciador (artículo 9)**
12. **Mueva el larguero de montaje posterior en su posición. Instale los pernos de carruaje 1/2 "-13 x 2 que se suministran con los larguero y el 1/2" -13 x 4-1 / 2 de este kit con el bloque espaciador. Espaciadores bloque que se encuentran en la corrugación entre la caja y el larguero de montaje o entre los soportes de caja y los soportes traseros.**
13. **El 1/2 "-13 x 2" tornillos de cabeza hexagonal (10) Puede ser la usado en lugar de los pernos del carro en la más atrasada apego carril si es dificultad para instalar los pernos del carro. (Observe que el espaciador en bloque es para eliminar el corrugado abultado de la cama.) Instale el bloque de 1/4" x 1" x 3" (5), las arandelas cónicas y la tuerca de 1/2" en la parte inferior de los soportes según las ilustraciones y apriete con firmeza para impedir que el larguero de montaje se mueva. (Para la fila 1)**
14. **La delantero de los agujeros del riel trasero (fila 2) se fije a través del soporte del lecho como se muestra en la Figura 1 con el tubo espaciador, 4-1 / 2 "perno de carro, 1/2" arandelas cónicas y 1/2 "de sujeción de tuerca a la parte inferior de el soporte de lecho.**
15. **Coloque la 5ta rueda/montura/deslizador/ganso sin armar dentro del trasero larguero de montaje ya instalado. Coloque el larguero de montaje delantero con el deslizador/montura/ganso insertando las lengüetas dentro del larguero de montaje y empujando el larguero de montaje firmemente hacia el otro larguero de montaje. Verifique que el larguero de montaje esté centrado entre las costuras de soldar a lo largo del piso de la caja del vehículo. Esto posicionará el larguero de montaje en la ubicación correcta y verificará que la quinta rueda quede ajustada en el vehículo. NOTA: Si se va a usar más de un producto con los largueros ambos entonces se deben usar al para alinear el segundo larguero. Esto asegurará que un producto no comprometa el ajuste del otro.**
16. **Marcos, punzón, y un taladro de 1/8 "agujeros por la figura 2 de la fila 3 y 4. Repita los pasos 8 y abrir estos 1/8" agujeros de 9/16 ". Pintar todo el metal desnudo.**
17. **Mueva el riel de montaje frontal en su posición. Instale los pernos de carruaje 1/2 "-13 x 2" con el separador de bloques que se ubicará en la ondulación entre la caja y el carril de montaje o entre la caja y soportes delanteros (1) (2). (Tenga en cuenta el bloque espaciador es eliminar aplastamiento cama ondulación.) El extremo posterior de los soportes delanteros (fila 3) Se adjunta el uso de / 4 "x 1" "bloque (5), 1/2" x 3 the1 arandelas cónicas y 1/2 " tuerca como se muestra en la Figura 1. Coloque el lado delantero de los soportes delanteros (fila 4) con espaciadores, arandelas y tuercas como por las ilustraciones y ajuste apretado un poco para mantener el carril de montaje se mueva.**
18. **Después de instalar completamente los soportes montaje 50054 a la medida, apriete los fijadores en la siguiente secuencia. Nota: Apriete todas las piezas de 1/2" a 75 pies-lbs. 102 (N\*M) y todas las piezas M12 a 92 pies-lbs. (125 N\*M). Primero apriete los largueros de montaje en los soportes del bastidor y luego apriete los soportes del bastidor al bastidor del vehículo.**
19. **Vuelva a instalar los cables eléctricos y las líneas del freno. Reemplace el forro plástico interno de la rueda hasta la carrocería, vuelva a instalar la llanta de repuesto si se retiró.**

# Instrucciones de instalación

Números de partes:

## KIT DE MONTAJE PARA INSTALACIÓN RÁPIDA A LA MEDIDA Ram 2500

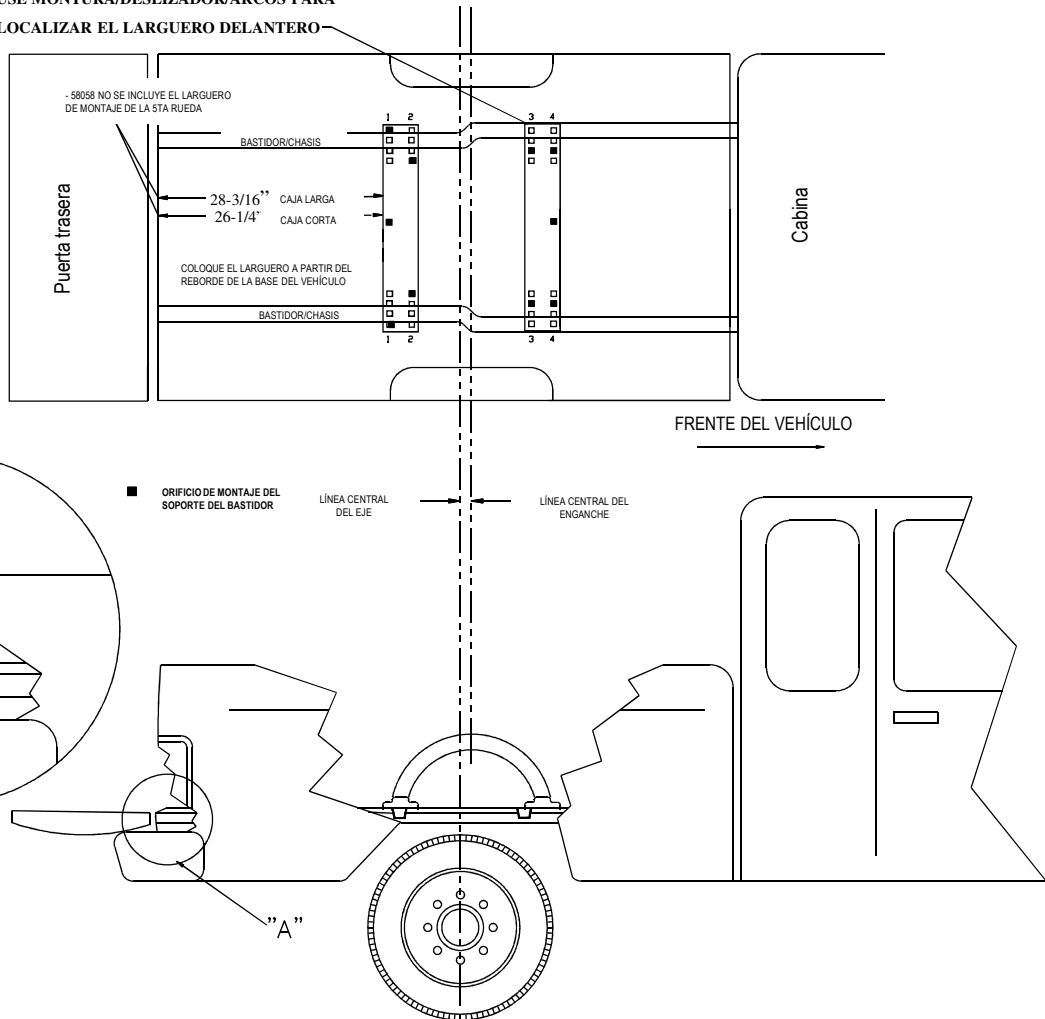
50054

**Figura 2**

Posicione el larguero

### LARGUEROS 58058 O 30035 ÚNICAMENTE

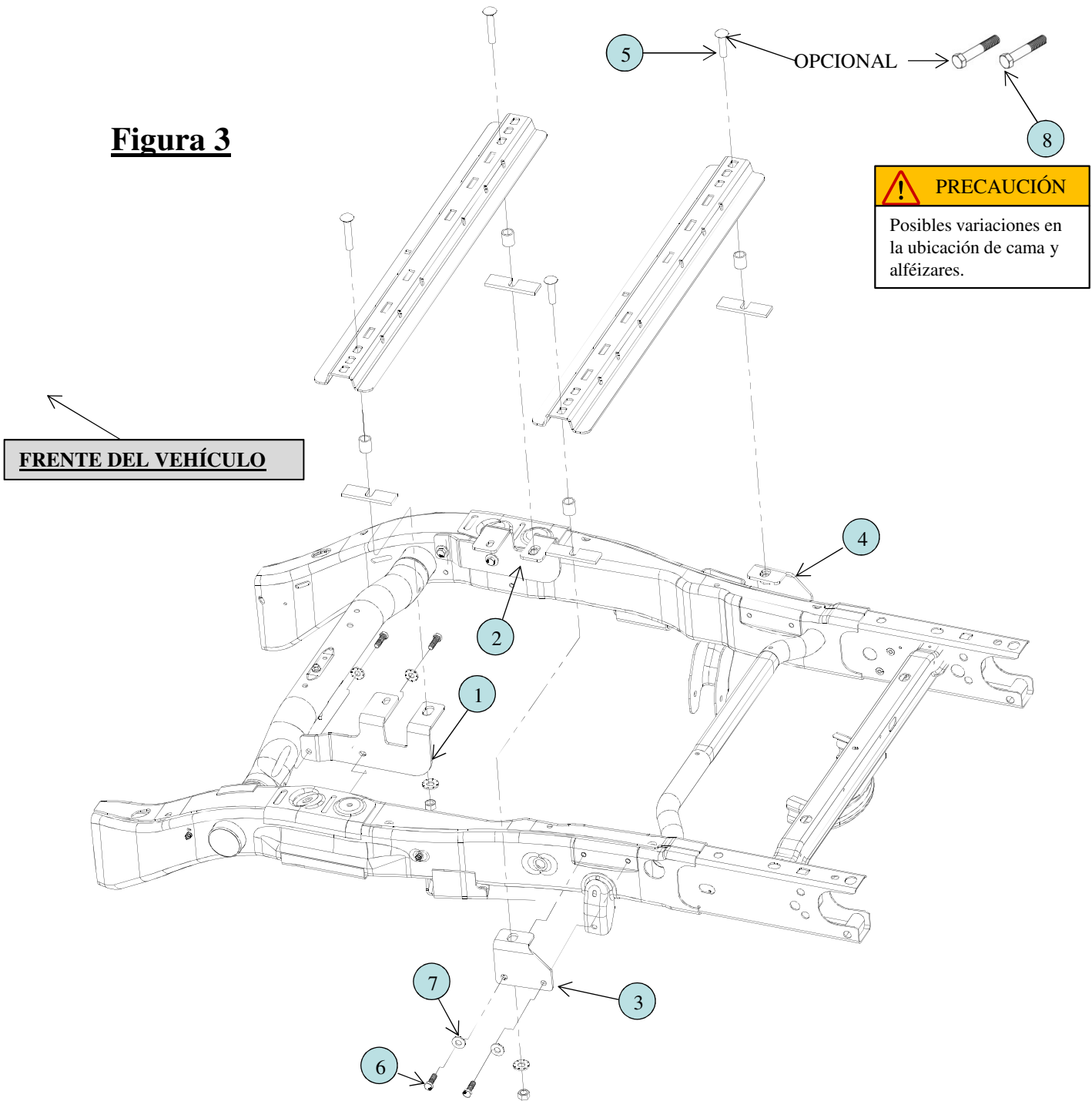
USE MONTURA/DESLIZADOR/ARCOS PARA  
LOCALIZAR EL LARGUERO DELANTERO



## PARA LARGUEROS 58058 O 30035 ÚNICAMENTE

# SE MUESTRA LA INSTALACIÓN PARA LOS LARGUEROS 30124 O 30095

**Figura 3**



PIEZA	DESCRIPCIÓN	CANTIDAD	PIEZA	DESCRIPCIÓN	CANTIDAD
1	SOPORTE DELANTERO, CONDUCTOR	1	7	ARANDELA CÓNICA, 1/2"	8
2	SOPORTE DELANTERO, PASAJERO	1	8	PERNO, 5/8"- 11 X 3.5"	2
3	SOPORTE TRASERO, CONDUCTOR	1	<p><b>Todos los fijadores que se indican vienen con este kit, todas las otras piezas mencionadas se suministran con el número de kit de largueros 30124.</b></p>		
4	SOPORTE TRASERO, PASAJERO	1			
5	PERNO DE CARRUAJE, 5/8"- 11 X 2.5"	2			
6	PERNO, M12 - 40MM - 1.5" CL 10.9	8			

**PARA LA  
INSTALACIÓN DE  
LOS KITS DE  
LARGUEROS 30124  
O 30095**

**Instrucciones de instalación  
KIT DE MONTAJE PARA  
INSTALACIÓN RÁPIDA A LA  
MEDIDA Dodge Ram 2500**

Números de partes:  
**50054**

1. No instale largueros de montaje sobre los forros plásticos de la cama. Los forros plásticos de la cama deben cortarse para permitir contacto de metal a metal. Los largueros de montaje se pueden instalar en forros aplicados con spray.
2. Use únicamente pernos, tuercas y arandelas suministrados para instalar este kit. Todos los pernos y tuercas son Grado 5 a menos que se especifique lo contrario.
3. Estas instrucciones son pautas únicamente, la instalación real es responsabilidad del instalador y del propietario. Siempre mida el vehículo y el remolque antes de instalar el enganche para verificar que haya espacio en la cabina y en el parachoques para permitir los giros.
4. Baje y retire la llanta de repuesto si es necesario el espacio adicional. Retire el forro plástico interior del receptáculo de la llanta para permitir el acceso al bastidor.
5. Desprenda el cableado eléctrico y las líneas del freno del interior del bastidor del lado del conductor.
6. Coloque el larguero de montaje trasero en la caja del vehículo, usando la cinta de medir, centre el larguero entre las costuras de soldar a lo largo del piso del vehículo y la distancia correcta desde el borde posterior de la caja del vehículo como se ilustra en la Figura 2.

**Nota:** Es esencial que el larguero quede centrado de lado a lado en la cama del vehículo.

7. Marque y perfore los orificios según la ilustración en la Figura 4. Retire el larguero y perfore cada posición con una broca de 1/8".
8. Coloque temporalmente el soporte del bastidor en el exterior del bastidor y revise que los orificios perforados de 1/8" se alineen con las ranuras del soporte del bastidor. Retire el soporte del bastidor del vehículo.
9. Incremente los orificios perforados de 1/8" a 1 1/8". **Pintar todo el metal desnudo.**
10. Sin apretar instale los soportes del bastidor (frente (1) (2) y atrás (3) (4)) instalando los pernos (6), las arandelas cónicas (7). (Ver Figura 3).
11. Mueva el larguero de montaje trasero a su posición. Instale los pernos de carruaje de 5/8"-11 x 2.5" que se suministran con el tubo espaciador de .657" x 1.271" junto con el espaciador en bloque que se ubicará en el corrugado entre la caja y el larguero de montaje o entre la caja y los soportes traseros (3) (4), a través del larguero y los soportes traseros (3) (4). Los tornillos de cabeza hexagonal de 5/8 "-11 x 3.5" (8) Puede ser la agricultura en lugar de los pernos del carro en la más atrasada apego carril si es dificultad para instalar los pernos del carro. **(Observe que el espaciador en bloque es para eliminar el corrugado abultado de la cama.)** Instale las arandelas cónicas de 5/8" en la parte inferior de los soportes según las ilustraciones y apriete con firmeza para impedir que el larguero de montaje se mueva.
12. Coloque el soporte de 5ta rueda/arcos/deslizador/ganso dentro del larguero de montaje ya instalado. Coloque el larguero de montaje delantero con los arcos/deslizador/ganso de soporte insertando las lengüetas dentro del larguero de montaje y empujando el larguero de montaje firmemente hacia el otro larguero de montaje. Verifique que el larguero de montaje esté centrado en la base del vehículo. Esto posicionará el larguero en la ubicación correcta y asegurará que la 5ª rueda quede ajustada en el vehículo. **Nota:** Si se va a usar más de un producto de enganche con los largueros de montaje entonces se deben usar ambos tipos al mismo tiempo para alinear el larguero de montaje trasero. Esto asegurará que un producto no comprometa el ajuste del otro.
13. **Repita los pasos 8 a 10 para el riel delantero.**
14. Mueva el riel de montaje **frontal** en su posición. Instale los 5/8"-11 x 3" perno del soporte a que se suministran con los rieles con 0.657" x 1.271" tubo separador junto con el separador de bloques que se ubicará en la ondulación entre la caja y el carril de montaje o entre la caja y los soportes delanteros (1) (2), a través de la barandilla y los soportes delanteros (1) (2). **(Tenga en cuenta el bloque espaciador es eliminar trituración cama corrugación.)** Instale las arandelas cónicas de 5/8" en la parte inferior de los soportes según las ilustraciones y apriete con firmeza para impedir que el carril de montaje se mueva.
15. Después de instalar completamente los soportes montaje 50054 a la medida, apriete los fijadores en la siguiente secuencia. **Nota: Apriete todas las piezas de 5/8" a 150 pies-lbs. (204 N\*M) y todas las piezas M12 a 92 pies-lbs. (125 N\*M). Primero apriete los largueros de montaje en los soportes del bastidor y luego apriete los soportes del bastidor al bastidor del vehículo.**
16. Vuelva a instalar los cables eléctricos y las líneas del freno. Reemplace el forro plástico interno de la rueda hasta la carrocería, vuelva a instalar la llanta de repuesto si se retiró.

# Instrucciones de instalación

Números de partes:

## KIT DE MONTAJE PARA INSTALACIÓN RÁPIDA A LA MEDIDA Ram 2500

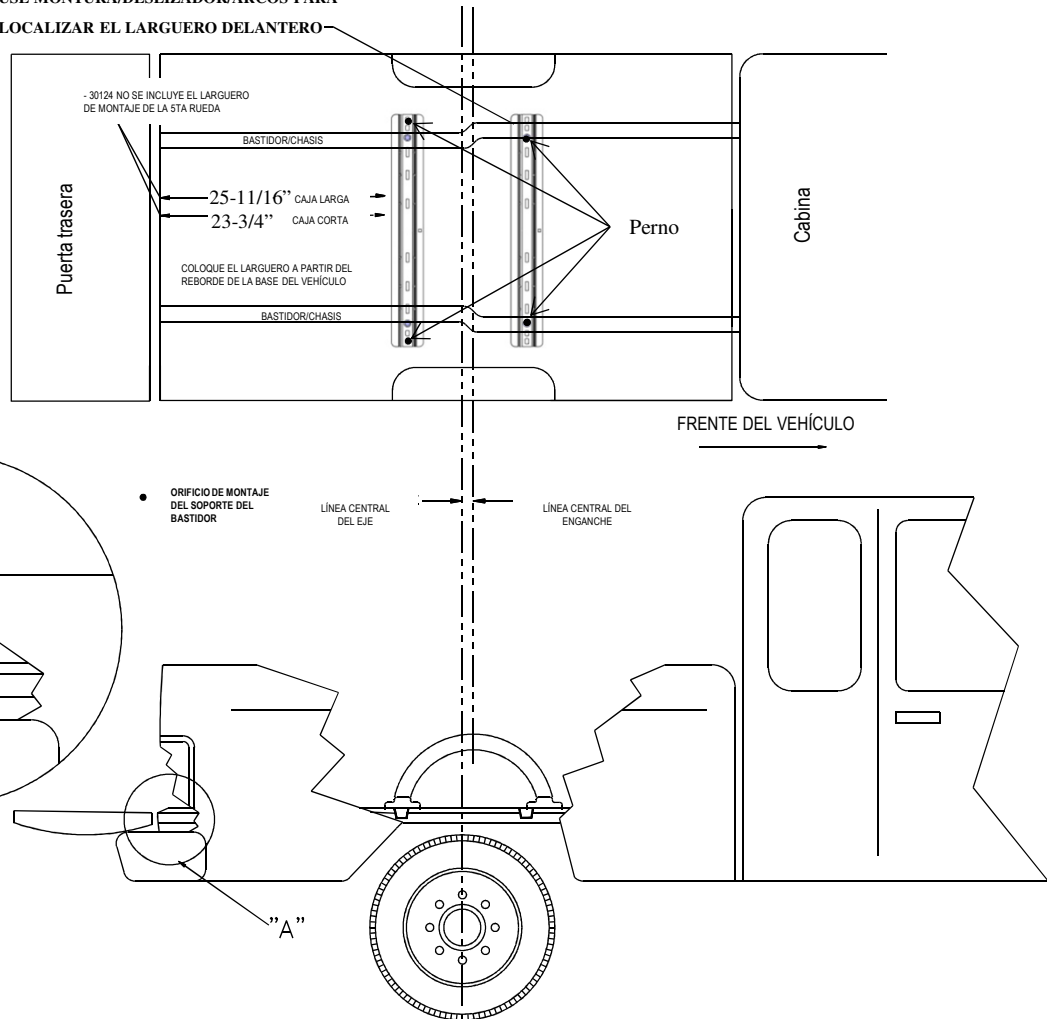
**50054**

**Figura 4**

**Posicione el larguero**

### **LARGUEROS 30095 O 30124 ÚNICAMENTE**

USE MONTURA/DESLIZADOR/ARCOS PARA  
LOCALIZAR EL LARGUERO DELANTERO



## **PARA LARGUEROS 30124 O 30095 ÚNICAMENTE**

# PAGE DE COUVERTURE

RAM 2500

NÉCESSAIRE DE MONTAGE

RAPIDE SUR MESURE 50054

Ensembles à 10 boulons, pages 1-3

Ensembles à 4 boulons, pages 4-6

## NOTA!

Avant d'installer le produit, veuillez visiter un de nos sites Web pour vous assurer que votre ensemble contient la plus récente version des instructions d'installation et vérifier l'application qui convient à votre véhicule.

***[www.ReeseProducts.com](http://www.ReeseProducts.com)***

# Instructions d'installation

**NÉCESSAIRE DE MONTAGE RAPIDE SUR MESURE**

**Numéro de pièce :**

**Ram 2500**

**50054**

**INSTALLATION ILLUSTRÉE POUR LES TRAVERSES DE MONTAGE 58058 OU 30035**

**Équipement requis :**

Visserie : 50054F

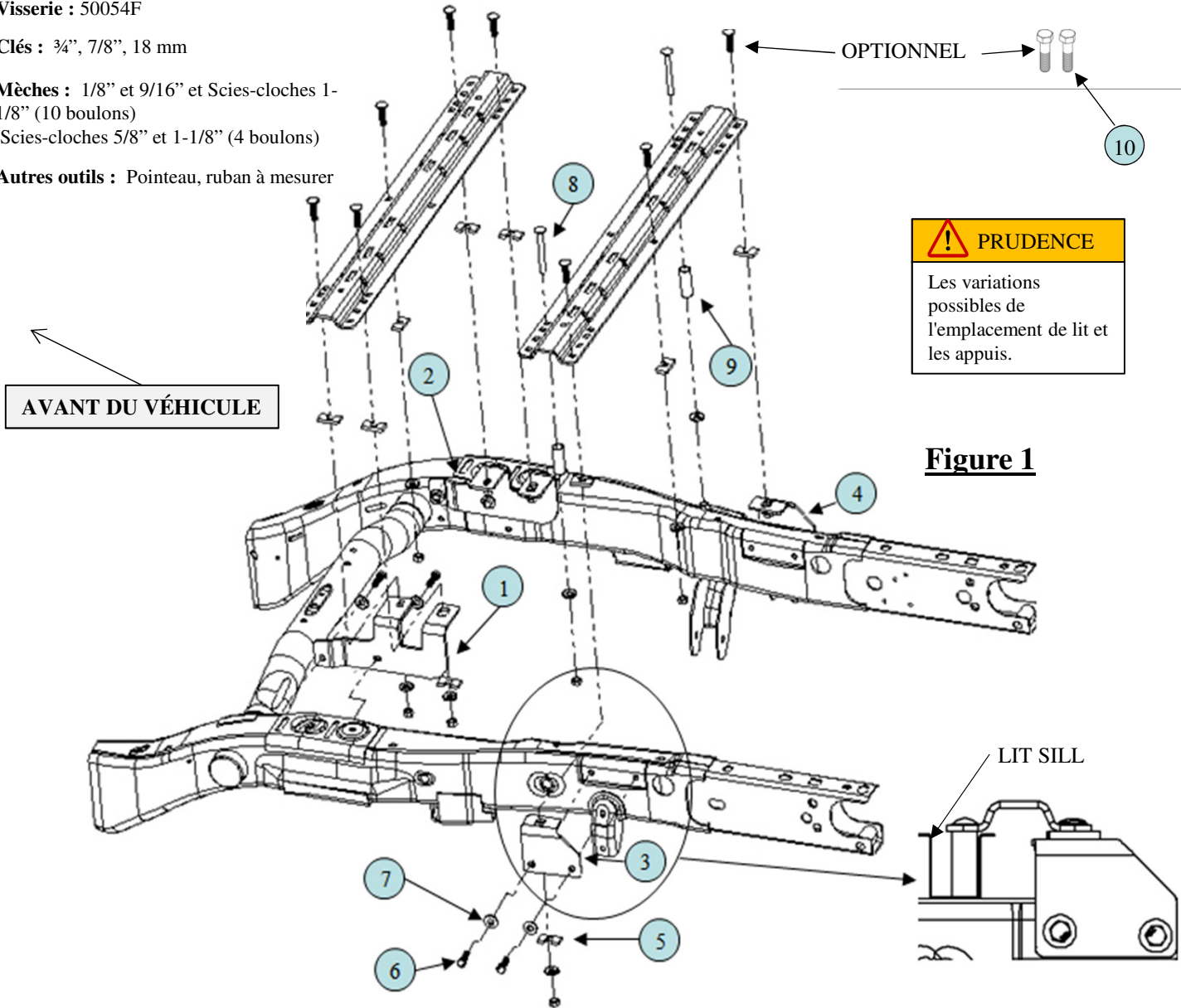
Clés : 3/4", 7/8", 18 mm

Mèches : 1/8" et 9/16" et Scies-cloches 1-1/8" (10 boulons)

Scies-cloches 5/8" et 1-1/8" (4 boulons)

Autres outils : Pointeau, ruban à mesurer

**AVERTISSEMENT :** En aucun cas nous ne recommandons de dépasser la capacité de charge indiquée par le fabricant du véhicule de remorquage.



**! PRUDENCE**  
Les variations possibles de l'emplacement de lit et les appuis.

**Figure 1**

ART.	DESCRIPTION	QUANTITÉ	ART.	DESCRIPTION	QUANTITÉ
1	SUPPORT, AVANT CONDUCTEUR	1	7	RONDELLE CONIQUE, 1/2"	8
2	SUPPORT, AVANT PASSAGER	1	8	BOULON, 1/2 "-13 X 4.5"	2
3	SUPPORT, ARRIÈRE CONDUCTEUR	1	9	TUBE SPACER	2
4	SUPPORT, ARRIÈRE PASSAGER	1	10	BOULON, 1/2 "-13 X 2" GR. 5	2
5	BLOC, .25" X 1" X 3"	4	<b>Toutes les fixations listées sont fournies avec cet ensemble, toutes les autres fixations mentionnées sont fournies avec l'ensemble de traverses de montage 58058.</b>		
6	BOULON, M12 - 40MM - 1.5" CL 10.9	8			

**Instructions d'installation**  
**NÉCESSAIRE DE MONTAGE**  
**RAPIDE SUR MESURE**  
**Ram 2500**

1. N'installez pas les traverses sur la doublure de caisse en plastique. La doublure de caisse en plastique doit être découpée pour permettre le contact métal à métal. Les traverses peuvent être installées sur une doublure pulvérisée en place.
2. Utilisez seulement les boulons, écrous et rondelles fournis pour installer ce produit. Tous les boulons et les écrous sont de grade 5 sauf indication contraire.
3. Ces instructions sont données à titre indicatif, l'installation demeure la responsabilité de l'installateur et du propriétaire. Mesurez toujours la camionnette et la remorque avant d'installer l'attelage pour vous assurer que le dégagement à la cabine et au pare-chocs est suffisant pour permettre les virages.
4. Abaisser et enlever le pneu de secours si de l'espace supplémentaire est requis. Enlever la doublure des passages de roue intérieurs en plastique pour permettre l'accès au cadre.
5. Détacher le tube flexible du filage électrique et les conduites de frein depuis l'intérieur du cadre côté conducteur.
6. Placer la traverse de montage arrière dans la caisse de la camionnette et, à l'aide d'un ruban à mesurer, centrer la traverse entre les joints de soudure sur la longueur du plancher de caisse et mesurer la distance adéquate à partir du bord arrière de caisse, comme illustré à la Figure 2.  
**Nota :** Il est très important que la traverse soit centrée latéralement (par rapport aux côtés) sur la plateforme de la camionnette.
7. Marquer l'emplacement des trous à l'aide d'un pointeau, comme illustré à la Figure 2 (rangées 1 et 2). Enlever la traverse et percer chaque emplacement à l'aide d'une mèche 1/8".

**Remarque:** Il y aura être forage à travers la haut et le bas du lit seuil perpendiculaire avec le lit de camion.

8. Placer temporairement le support de cadre sur l'extérieur du cadre et vérifier que les trous percés de 1/8 po s'alignent sur les fentes du support de cadre. Retirer les supports de cadre du véhicule.
9. Agrandir les 1/8 des trous percés dans la rangée 1 à 9/16". Agrandir les 1/8" trous percés dans la rangée 2 à 1-1 / 8" (ondulations de lit seulement). Le fond de la longrine lit nécessite un trou de 9/16". Peindre tout métal nu.
10. Sans trop serrer, poser les supports de cadre (avant (1)(2) et arrière (3)(4)) à l'aide de boulons (6) et de rondelles coniques (7). (Voir Figure 1)
11. Installer le tube entretoise (Point 9)
12. Placer la traverse de montage arrière en position. Installez les 1/2"-13 x 2" boulons de transport qui sont fournis avec les rails et le 1/2 "-13 x 4-1 / 2" de ce kit avec le bloc entretoise. Des entretoises de bloc à être situées dans l'ondulation entre la caisse et le rail de montage ou entre la caisse et cadre parenthèses.
13. La 1/2"-13 x 2" boulons à tête hexagonale (10) peut être utilisé à la place des boulons de carrosserie sur la plupart fixation de rail de l'arrière si elle est difficile à installer les boulons de carrosserie. **(Noter que le bloc espaceur sert à éviter l'écrasement des ondulations du plancher).** Joindre le bloc 1/4 x 1 x 3 po (5), 1/2 po les rondelles coniques et 1/2 po l'écrou sur le dessous des supports selon les illustrations et serrer suffisamment pour empêcher la traverse de bouger. (Pour Rangée 1)
14. Le côté avant des trous du rail arrière (ligne 2) permet de attacher par le support de lit comme le montre la figure 1, l'entretoise de tube, 4,5" boulon de carrosserie, 1/2" rondelles coniques et 1/2" écrou de attacher de la face inférieure du support de lit.
15. Placer l'attelage non assemblé (5th sellette, curseur ou col de cygne) dans la traverse de montage déjà monté arrière. Positionner la traverse avant et l'attelage (5th sellette, curseur ou col de cygne) en insérant les languettes dans la traverse, puis en poussant cette dernière à fond vers l'autre traverse. S'assurer que la traverse est centrée entre les joints de soudé du plancher de la camionnette. La traverse sera ainsi à la position appropriée et la sellette sera bien ajustée à la camionnette. NOTE : Si plus d'un attelage doit être posé sur les traverses, alors les deux doivent être utilisés en même temps pour aligner la seconde traverse. De cette façon, un attelage ne gênera pas l'ajustement de l'autre.
16. Mark, pointeau, et percer 1/8 "trous par la figure 2 pour la ligne 3 et 4. Répétez les étapes 8 et ouvrir ces 1/8 " trous à 9/16 ". Peindre tout métal nu.
17. Placer la avant traverse de montage en position. Installer les boulons de carrosserie 1/2-13 x 2 po avec le bloc espaceur à placer dans les ondulations entre la caisse et la traverse de montage, ou entre la caisse et les supports avant (1) (2). **(Noter que le bloc espaceur sert à éviter l'écrasement des ondulations du plancher.)** L'extrémité arrière des supports avant (Rangée 3) sera fixée à l'aide du bloc .25 x 1 x 3 po (5), 1/2 po des rondelles coniques et de l'écrou 1/2 po comme décrit à l'étape 8 et illustré à la Figure 1. Fixer le côté avant des supports avant (Rangée 4) à l'aide des espaceurs, des rondelles et des écrous selon les illustrations et serrer suffisamment pour empêcher la traverse de bouger.
18. Après avoir entièrement posé les supports de montage sur mesure 50054, serrer la visserie selon la séquence suivante. **Nota : Serrez toute la visserie 1/2 po au couple de 75 lb-pi (102 N.m) et toute la visserie M12 au couple de 92 lb-pi (125 N.m). Serrer d'abord les traverses contre les supports de cadre, puis serrer les supports de cadre contre le cadre de la camionnette.**
19. Réinstaller la tubulure de fils électriques et les conduites de freins. Replacer la doublure de passage de roue en plastique sur la carrosserie et, s'il a été enlevé, le pneu de secours.

**Instructions d'installation**  
**NÉCESSAIRE DE MONTAGE**  
**RAPIDE SUR MESURE**  
**Ram 2500**

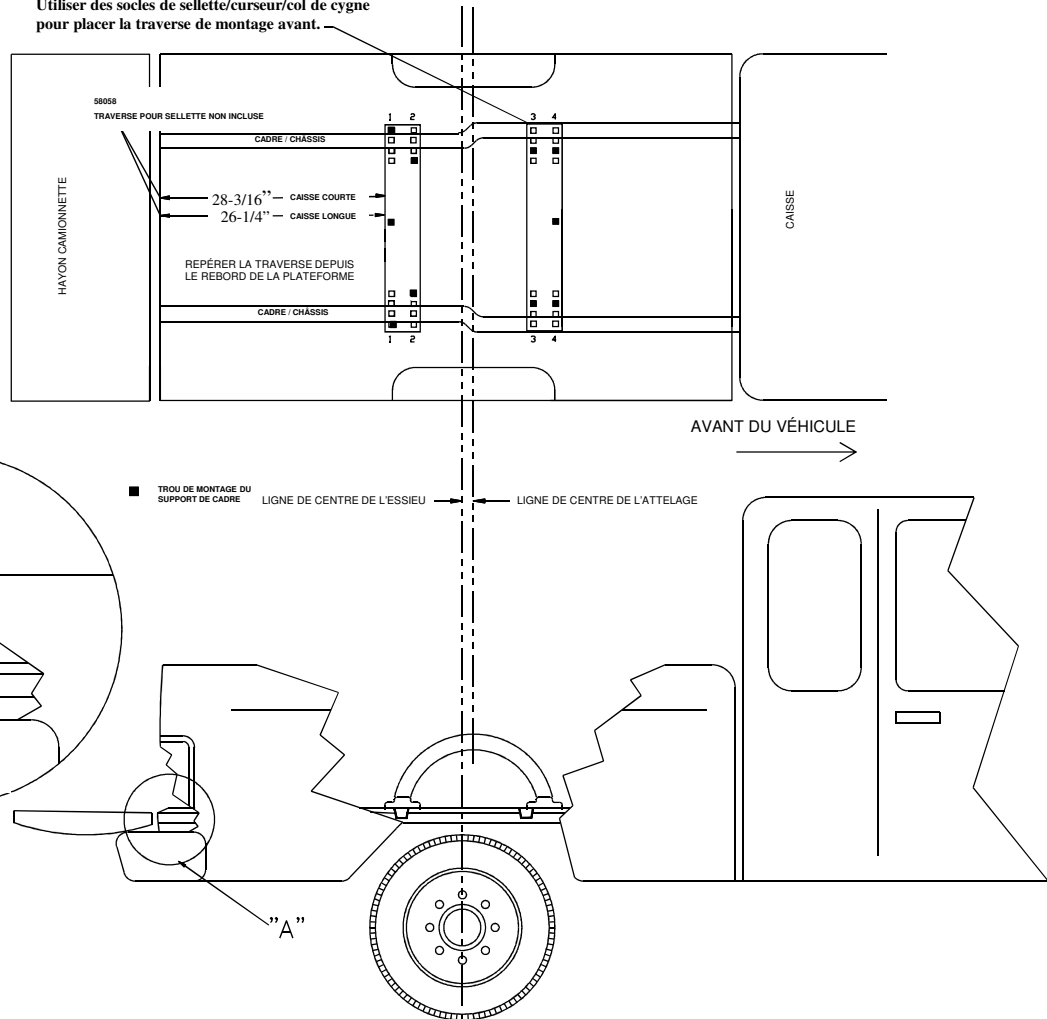
Numéro de pièce :  
**50054**

**Mettre la traverse en place**

**TRAVERSES DE MONTAGE 58058 OU 30035 SEULEMENT**

**Figure 2**

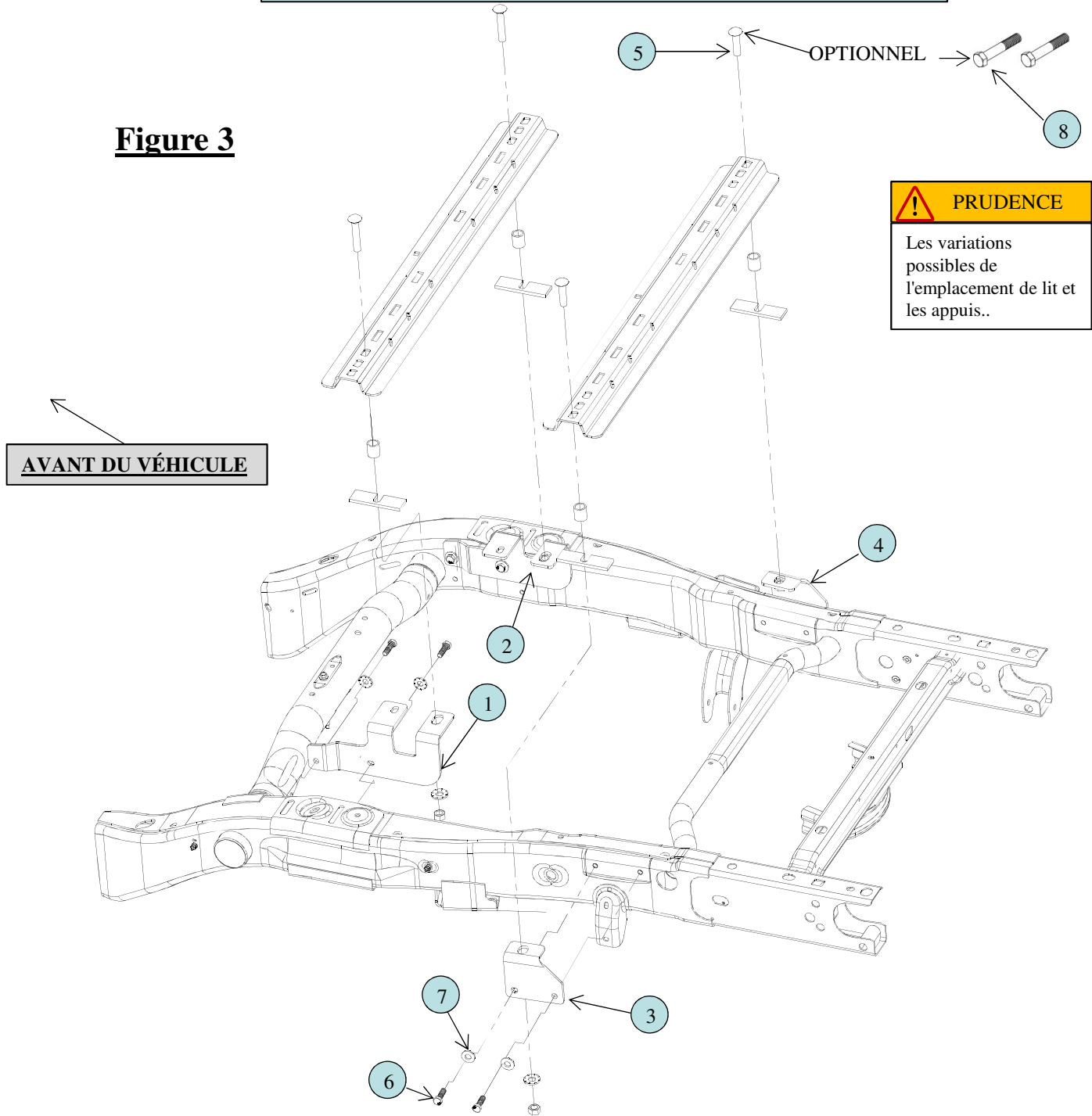
Utiliser des socles de sellette/curseur/col de cygne pour placer la traverse de montage avant.



**POUR TRAVERSES DE MONTAGE**  
**58058 OU 30035 SEULEMENT**

## INSTALLATION ILLUSTRÉE POUR LES TRAVERSES DE MONTAGE 30124 OU 30095

**Figure 3**



ART.	DESCRIPTION	QUANTITÉ	ART.	DESCRIPTION	QUANTITÉ
1	SUPPORT, AVANT CONDUCTEUR	1	7	RONDELLE CONIQUE, 1/2"	8
2	SUPPORT, AVANT PASSAGER	1	8	BOULON, 5/8 " - 11 X 3.5"	2
3	SUPPORT, ARRIÈRE CONDUCTEUR	1	<p><b>Toutes les fixations listées sont fournies avec cet ensemble, toutes les autres fixations mentionnées sont fournies avec l'ensemble de traverses de montage 30124.</b></p>		
4	SUPPORT, ARRIÈRE PASSAGER	1			
5	BOULON CARROSSERIE, 5/8" - 11 X 2.5"	2			
6	BOULON, M12 - 40MM - 1.5" CL 10.9	8			

**Instructions d'installation  
NÉCESSAIRE DE MONTAGE  
RAPIDE SUR MESURE  
**Dodge Ram 2500****

1. N'installez pas les traverses sur la doublure de caisse en plastique. La doublure de caisse en plastique doit être découpée pour permettre le contact métal à métal. Les traverses peuvent être installées sur une doublure pulvérisée en place.
2. Utilisez seulement les boulons, écrous et rondelles fournis pour installer ce produit. Tous les boulons et les écrous sont de grade 5 sauf indication contraire.
3. Ces instructions sont données à titre indicatif, l'installation demeure la responsabilité de l'installateur et du propriétaire. Mesurez toujours la camionnette et la remorque avant d'installer l'attelage pour vous assurer que le dégagement à la cabine et au pare-chocs est suffisant pour permettre les virages.
4. Abaisser et enlever le pneu de secours si de l'espace supplémentaire est requis. Enlever la doublure des passages de roue intérieurs en plastique pour permettre l'accès au cadre.
5. Détacher le tube flexible du filage électrique et les conduites de frein depuis l'intérieur du cadre côté conducteur.
6. Placer la traverse de montage arrière dans la caisse de la camionnette et, à l'aide d'un ruban à mesurer, centrer la traverse entre les joints de soudure sur la longueur du plancher de caisse et mesurer la distance adéquate à partir du bord arrière de caisse, comme illustré à la Figure 2.  
**Nota :** Il est très important que la traverse soit centrée latéralement (par rapport aux côtés) sur la plateforme de la camionnette.
7. Marquer l'emplacement des trous à l'aide d'un pointeau, comme illustré à la Figure 4. Enlever la traverse et percer chaque emplacement à l'aide d'une mèche 1/8".
8. Placer temporairement le support de cadre sur l'extérieur du cadre et vérifier que les trous percés de 1/8 po s'alignent sur les fentes du support de cadre. Retirer les supports de cadre du véhicule.
9. Agrandir les trous percés de 1/8 po à 1 1/8 po. **Peindre tout métal nu.**
10. Sans trop serrer, poser les supports de cadre (avant (1)(2) et arrière (3)(4)) à l'aide de boulons (6) et de rondelles coniques (7). (Voir Figure 3)
11. Placer la traverse de montage arrière en position. Poser les boulons de carrosserie 5/8-11 x 2.5 po (5) qui sont fournis avec l'espaceur tubulaire .657" x 1.271 po de même que le bloc espaceur à placer dans les ondulations entre la caisse et la traverse de montage, ou entre la caisse et les supports arrière (3) (4), à travers la traverse et les supports arrière (3) (4). Les 5/8 "-11 x 3.5" boulons à tête hexagonale (8) peut être utilisé à la place des boulons de carrosserie sur la plupart fixation de rail de l'arrière si elle est difficile à installer les boulons de carrosserie. **(Noter que le bloc espaceur sert à éviter l'écrasement des ondulations du plancher.)** Fixer les rondelles coniques 5/8 po et l'écrou 5/8 po sur le dessous des supports d'après les illustrations et serrer suffisamment pour empêcher la traverse de bouger.
12. Placer l'attelage non assemblé (arches de support de sellette, curseur ou col de cygne) dans la traverse de montage déjà posée. Placer la traverse de montage avant avec l'attelage (arches de support, curseur ou col de cygne) en insérant les languettes dans la traverse, puis en poussant cette dernière à fond vers l'autre traverse. S'assurer que la traverse est centrée sur la plateforme du véhicule. La traverse sera ainsi à la position appropriée et la sellette sera bien ajustée à la camionnette. **Nota :** Si plus d'un attelage doit être posé sur les traverses, alors les deux doivent être utilisés en même temps pour aligner la traverse arrière. De cette façon, un attelage ne gênera pas l'ajustement de l'autre.
13. Répétez les étapes 8 à 10 **pour le rail avant.**
14. Placer la **avant** traverse de montage en position. Poser les boulons de carrosserie 5/8-11 x 3 po (fournis avec les traverses), l'espaceur tubulaire .657" x 1.271 po et le bloc espaceur à placer dans les ondulations entre la caisse et la traverse de montage, ou entre la caisse et les supports arrière (1) (2), à travers la traverse et les supports arrière (1) (2). **(Noter que le bloc espaceur sert à éviter l'écrasement des ondulations du plancher.)** Fixer les rondelles coniques 5/8 po et l'écrou 5/8 po sur le dessous des supports d'après les illustrations et serrer suffisamment pour empêcher la traverse de bouger.
15. Après avoir entièrement posé les supports de montage sur mesure 50054, serrer la visserie selon la séquence suivante. **Nota :** **Serrez toute la visserie 5/8 po au couple de 150 lb-pi (102 N.m) et toute la visserie M12 au couple de 92 lb-pi (125 N.m). Serrer d'abord les traverses contre les supports de cadre, puis serrer les supports de cadre contre le cadre de la camionnette.**
16. Réinstaller la tubulure de fils électriques et les conduites de freins. Replacer la doublure de passage de roue en plastique sur la carrosserie et, s'il a été enlevé, le pneu de secours.

# Instructions d'installation

Numéro de pièce :

## NÉCESSAIRE DE MONTAGE

**50054**

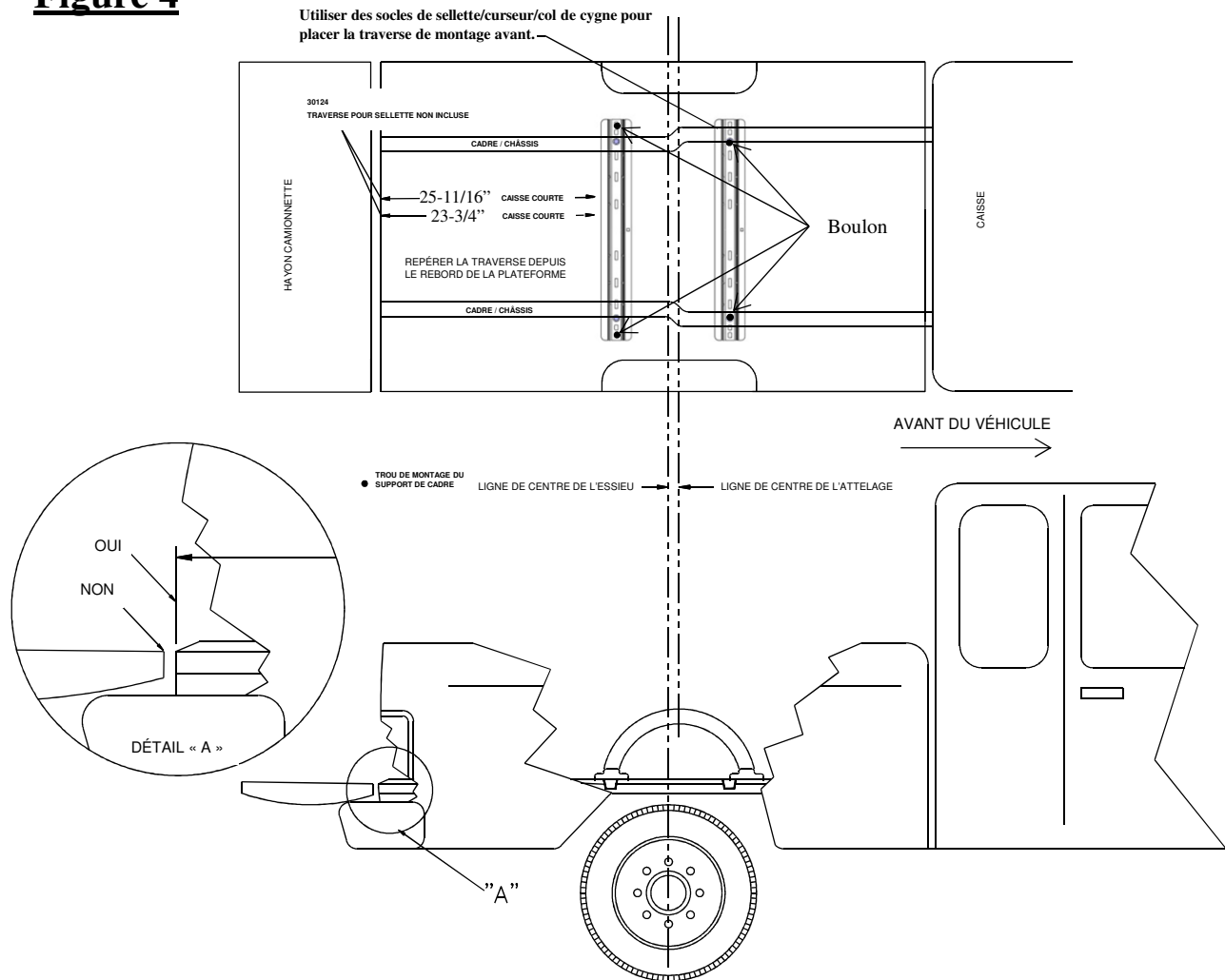
## RAPIDE SUR MESURE

**Ram 2500**

**Mettre la traverse en place**

**TRAVERSES DE MONTAGE 30095 OU 30124 SEULEMENT**

**Figure 4**



**POUR TRAVERSES DE MONTAGE  
30124 OU 30095 SEULEMENT**