

# Installation Instructions

## CUSTOM QUICK INSTALL MOUNTING KIT

Chevrolet/GMC 1500/2500/3500

Part Number

50064

FOR USE WITH  
RAIL KIT 58058

**Equipment Required:**

**Fastener Kit:** 116624

**Wrenches:** 3/4, 7/8, 15/16 & 1-1/8

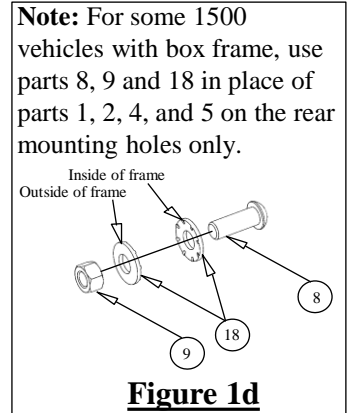
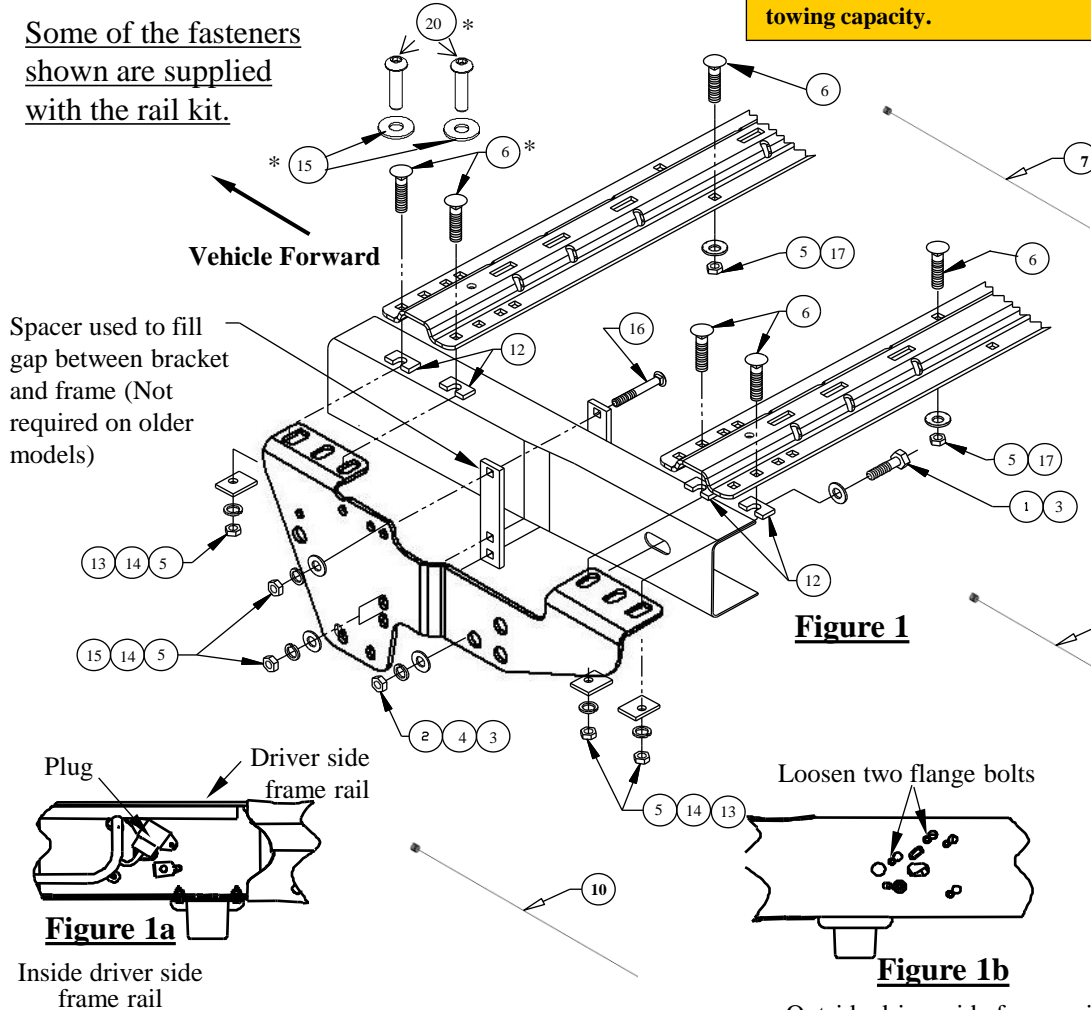
**Drill Bits:** 1/8", 1/2", 11/16" & 3/4" Drill

**Other Tools:** Center Punch, Measuring Tape

2007 ("New Body Style") & Up – 1500  
5'8", 6'6", & 8' Bed Pickup Installation

**WARNING:** Under no circumstances do we recommend exceeding the towing vehicle manufacturers recommended vehicle towing capacity.

Some of the fasteners shown are supplied with the rail kit.



**Figure 1**

**Figure 1b**

**Figure 1c**

\*: For Ease of Installation use Button Head bolt (20) with Flat Washer (15), As shown above.

Item #	Quantity	Description	Item #	Quantity	Description
1	Qty. (4)	3/4" X 2.00" Hex Bolt	11	Qty. (2)	1/2" Bolt Leader (not shown)
2	Qty. (4)	3/4" Hex Nut	12	Qty. (8)	U-Shape Block
3	Qty. (6)	3/4" Flat Washer (Large)	13	Qty. (8)	1/4" X 1.50" X 2.00" Block (Offset Hole)
4	Qty. (4)	3/4" Lock Washer	14	Qty. (12)	1/2" Lock Washer
5	Qty. (14)	1/2" Hex Nut	15	Qty. (6)	1/2" Flat Washer
6	Qty. (10)	1/2"-13 X 2.00" Carriage Bolt	16	Qty. (4)	1/2"-13 X 4.50" or 5.50" Carriage Bolt (as needed)
7	Qty. (2)	3/4" Pull Wire	17	Qty. (2)	1/2" Conical Toothed Washer
8	Qty. (2)	5/8"-11 X 1.75" Button Head Bolt Gr. 8	18	Qty. (4)	5/8" Conical Washer
9	Qty. (2)	5/8" Hex Nut	19	Qty. (2)	5/8" Pull Wire
10	Qty. (2)	1/2" Pull Wire	20	Qty. (2)	1/2" - 13 x 2.00" Button Head Bolt Gr. 8

# Installation Instructions

Part Numbers:

## CUSTOM QUICK INSTALL

**50064**

### MOUNTING KIT

#### **Chevrolet/GMC 1500/2500/3500**

1. Do not install mounting rails over plastic bed liners. Plastic bed liners must be cut out of the way to provide metal to metal contact. Mounting rails may be installed on spray in liners.
2. Use only bolts, nuts, and washers supplied to install this kit. All bolts are grade 5 and nuts are grade 5 unless otherwise specified.
3. These instructions are guidelines only, actual installation is the responsibility of the installer and the owner. Always measure truck and trailer before installing hitch to be sure that there is clearance at the cab and at the bumper to allow for turns.
4. **DO NOT INSTALL THIS PRODUCT ON OR ATTEMPT TO TOW WITH A TRUCK WITH A BED THAT IS LESS THAN 6' LONG UNLESS A SIDEWINDER PINBOX COUPLER HAS BEEN INSTALLED ON THE TRAILER.**

#### **2007 ("New Body Style") & Up – 1500 5'8", 6'6", & 8' Bed Pickup Installation**

1. Lower and remove spare tire. Remove exhaust heat shield from the underneath the passenger side of the vehicle.
2. **On 2007 "New Body Style" Pickups with OE Trailer Brake Controller:** Relocate the electrical plug that is located on the inside of the driver's side frame rail over the rear wheel (Figure 1a). The plug may be removed from the frame by loosening the two bolts on the outside of the frame and pushing the bolt heads through the key hole slots, as shown in Figure 1b. Attach the plug to the angle bracket supplied with the mounting kit. The bracket will be attached to the inside of the frame with a 3/4" bolt at a later installation step.
3. Place one mounting rail in the bed of the vehicle. Center the rail on the floor of the truck bed and use your tape measure to locate the proper distance from the rail to the rear edge of the truck box as illustrated on page 9.
4. Use a center punch to mark the holes in the rail per the illustration. Move the rail out of the way and drill each position with a 1/8" drill bit. **Note: On the driver's side of the vehicle the gas tank is located below the bed of the vehicle. When drilling holes through the bed be sure not to damage the fuel tank.**
5. Temporarily position the frame brackets on the sides of the frame and check that the 1/8" drilled holes align with the slots in the frame brackets. Remove the frame brackets from the vehicle.
6. Enlarge the 1/8" drilled holes to 9/16" if installing the 58058 rail kit. Enlarge to 11/16" if using the 30124 rail kit.
7. Fasten the frame brackets to the vehicle frame rails as shown in Figure 1 (additional spacers are included to fill excessive gap between frame brackets and the vehicle frame rails, use as required on certain models). On 2007 "New Body Style" Pickups with OE Brake Controller, refer to installation step 2 to relocate the plug with the angle bracket. Use the 3/4" X 2.0 bolt to attach the angle bracket to the inside of the frame (see Figure 1c). Use the 3/4" pull wire to pull the bolt and washer into the frame. Push the wire through the hole in the side of the frame and over the tube welded through the frame. Bring it out the open end of the frame. Screw bolt on to wire and place the washer over the wire but not under the bolt head. The washer will need to lay flat going in over the tube in the frame. For ease of installation, some 1500 models with a box frame may need alternate parts on the rear mounting holes only. Refer to (Figure 1d) on page 1.
8. Reposition the mounting rail over the holes in the bed and fasten the mounting rail to the frame brackets using the supplied carriage bolts. Use the supplied U-shaped blocks between the frame bracket or mounting rails and the truck bed to ensure metal to metal contact.
9. Place the unassembled 5<sup>th</sup> wheel support arches/slider/goose into the already installed mounting rail. Position the rearward mounting rail with the support arches/slider/goose by inserting the tabs into the mounting rail and pushing the mounting rail tight towards the other mounting rail. Ensure that the mounting rail is centered on the bed of the vehicle. This will position the rail in the correct location and ensure that the 5<sup>th</sup> wheel will have a snug fit to the truck. **Note: If more than one hitch product will be used with the mounting rails then both types should be used at the same time to align the rearward mounting rail. This will ensure that one product does not compromise the fit of the other.**
10. Repeat installation steps 4, 6 and 8.
11. Starting with the carriage bolts that fasten the rails the frame bracket, torque all the nuts. Torque the 1/2" fasteners to 75 (ft.-lb.) 102 (N\*M). Torque 5/8 Gr. 5 bolts to 150 ft.-lbs. Torque the 3/4" fasteners to 260 (ft.-lb.) 353 (N\*M)
12. Re-install spare tire.

# FOR USE WITH RAIL KIT 58058

# Installation Instructions CUSTOM QUICK INSTALL MOUNTING KIT

Part Numbers:  
**50064**

## Chevrolet/GMC 1500/2500/3500 2001-2006 – 2500/3500 Short Bed & Long Bed Pickup Installation

### Equipment Required:

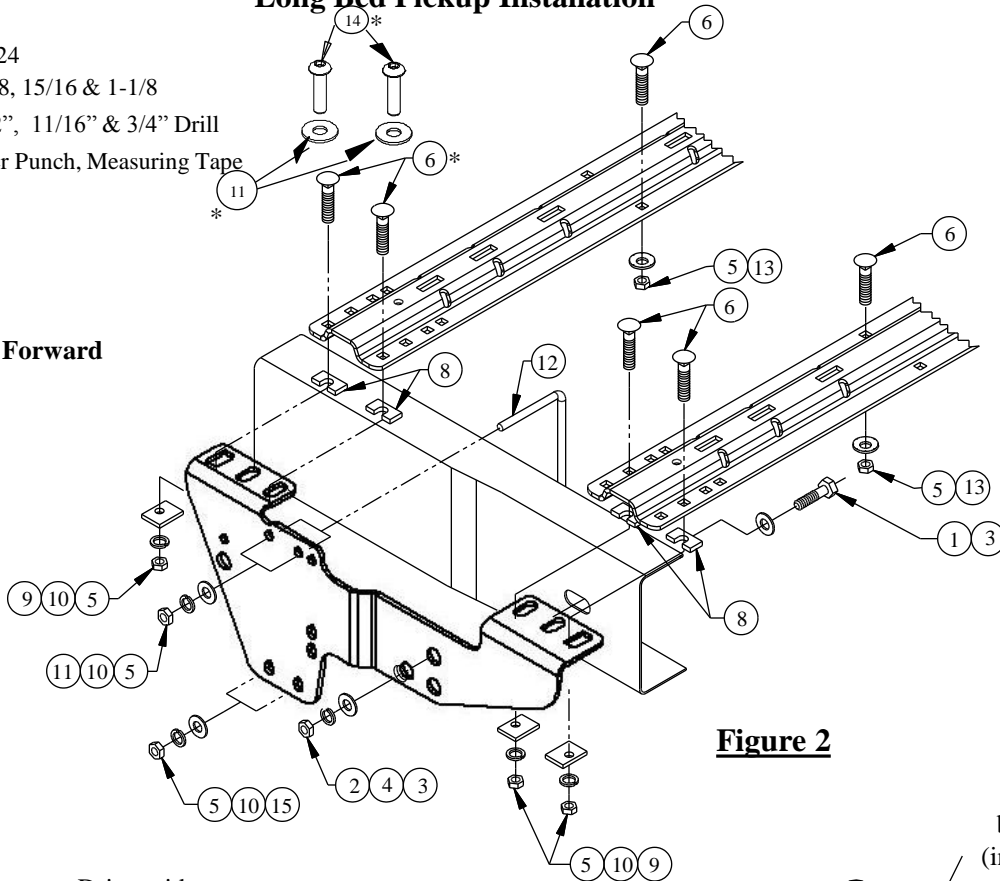
**Fastener Kit:** 116624

**Wrenches:** 3/4, 7/8, 15/16 & 1-1/8

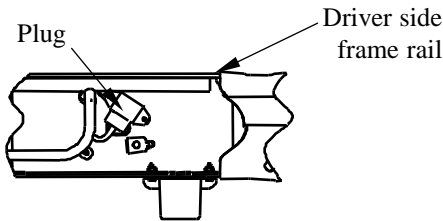
**Drill Bits:** 1/8", 1/2", 11/16" & 3/4" Drill

**Other Tools:** Center Punch, Measuring Tape

Vehicle Forward

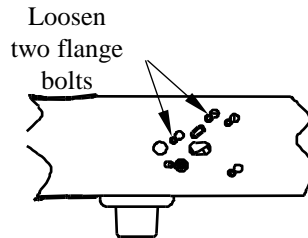


**Figure 2**



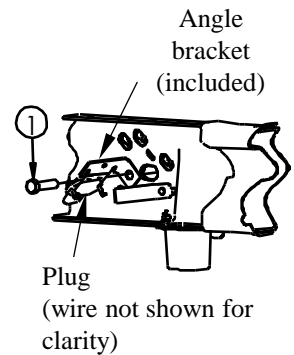
**Figure 2a**

Inside driver side frame rail



**Figure 2b**

Outside driver side frame rail



**Figure 2c**

\*: For Ease of Installation use Button Head bolt (14) with Flat Washer (11), as shown above.

Item #	Quantity	Description	Item #	Quantity	Description
1	Qty. (4)	3/4" X 1-1/2" Hex Bolt	8	Qty. (8)	U-Shape Block
2	Qty. (4)	3/4" Hex Nut	9	Qty. (8)	1/4" X 1.50" X 2.00" Block (Offset Hole)
3	Qty. (6)	3/4" Flat Washer (Large)	10	Qty. (12)	1/2" Lock Washer
4	Qty. (4)	3/4" Lock Washer	11	Qty. (6)	1/2" Flat Washer
5	Qty. (14)	1/2" Hex Nut	12	Qty. (2)	1/2" U-Bolt
6	Qty. (10)	1/2" X 2.00" Carriage Bolt	13	Qty. (2)	1/2" Conical Toothed Washer
7	Qty. (2)	1/2" Bolt Leader (Not Shown)	14	Qty. (2)	1/2" - 13 x 2.00" Button Head Bolt Gr. 8

# Installation Instructions

Part Numbers:

## CUSTOM QUICK INSTALL

**50064**

## MOUNTING KIT

### **Chevrolet/GMC 1500/2500/3500**

1. Do not install mounting rails over plastic bed liners. Plastic bed liners must be cut out of the way to provide metal to metal contact. Mounting rails may be installed on spray in liners.
2. Use only bolts, nuts, and washers supplied to install this kit. All bolts are grade 5 and nuts are grade 5 unless otherwise specified.
3. These instructions are guidelines only, actual installation is the responsibility of the installer and the owner. Always measure truck and trailer before installing hitch to be sure that there is clearance at the cab and at the bumper to allow for turns.
4. **DO NOT INSTALL THIS PRODUCT ON OR ATTEMPT TO TOW WITH A TRUCK WITH A BED THAT IS LESS THAN 6' LONG UNLESS A SIDEWINDER PINBOX COUPLER HAS BEEN INSTALLED ON THE TRAILER.**

#### **2001-2006 – 2500/3500 Short Bed & Long Bed Pickup Installation**

1. Lower and remove spare tire. Remove exhaust heat shield from the underneath the passenger side of the vehicle.
2. **On 2007 “New Body Style” Pickups with OE Trailer Brake Controller:** Relocate the electrical plug that is located on the inside of the driver’s side frame rail over the rear wheel (Figure 2a). The plug may be removed from the frame by loosening the two bolts on the outside of the frame and pushing the bolt heads through the key hole slots, as shown in Figure 2b. Attach the plug to the angle bracket supplied with the mounting kit. The bracket will be attached to the inside of the frame with a 3/4” bolt at a later installation step.
3. Place one mounting rail in the bed of the vehicle. Center the rail on the floor of the truck bed and use your tape measure to locate the proper distance from the rail to the rear edge of the truck box as illustrated on page 9.
4. Use a center punch to mark the holes in the rail per the illustration. Move the rail out of the way and drill each position with a 1/8” drill bit. **Note: On the driver’s side of the vehicle the gas tank is located below the bed of the vehicle. When drilling holes through the bed be sure not to damage the fuel tank.**
5. Temporarily position the frame brackets on the sides of the frame and check that the 1/8” drilled holes align with the slots in the frame brackets. Remove the frame brackets from the vehicle.
6. Enlarge the 1/8” drilled holes to 9/16” if installing the 58058 rail kit. Enlarge to 11/16” if installing the 30124 rail kit.
7. Fasten the frame brackets to the vehicle frame rails as shown in Figure 2(forward hole can be drilled as an optional installation, to replace the U-bolt attachment if preferred, either installation is approved, see page 7 for drilling instructions). On 2007 “New Body Style” Pickups with OE Brake Controller, refer to installation step 2 to relocate the plug with the angle bracket. Use the 3/4” X 1.50 bolt to attach the angle bracket to the inside of the frame (see Figure 2c) ).
8. Reposition the mounting rail over the holes in the bed and fasten the mounting rail to the frame brackets using the supplied carriage bolts. Use the supplied U-shaped blocks between the frame bracket or mounting rails and the truck bed to ensure metal to metal contact.
9. Place the unassembled 5<sup>th</sup> wheel support arches/slider/goose into the already installed mounting rail. Position the rearward mounting rail with the support arches/slider/goose by inserting the tabs into the mounting rail and pushing the mounting rail tight towards the other mounting rail. Ensure that the mounting rail is centered on the bed of the vehicle. This will position the rail in the correct location and ensure that the 5<sup>th</sup> wheel will have a snug fit to the truck. **Note: If more than one hitch product will be used with the mounting rails then both types should be used at the same time to align the rearward mounting rail. This will ensure that one product does not compromise the fit of the other.**
10. Repeat installation steps 4, 6 and 8.
11. Starting with the carriage bolts that fasten the rails the frame bracket, torque all the nuts. Torque the 1/2” fasteners to 75 (ft.-lb.) 102 (N\*M). Torque 5/8 Gr. 5 bolts to 150 ft.-lbs. Torque the 3/4” fasteners to 260 (ft.-lb.) 353 (N\*M)
12. Re-install spare tire.

FOR USE WITH  
RAIL KIT 58058

# Installation Instructions

## CUSTOM QUICK INSTALL MOUNTING KIT

**Part Numbers:**  
**50064**

**Chevrolet/GMC 1500/2500/3500**

**Equipment Required:**

**Fastener Kit:** 116624

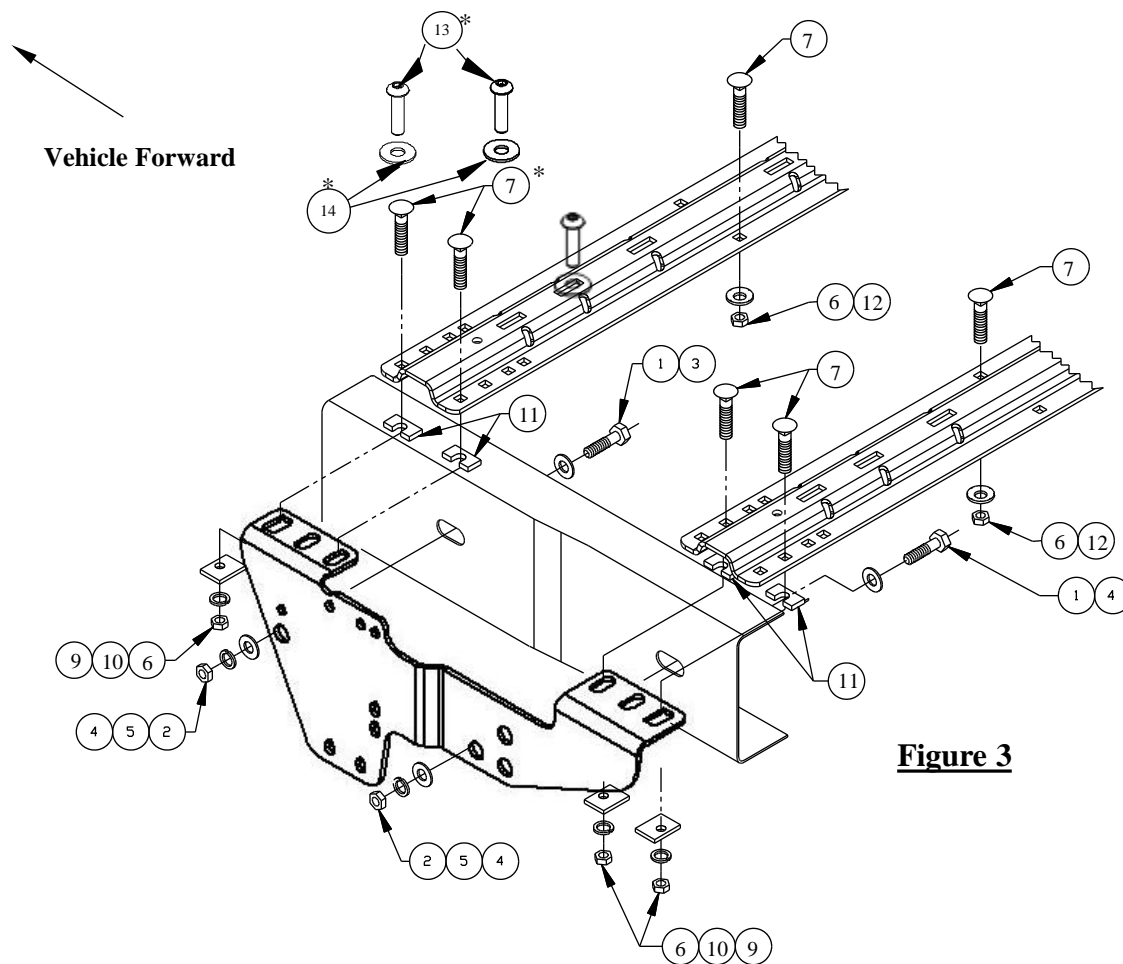
**Wrenches:** 3/4, 7/8, 15/16 & 1-1/8

**Drill Bits:** 1/8", 1/2", 11/16" & 3/4" Drill

**Other Tools:** Center Punch, Measuring Tape

**WARNING:** Under no circumstances do we recommend exceeding the towing vehicle manufacturers recommended vehicle towing capacity.

### 1999-2007 "Classic" – 1500/2500 Light Duty 5'8", 6'6", & 8' Bed Pickup Installation



**Figure 3**

\*: For Ease of Installation use Button Head bolt (13) with Flat Washer (14), as shown above.

Item #	Quantity	Description	Item #	Quantity	Description
1	Qty. (4)	3/4" X 1-1/2 Hex Bolt	8	Qty. (2)	1/2" Bolt Leader (not shown)
2	Qty. (4)	3/4" Hex Nut	9	Qty. (8)	1/4" X 1.50" X 2.00" Block (Offset Hole)
3	Qty. (2)	3/4" Flat Washer (Small)	10	Qty. (12)	1/2" Lock Washer
4	Qty. (6)	3/4" Flat Washer (Large)	11	Qty. (8)	U-Shape Block
5	Qty. (4)	3/4" Lock Washer	12	Qty. (2)	1/2" Conical Toothed Washer
6	Qty. (14)	1/2" Hex Nut	13	Qty. (2)	1/2" - 13 x 2.00" Button Head Bolt Gr. 7
7	Qty. (10)	1/2" X 2.00" Carriage Bolt	14	Qty. (2)	1/2" Flat Washer

# Installation Instructions

Part Numbers:

## CUSTOM QUICK INSTALL

**50064**

## MOUNTING KIT

### **Chevrolet/GMC 1500/2500/3500**

1. Do not install mounting rails over plastic bed liners. Plastic bed liners must be cut out of the way to provide metal to metal contact. Mounting rails may be installed on spray in liners.
2. Use only bolts, nuts, and washers supplied to install this kit. All bolts are grade 5 and nuts are grade 5 unless otherwise specified.
3. These instructions are guidelines only, actual installation is the responsibility of the installer and the owner. Always measure truck and trailer before installing hitch to be sure that there is clearance at the cab and at the bumper to allow for turns.
4. DO NOT INSTALL THIS PRODUCT ON OR ATTEMPT TO TOW WITH A TRUCK WITH A BED THAT IS LESS THAN 6' LONG UNLESS A SIDEWINDER PINBOX COUPLER HAS BEEN INSTALLED ON THE TRAILER.

#### **1999-2007 "Classic" – 1500/2500 Light Duty 5'8", 6'6", & 8' Bed Pickup Installation**

1. Lower and remove spare tire. Remove exhaust heat shield from the underneath the passenger side of the vehicle.
2. Place one mounting rail in the bed of the vehicle. Center the rail on the floor of the truck bed and use your tape measure to locate the proper distance from the rail to the rear edge of the truck box as illustrated on page 9.
3. Use a center punch to mark the holes in the rail per the illustration. Move the rail out of the way and drill each position with a 1/8" drill bit. **Note: On the driver's side of the vehicle the gas tank is located below the bed of the vehicle. When drilling holes through the bed be sure not to damage the fuel tank.**
4. Temporarily position the frame brackets on the sides of the frame and check that the 1/8" drilled holes align with the slots in the frame brackets. Remove the frame brackets from the vehicle.
5. Enlarge the 1/8" drilled holes to 9/16" if installing the 58058 rail kit. Enlarge the holes to 11/16" if installing the 30124 rail kit.
6. Fasten the frame brackets to the vehicle frame rails as shown in Figure 3.
7. Reposition the mounting rail over the holes in the bed and fasten the mounting rail to the frame brackets using the supplied carriage bolts. Use the supplied U-shaped blocks between the frame bracket or mounting rails and the truck bed to ensure metal to metal contact.
8. Place the unassembled 5<sup>th</sup> wheel support arches/slider/goose into the already installed mounting rail. Position the rearward mounting rail with the support/slider/goose by inserting the tabs into the mounting rail and pushing the mounting rail tight towards the other mounting rail. Ensure that the mounting rail is centered on the bed of the vehicle. This will position the rail in the correct location and ensure that the 5<sup>th</sup> wheel will have a snug fit to the truck. **Note: If more than one hitch product will be used with the mounting rails then both types should be used at the same time to align the rearward mounting rail. This will ensure that one product does not compromise the fit of the other.**
9. Repeat installation steps 3, 5 and 7.
10. Starting with the carriage bolts that fasten the rails the frame bracket, torque all the nuts.  
Torque the 1/2" fasteners to 75 (ft.-lb.) 102 (N\*m)  
Torque the 5/8" Gr. 5 bolts to 150 (ft.lbs.) 204 (N\*m)  
Torque the 3/4" fasteners to 260 (ft.-lb.) 353 (N\*m)
11. Re-install spare tire.

FOR USE WITH  
RAIL KIT 58058

# Installation Instructions

## CUSTOM QUICK INSTALL MOUNTING KIT

**Part Numbers:**  
**50064**

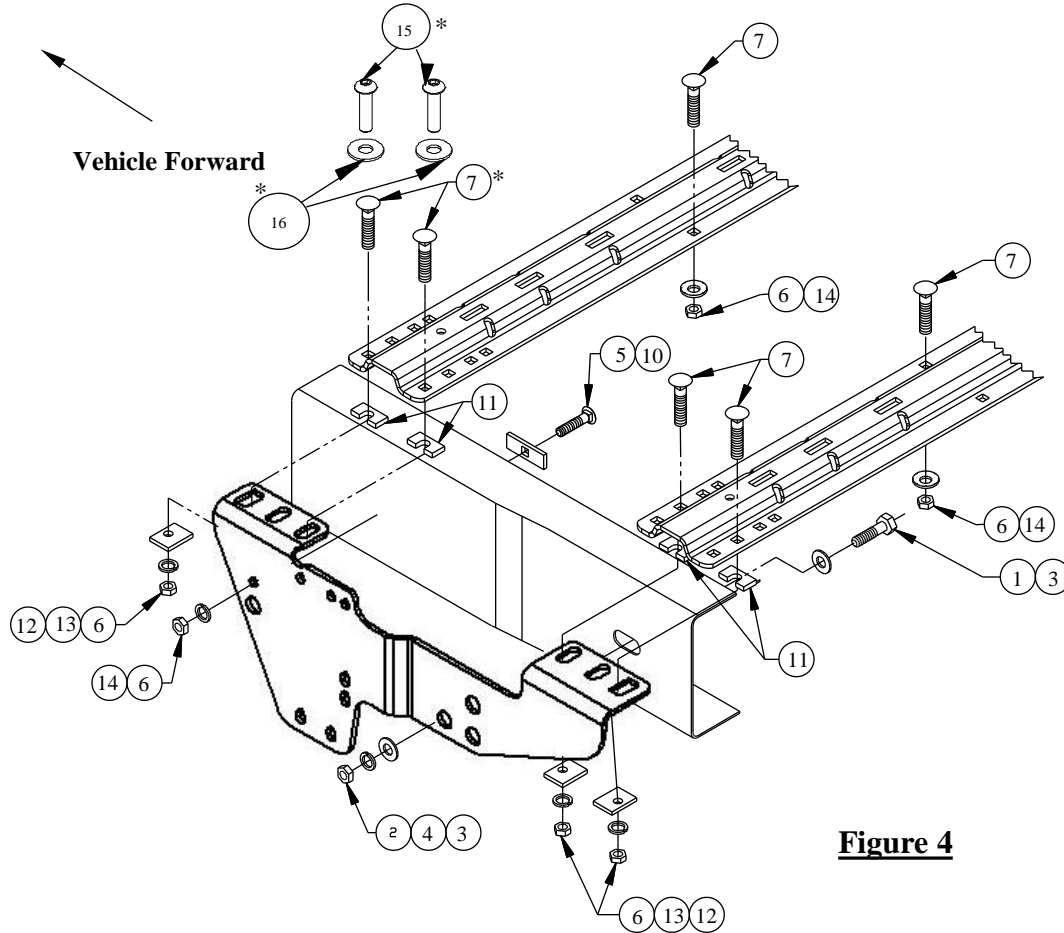
**Chevrolet/GMC 1500/2500/3500**

**WARNING:** Under no circumstances do we recommend exceeding the towing vehicle manufacturers recommended vehicle towing capacity.

**Equipment Required:**

- Fastener Kit:** 116624
- Wrenches:** 3/4, 7/8, 15/16 & 1-1/8
- Drill Bits:** 1/8", 1/2", 11/16" & 3/4" Drill
- Other Tools:** Center Punch, Measuring Tape

### Optional Drilled Application



**Figure 4**

\*: For Ease of Installation use Button Head bolt (15) with Flat Washer (16), as Shown Above.

Item #	Quantity	Description	Item #	Quantity	Description
1	Qty. (4)	3/4" X 1-1/2 Hex Bolt	9	Qty. (2)	1/2" Bolt Leader (not shown)
2	Qty. (4)	3/4" Hex Nut	10	Qty. (2)	1/4" X 1.00" X 2.00" Block (Square Hole)
3	Qty. (6)	3/4" Flat Washer (Large)	11	Qty. (8)	U-Shape Block
4	Qty. (4)	3/4" Lock Washer	12	Qty. (8)	1/4" X 1.50" X 2.00" Block (Offset Hole)
5	Qty. (2)	1/2" X 1.50" Carriage Bolt	13	Qty. (12)	1/2" Lock Washer
6	Qty. (14)	1/2" Hex Nut	14	Qty. (2)	1/2" Conical Toothed Washer
7	Qty. (10)	1/2" X 2.00" Carriage Bolt	15	Qty. (2)	1/2" - 13 x 2.00" Button Head Bolt Gr. 6
8	Qty. (2)	3/4" Bolt Leader (not shown)	16	Qty. (2)	1/2" Flat Washer

# Installation Instructions

Part Numbers:

## CUSTOM QUICK INSTALL

**50064**

### MOUNTING KIT

#### **Chevrolet/GMC 1500/2500/3500**

1. Do not install mounting rails over plastic bed liners. Plastic bed liners must be cut out of the way to provide metal to metal contact. Mounting rails may be installed on spray in liners.
2. Use only bolts, nuts, and washers supplied to install this kit. All bolts are grade 5 and nuts are grade 5 unless otherwise specified.
3. These instructions are guidelines only, actual installation is the responsibility of the installer and the owner. Always measure truck and trailer before installing hitch to be sure that there is clearance at the cab and at the bumper to allow for turns.
4. **DO NOT INSTALL THIS PRODUCT ON OR ATTEMPT TO TOW WITH A TRUCK WITH A BED THAT IS LESS THAN 6' LONG UNLESS A SIDEWINDER PINBOX COUPLER HAS BEEN INSTALLED ON THE TRAILER.**

#### **Optional Drilled Application**

1. Lower and remove spare tire. Remove exhaust heat shield from the underneath the passenger side of the vehicle.
2. Place one mounting rail in the bed of the vehicle. Center the rail on the floor of the truck bed and use your tape measure to locate the proper distance from the rail to the rear edge of the truck box as illustrated on page 9.
3. Use a center punch to mark the holes in the rail per the illustration. Move the rail out of the way and drill each position with a 1/8" drill bit. **Note: On the driver's side of the vehicle the gas tank is located below the bed of the vehicle. When drilling holes through the bed be sure not to damage the fuel tank.**
4. Temporarily position the frame brackets on the sides of the frame and check that the 1/8" drilled holes align with the slots in the frame brackets. Remove the frame brackets from the vehicle.
5. Enlarge the 1/8" drilled holes to 9/16" if installing the 58058 rail kit. Enlarge to 11/16" if installing the 30124 rail kit.
6. Position the frame brackets with the 9/16" holes drilled in step 5 and using the frame brackets as a template, drill 1/2" hole through the vehicle frame rail and fasten the frame brackets to the vehicle frame rails as shown in Figure 4.
7. Reposition the mounting rail over the holes in the bed and fasten the mounting rail to the frame brackets using the supplied carriage bolts. Use the supplied U-shaped blocks between the frame bracket or mounting rails and the truck bed to ensure metal to metal contact.
8. Place the unassembled 5<sup>th</sup> wheel support arches/slider/goose into the already installed mounting rail. Position the rearward mounting rail with the support arches/slider/goose by inserting the tabs into the mounting rail and pushing the mounting rail tight towards the other mounting rail. Ensure that the mounting rail is centered on the bed of the vehicle. This will position the rail in the correct location and ensure that the 5<sup>th</sup> wheel will have a snug fit to the truck. **Note: If more than one hitch product will be used with the mounting rails then both types should be used at the same time to align the rearward mounting rail. This will ensure that one product does not compromise the fit of the other.**
9. Repeat installation steps 3, 5 and 7.
10. Starting with the carriage bolts that fasten the rails the frame bracket, torque all the nuts.
11. Re-install spare tire.

# Installation Instructions

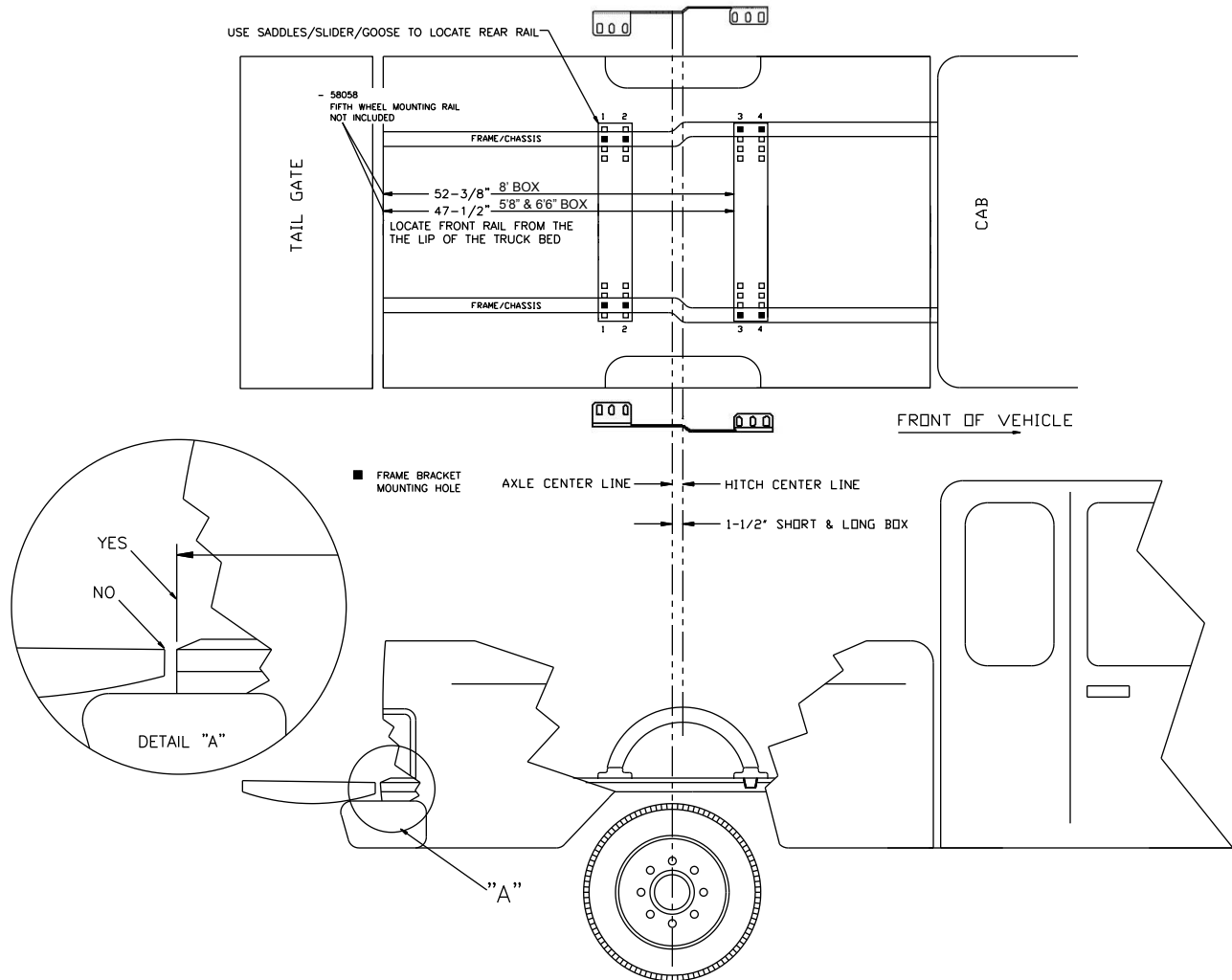
## CUSTOM QUICK INSTALL MOUNTING KIT

### Chevrolet/GMC 1500/2500/3500

Part Numbers:  
**50064**

### Position the Rail

**58058**



# Installation Instructions

## CUSTOM QUICK INSTALL

### MOUNTING KIT

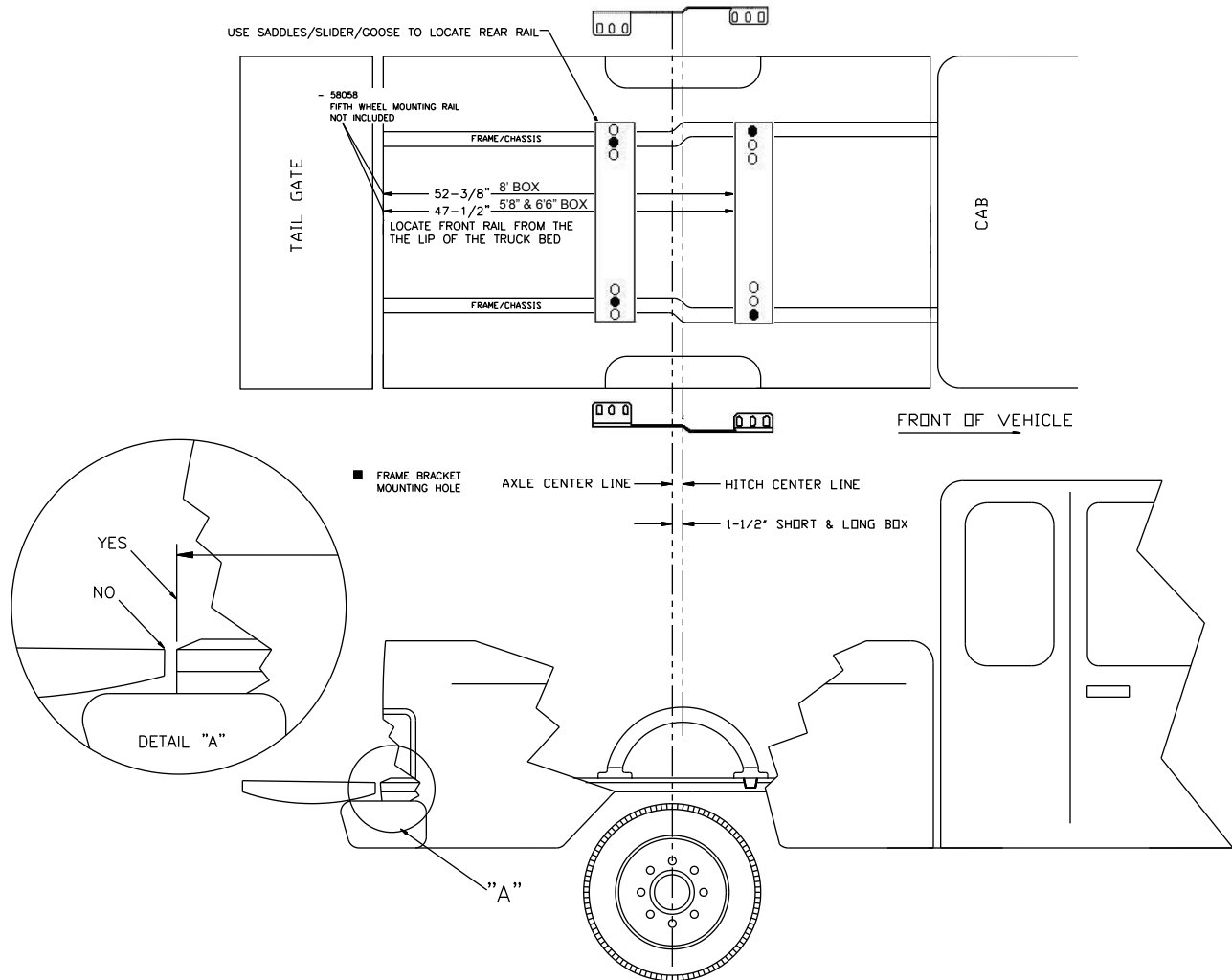
Chevrolet/GMC 1500/2500/3500

Part Numbers:

50064

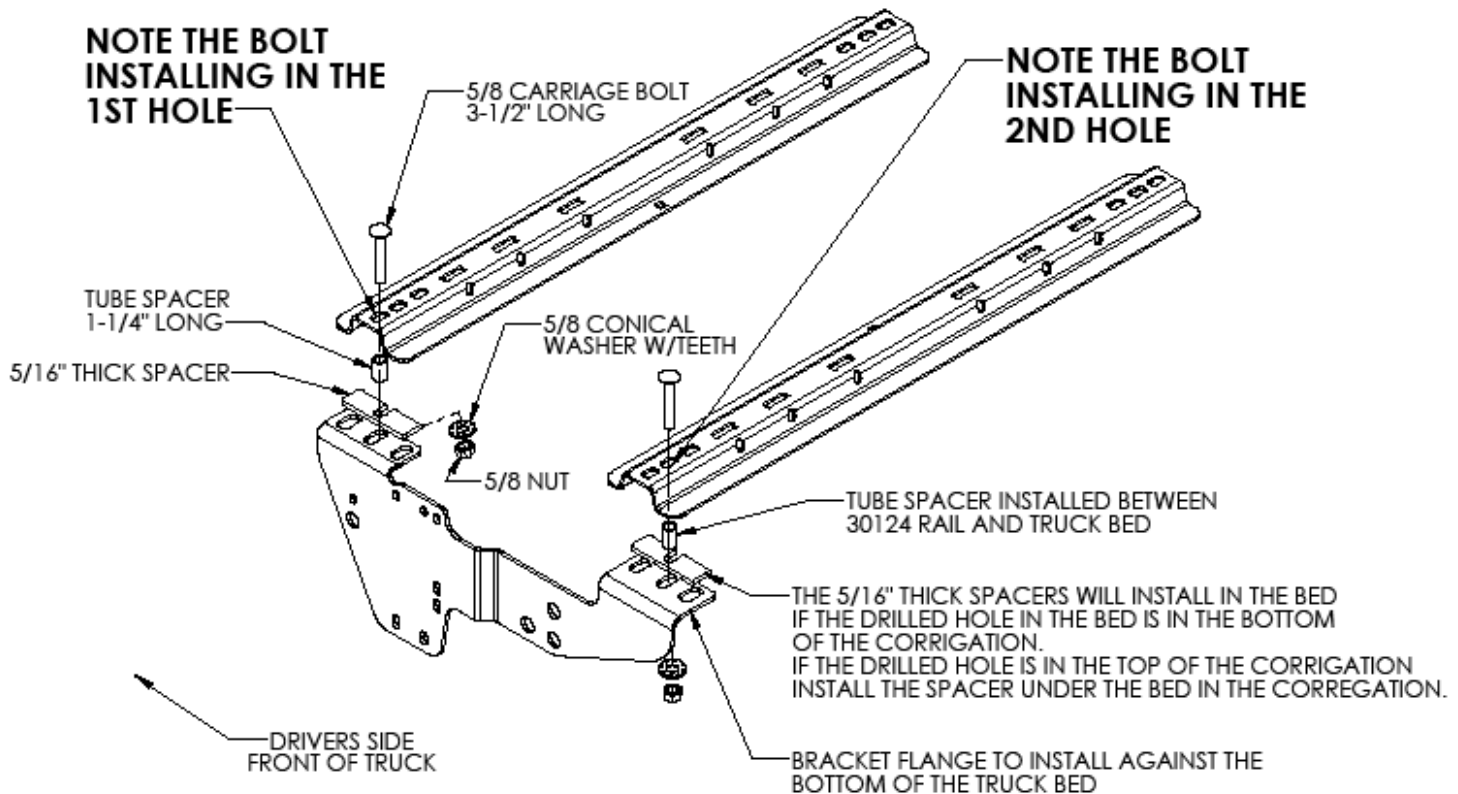
## Position the Rail

30124



# INSTRUCTIONS WHEN USING THE 30095 OR 30124 RAIL KIT WITH CHEVY / GMC 1500/2500/3500

HARDWARE AND INSTALLATION IS THE SAME FOR BOTH DRIVERS SIDE AND PASSENGERS SIDE.



- 1) See Previous pages on how to install brackets to the frame for your particular model vehicle.
- 2) See page 10 for rail placement
- 3) Torque the 1/2" fasteners to 75 (ft.-lb.) 102 (N\*M)  
Torque the 3/4" fasteners to 260 (ft.-lb.) 353 (N\*M)  
Torque 5/8 Gr. 5 bolts to 150 (ft.-lbs.) 204 (N\*m)

**\*FOR EASE OF INSTALLATION: 5/8" X 3-1/2" HEX BOLT CAN BE USED ALONG WITH A FLAT WASHER ABOVE THE RAIL IN PLACE OF THE 5/8" X 3-1/2" CARRIAGE BOLT (GRADE 5 OR HIGHER)**

# Instructions d'installation

**NECESSAIRE DE MONTAGE RAPIDE**

**SUR MESURE**

**Chevrolet/GMC 1500/2500/3500**

**2007 (New Body Style) et plus récent – 1500**

**Installation sur plateformes 5'8", 6'6" et 8"**

**Numéro de pièce**

**50064**

**POUR  
UTILISATION  
AVEC ENSEMBLE  
DE TRAVERSES**

**58058**

**Équipement requis :**

**Visserie :** 116624

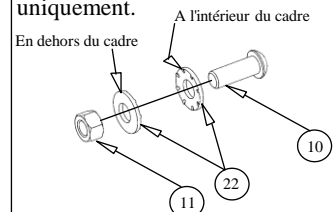
**Clés :** 3/4, 7/8, 15/16 & 1-1/8

**Mèches :** 1/8", 1/2", 11/16" et foret étagé 3/4"

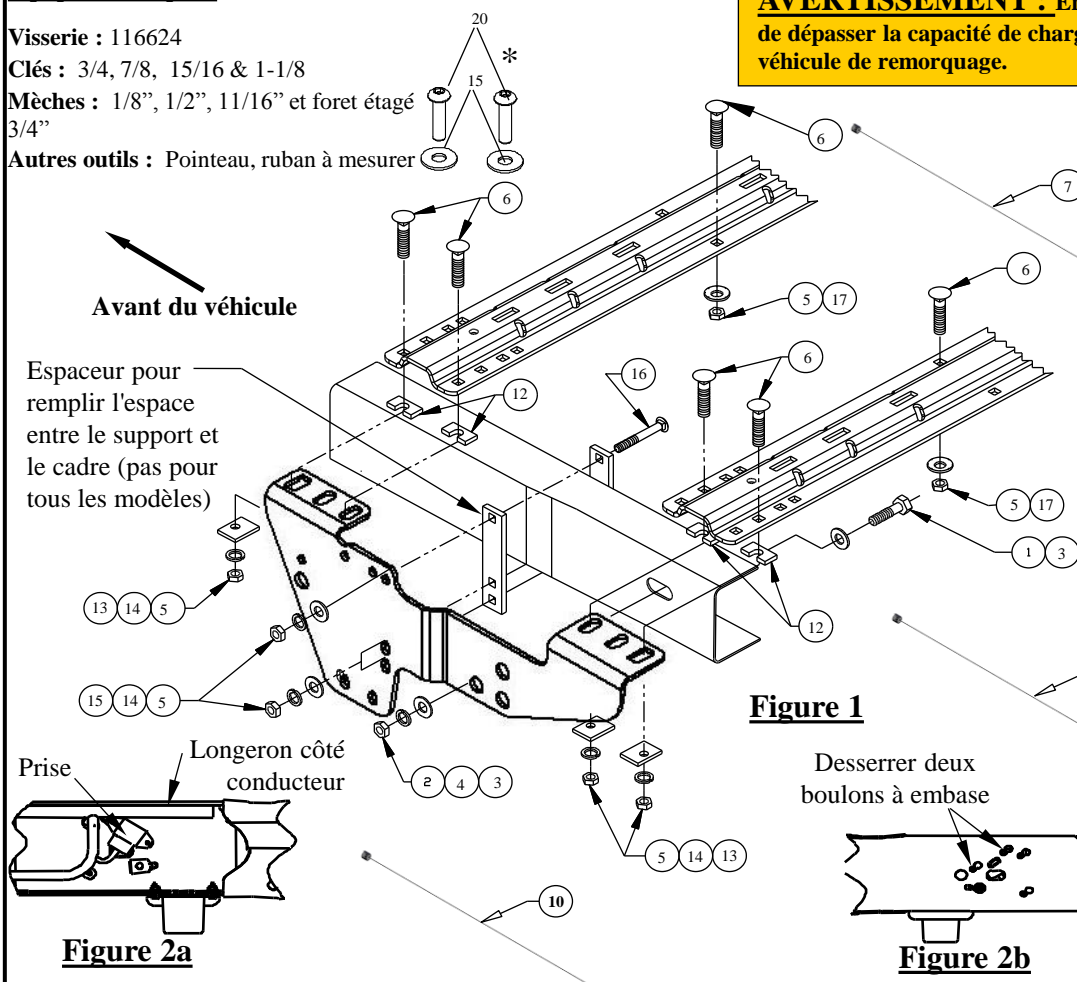
**Autres outils :** Pointeau, ruban à mesurer

**AVERTISSEMENT :** En aucun cas nous ne recommandons de dépasser la capacité de charge indiquée par le fabricant du véhicule de remorquage.

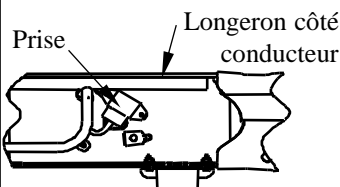
Note: Pour les quelque 1500 véhicules avec cadre de la boîte, utiliser des pièces 10, 11 et 22 à la place des pièces de 1, 2, 4 et 5 sur les trous de montage arrière uniquement.



**Figure 2d**

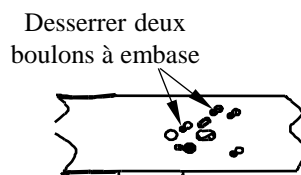


**Figure 1**



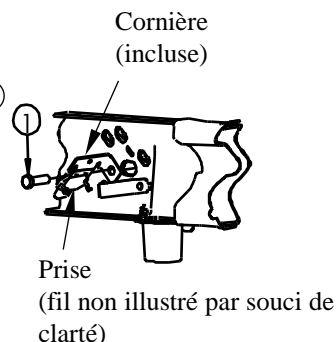
**Figure 2a**

Intérieur du longeron côté conducteur



**Figure 2b**

Extérieur du longeron côté conducteur



**Figure 2c**

\*: Pour faciliter l'installation, utiliser le boulon à tête ronde (20) avec la rondelle plate (15), comme illustré ci-dessus.

Item #	Quantity	Description	Item #	Quantity	Description
1	Qté (4)	Boulon hex. 3/4" X 2.00"	11	Qté (2)	Guide de boulon 1/2" (non illustré)
2	Qté (4)	Écrou hex. 3/4"	12	Qté (8)	Bloc en U
3	Qté (6)	Rondelle plate 3/4" (grande)	13	Qté (8)	Bloc 1/4" X 1.50" X 2.00" (trou décalé)
4	Qté (4)	Rondelle frein 3/4"	14	Qté (12)	Rondelle frein 1/2"
5	Qté (14)	Écrou hex. 1/2"	15	Qté (6)	Rondelle plate 1/2"
6	Qté (10)	Boulon de carrosserie 1/2"-13 X 2.00"	16	Qté (4)	Boulon de carrosserie 1/2"-13 X 4.50" ou 5.50" (au besoin)
7	Qté (2)	Guide de boulon 3/4"	17	Qté (2)	Rondelle dentée conique 1/2"
8	Qté (2)	Boulon à tête bouton 5/8" -11 x 1.75", Grade 8	18	Qté (4)	Rondelle conique 5/8"
9	Qté (2)	Écrou à tête hexagonale 5/8"	19	Qté (2)	Câble de commande 5/8"
10	Qté (2)	Câble de commande 1/2"	20	Qté (2)	Boulon à tête ronde 1/2" - 13 x 2.00" Gr. 8

# Instructions d'installation

Numéro de pièce :

## NÉCESSAIRE DE MONTAGE

**50064**

### RAPIDE SUR MESURE

#### **Chevrolet/GMC 1500/2500/3500**

1. N'installez pas les traverses sur la doublure de caisse en plastique. La doublure de caisse en plastique doit être découpée pour permettre le contact métal à métal. Les traverses peuvent être installées sur une doublure pulvérisée en place.
2. Utilisez seulement les boulons, écrous et rondelles fournis pour installer ce produit. Tous les boulons et les écrous sont de classe 5 sauf indication contraire.
3. Ces instructions sont données à titre indicatif, l'installation demeure la responsabilité de l'installateur et du propriétaire. Mesurez toujours la camionnette et la remorque avant d'installer l'attelage pour vous assurer que le dégagement à la cabine et au pare-chocs est suffisant pour permettre les virages.
4. **NE TENTEZ PAS D'INSTALLER CE PRODUIT NI DE REMORQUER AVEC CELUI-CI SI LA PLATEFORME DE LA CAMIONNETTE FAIT MOINS DE 6 PI (1,83 M), À MOINS QU'UN COUPLEUR POUR BOÎTIER DE PIVOT SIDEWINDER NE SOIT INSTALLÉ SUR LA CARAVANE.**

#### **2007 (New Body Style) et plus récent – Installation sur plateformes 5'8", 6'6" et 8' modèles 1500.**

1. Abaisser et enlever le pneu de secours. Enlever l'écran thermique du dessous du véhicule côté passager.
2. **Sur les camionnettes 2007 « New Body Style » avec commande de freins de remorque d'origine :** Replacer la prise électrique située sur l'intérieur du longeron côté conducteur au-dessus de la roue arrière (Figure 2a). La prise doit être enlevée en desserrant deux boulons situés sur l'extérieur du cadre puis en poussant leur tête à travers les fentes en trou de serrure, comme illustré à la Figure 2b. Fixer la prise sur la cornière fournie avec le nécessaire de montage. Le support sera fixé sur l'intérieur du cadre à l'aide d'un boulon de 3/4 po lors d'une étape ultérieure.
3. Placer une traverse de montage sur la plateforme du véhicule. Centrer la traverse sur le plancher de la camionnette et mesurer la distance entre la traverse et le bord arrière de la caisse de la camionnette, comme illustré à la page 9.
4. Utiliser un pointeau pour marquer les trous dans la traverse, comme illustré. Écarter la traverse et percer chaque marque à l'aide d'une mèche 1/8 po. **Remarque : Le réservoir d'essence est situé sous la plateforme du véhicule côté conducteur. Veiller à ne pas l'endommager lors du perçage des trous à travers le plancher.**
5. Placer temporairement les supports de cadre sur les côtés du cadre et vérifier que les trous percés de 1/8 po s'alignent sur les fentes des supports de cadre. Retirer les supports de cadre du véhicule.
6. Agrandir les trous de 1/8 po à 9/16 po si l'on installe l'ensemble de traverses 58058. Agrandir à 11/16 po si l'on utilise l'ensemble de traverses 30124.
7. Boulonner les supports de cadre aux longerons du véhicule comme illustré à la Figure 1 (des espaceurs additionnels sont inclus pour remplir les espaces excessifs entre les supports de cadre et les longerons, à utiliser selon les exigences des modèles). Sur les camionnettes 2007 « New Body Style » équipées de commande de freins d'origine, se reporter à l'étape 2 de l'installation pour relocaliser la prise sur la cornière. Utiliser le boulon 3/4" X 2.0 pour fixer la cornière sur l'intérieur du cadre (voir Figure 2c). Pour faciliter l'installation, certains modèles 1500 avec un cadre de la boîte peut-être besoin des pièces de remplacement sur les trous de montage arrière uniquement. Reportez-vous au (figure 2d) à la page 1.
8. Replacer la traverse de montage sur les trous percés dans le plancher et la boulonner aux supports de cadre à l'aide des boulons de carrosserie fournis. Utiliser les blocs en U fournis entre le support de cadre ou les traverses de montage et le plancher de camionnette pour obtenir un contact métal à métal.
9. Placer l'attelage non assemblé (arches de support de sellette, curseur ou col de cygne) dans la traverse de montage déjà posée. Mettre la traverse arrière et l'attelage (arches de support, curseur ou col de cygne) en place en insérant les languettes dans la traverse, puis en poussant cette dernière à fond vers l'autre traverse. S'assurer que la traverse est centrée sur la plateforme du véhicule. La traverse sera ainsi à la position appropriée et la sellette sera bien ajustée à la camionnette. **Remarque :** Si plus d'un attelage doit être posé sur les traverses, alors les deux doivent être utilisés en même temps pour aligner la traverse arrière. De cette façon, un attelage ne gênera pas l'ajustement de l'autre.
10. Répéter les étapes 4, 6 et 8.
11. En commençant par les boulons de carrosserie qui fixent les traverses au support de cadre, serrer tous les écrous aux couples spécifiés. Serrer les fixations 1/2 po au couple de 75 lb-pi (102 N\*M). Serrer les boulons 5/8 Gr. 5 au couple de 150 lb-pi. Serrer les fixations 3/4 po au couple de 260 lb-pi (353 N\*M).
12. Remettre le pneu de secours en place et le fixer.

# Instructions d'installation

## NECESSAIRE DE MONTAGE

### RAPIDE SUR MESURE

#### Chevrolet/GMC 1500/2500/3500

2001-2006 – Installation sur plateformes courtes et longues, modèles 2500/3500

POUR UTILISATION  
AVEC ENSEMBLE  
DE TRAVERSES  
58058

Numéro de pièce :

50064

#### Équipement requis :

Visserie : 116624

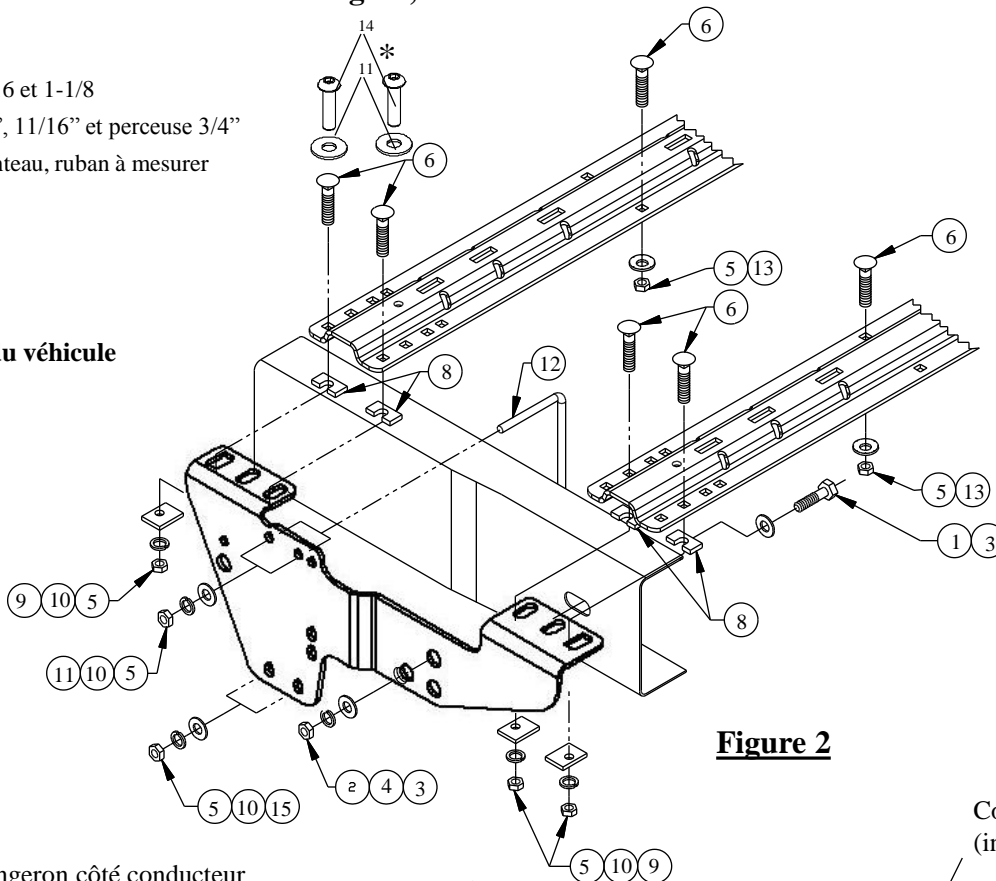
Clés : 3/4, 7/8, 15/16 et 1-1/8

Mèches : 1/8", 1/2", 11/16" et perceuse 3/4"

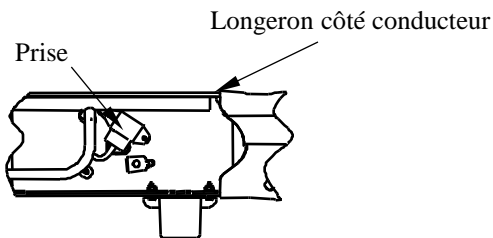
Autres outils : Pointeau, ruban à mesurer



Avant du véhicule

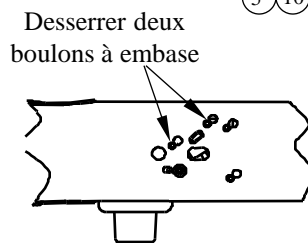


**Figure 2**



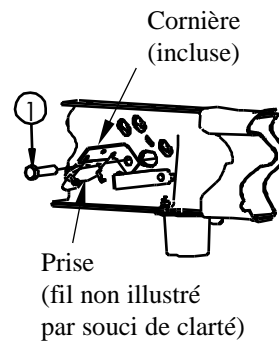
**Figure 2a**

Intérieur du longeron  
côté conducteur



**Figure 2b**

Extérieur du longeron  
côté conducteur



**Figure 2c**

\*: Pour faciliter l'installation, utiliser un boulon à tête ronde (14) avec une rondelle plate (11), comme illustré ci-dessus.

Item #	Quantity	Description	Item #	Quantity	Description
1	Qté (4)	Boulon hex. 3/4" X 1-1/2"	8	Qté (8)	Bloc en U
2	Qté (4)	Écrou hex. 3/4"	9	Qté (8)	Bloc 1/4" X 1.50" X 2.00" (trou décalé)
3	Qté (6)	Rondelle plate 3/4" (grande)	10	Qté (12)	Rondelle frein 1/2"
4	Qté (4)	Rondelle frein 3/4"	11	Qté (6)	Rondelle plate 1/2"
5	Qté (14)	Écrou hex. 1/2"	12	Qté (2)	Boulon en U 1/2"
6	Qté (10)	Boulon de carrosserie 1/2" X 2.00"	13	Qté (2)	Rondelle conique dentée 1/2"
7	Qté (2)	Guide de boulon 1/2" (non illustré)	14	Qté (2)	Boulon tête ronde 1/2" - 13 x 2.00" Gr. 8

# Instructions d'installation

## NÉCESSAIRE DE MONTAGE

### RAPIDE SUR MESURE

#### **Chevrolet/GMC 1500/2500/3500**

Numéro de pièce :

**50064**

1. N'installez pas les traverses sur la doublure de caisse en plastique. La doublure de caisse en plastique doit être découpée pour permettre le contact métal à métal. Les traverses peuvent être installées sur une doublure pulvérisée en place.
2. Utilisez seulement les boulons, écrous et rondelles fournis pour installer ce produit. Tous les boulons et les écrous sont de classe 5 sauf indication contraire.
3. Ces instructions sont données à titre indicatif, l'installation demeure la responsabilité de l'installateur et du propriétaire. Mesurez toujours la camionnette et la remorque avant d'installer l'attelage pour vous assurer que le dégagement à la cabine et au pare-chocs est suffisant pour permettre les virages.
4. **NE TENTEZ PAS D'INSTALLER CE PRODUIT NI DE REMORQUER AVEC CELUI-CI SI LA PLATEFORME DE LA CAMIONNETTE FAIT MOINS DE 6 PI (1,83 M), À MOINS QU'UN COUPLEUR POUR BOÎTIER DE PIVOT SIDEWINDER NE SOIT INSTALLÉ SUR LA CARAVANE.**

#### **2001-2006 – Installation sur plateformes courtes et longues, modèles 2500/3500**

1. Abaisser et enlever le pneu de secours. Enlever l'écran thermique du dessous du véhicule côté passager.
2. **Sur les camionnettes 2007 « New Body Style » avec commande de freins de remorque d'origine :** Replacer la prise électrique située sur l'intérieur du longeron côté conducteur au-dessus de la roue arrière (Figure 2a). La prise doit être enlevée en desserrant deux boulons situés sur l'extérieur du cadre puis en poussant leur tête à travers les fentes en trou de serrure, comme illustré à la Figure 2b. Fixer la prise sur la cornière fournie avec le nécessaire de montage. Le support sera fixé sur l'intérieur du cadre à l'aide d'un boulon de 3/4 po lors d'une étape ultérieure.
3. Placer une traverse de montage sur la plateforme du véhicule. Centrer la traverse sur le plancher de la camionnette et mesurer la distance entre la traverse et le bord arrière de la caisse de la camionnette, comme illustré à la page 9.
4. Utiliser un pointeau pour marquer les trous dans la traverse, comme illustré. Écarter la traverse et percer chaque marque à l'aide d'une mèche 1/8 po. **Remarque : Le réservoir d'essence est situé sous la plateforme du véhicule côté conducteur. Veiller à ne pas l'endommager lors du perçage des trous à travers le plancher.**
5. Placer temporairement les supports de cadre sur les côtés du cadre et vérifier que les trous percés de 1/8 po s'alignent sur les fentes des supports de cadre. Retirer les supports de cadre du véhicule.
6. Agrandir les trous 1/8 po à 9/16 po si l'on installe l'ensemble de traverses 58058. Agrandir à 11/16 po si l'on utilise l'ensemble de traverses 30124.
7. Boulonner les supports de cadre aux longerons du véhicule comme illustré à la Figure 2 (le trou avant peut être percé pour une installation facultative afin de remplacer la fixation par boulon en U si l'on préfère, les deux méthodes étant approuvées, voir la page 7 pour les instructions de perçage). Sur les camionnettes 2007 « New Body Style » équipées de commande de freins d'origine, se reporter à l'étape 2 de l'installation pour relocaliser la prise sur la cornière. Utiliser le boulon 3/4" X 1.50 pour fixer la cornière sur l'intérieur du cadre (voir Figure 2c).
8. Replacer la traverse de montage sur les trous percés dans le plancher et la boulonner aux supports de cadre à l'aide des boulons de carrosserie fournis. Utiliser les blocs en U fournis entre le support de cadre ou les traverses de montage et le plancher de camionnette pour obtenir un contact métal à métal.
9. Placer l'attelage non assemblé (arches de support de sellette, curseur ou col de cygne) dans la traverse de montage déjà posée. Mettre la traverse arrière et l'attelage (arches de support, curseur ou col de cygne) en place en insérant les languettes dans la traverse, puis en poussant cette dernière à fond vers l'autre traverse. S'assurer que la traverse est centrée sur la plateforme du véhicule. La traverse sera ainsi à la position appropriée et la sellette sera bien ajustée à la camionnette. **Remarque :** Si plus d'un attelage doit être posé sur les traverses, alors les deux doivent être utilisés en même temps pour aligner la traverse arrière. De cette façon, un attelage ne gênera pas l'ajustement de l'autre.
10. Répéter les étapes 4, 6 et 8.
11. En commençant par les boulons de carrosserie qui fixent les traverses au support de cadre, serrer tous les écrous aux couples spécifiés. Serrer les fixations 1/2 po au couple de 75 lb-pi (102 N\*M). Serrer les boulons 5/8 Gr. 5 au couple de 150 lb-pi. Serrer les fixations 3/4 po au couple de 260 lb-pi (353 N\*M).
12. Remettre le pneu de secours en place et le fixer.

POUR UTILISATION  
AVEC ENSEMBLE  
DE TRAVERSES  
58058

# Instructions d'installation

## NÉCESSAIRE DE MONTAGE

### RAPIDE SUR MESURE

#### Chevrolet/GMC 1500/2500/3500

Numéro de pièce :  
**50064**

**Équipement requis :**

Visserie : 116624

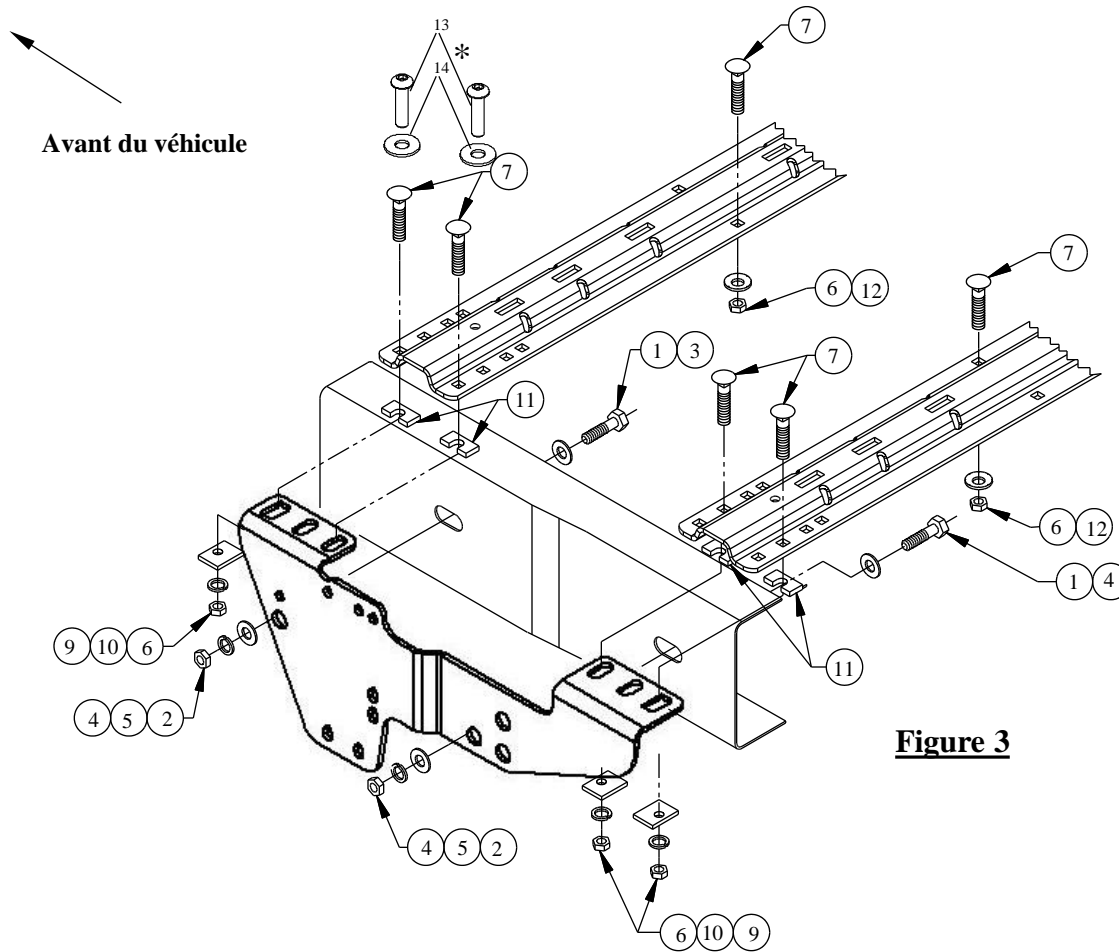
Clés : 3/4, 7/8, 15/16 et 1-1/8

Mèches : 1/8", 1/2", 11/16" et perceuse 3/4"

Autres outils : Pointeau, ruban à mesurer

**AVERTISSEMENT :** En aucun cas nous ne recommandons de dépasser la capacité de charge indiquée par le fabricant du véhicule de remorquage.

**1999-2007 « Classic » – Installation sur plateformes  
5'8", 6'6" et 8', modèles 1500/2500 faible charge.**



**Figure 3**

\*: Pour faciliter l'installation, utiliser un boulon à tête ronde (13) avec une rondelle plate (14), comme illustré ci-dessus.

Item #	Quantity	Description	Item #	Quantity	Description
1	Qté (4)	Boulon hex. 3/4" X 1-1/2"	8	Qté (2)	Guide de boulon 1/2" (non illustré)
2	Qté (4)	Écrou hex. 3/4"	9	Qté (8)	Bloc 1/4" X 1.50" X 2.00" (trou décalé)
3	Qté (2)	Rondelle plate 3/4" (petite)	10	Qté (12)	Rondelle frein 1/2"
4	Qté (6)	Rondelle plate 3/4" (grande)	11	Qté (2)	Boulon en U 1/2"
5	Qté (4)	Rondelle frein 3/4"	12	Qté (2)	Rondelle conique dentée 1/2"
6	Qté (14)	Écrou hex. 1/2"	13	Qté (2)	Boulon tête ronde 1/2" - 13 x 2.00" Gr. 7
7	Qté (10)	Boulon de carrosserie 1/2" X 2.00"	14	Qté (2)	Rondelle plate 1/2"

# Instructions d'installation

## NÉCESSAIRE DE MONTAGE

### RAPIDE SUR MESURE

#### **Chevrolet/GMC 1500/2500/3500**

Numéro de pièce :

**50064**

1. N'installez pas les traverses sur la doublure de caisse en plastique. La doublure de caisse en plastique doit être découpée pour permettre le contact métal à métal. Les traverses peuvent être installées sur une doublure pulvérisée en place.
2. Utilisez seulement les boulons, écrous et rondelles fournis pour installer ce produit. Tous les boulons et les écrous sont de classe 5 sauf indication contraire.
3. Ces instructions sont données à titre indicatif, l'installation demeure la responsabilité de l'installateur et du propriétaire. Mesurez toujours la camionnette et la remorque avant d'installer l'attelage pour vous assurer que le dégagement à la cabine et au pare-chocs est suffisant pour permettre les virages.
4. **NE TENTEZ PAS D'INSTALLER CE PRODUIT NI DE REMORQUER AVEC CELUI-CI SI LA PLATEFORME DE LA CAMIONNETTE FAIT MOINS DE 6 PI (1,83 M), À MOINS QU'UN COUPLEUR POUR BOÎTIER DE PIVOT SIDEWINDER NE SOIT INSTALLÉ SUR LA CARAVANE.**

#### **1999-2007 « Classic » – Installation sur plateformes 5'8", 6'6" et 8', modèles 1500/2500 faible charge.**

1. Abaisser et enlever le pneu de secours. Enlever l'écran thermique du dessous du véhicule côté passager.
2. Placer une traverse de montage sur la plateforme du véhicule. Centrer la traverse sur le plancher de la camionnette et mesurer la distance entre la traverse et le bord arrière de la caisse de la camionnette, comme illustré à la page 9.
3. Utiliser un pointeau pour marquer les trous dans la traverse, comme illustré. Écarter la traverse et percer chaque marque à l'aide d'une mèche 1/8 po. **Remarque : Le réservoir d'essence est situé sous la plateforme du véhicule côté conducteur. Veiller à ne pas l'endommager lors du perçage des trous à travers le plancher.**
4. Placer temporairement les supports de cadre sur les côtés du cadre et vérifier que les trous percés de 1/8 po s'alignent sur les fentes des supports de cadre. Retirer les supports de cadre du véhicule.
5. Agrandir les trous 1/8 po à 9/16 po si l'on installe l'ensemble de traverses 58058. Agrandir les trous à 11/16 po si l'on utilise l'ensemble de traverses 30124.
6. Fixer les supports de cadre aux longerons du véhicule, comme illustré à la Figure 3.
7. Replacer la traverse de montage sur les trous percés dans le plancher et la boulonner aux supports de cadre à l'aide des boulons de carrosserie fournis. Utiliser les blocs en U fournis entre le support de cadre ou les traverses de montage et le plancher de camionnette pour obtenir un contact métal à métal.
8. Placer l'attelage non assemblé (arches de support de sellette, curseur ou col de cygne) dans la traverse de montage déjà posée. Mettre la traverse avant et l'attelage (arches de support, curseur ou col de cygne) en place en insérant les languettes dans la traverse, puis en poussant cette dernière à fond vers l'autre traverse. S'assurer que la traverse est centrée sur la plateforme du véhicule. La traverse sera ainsi à la position appropriée et la sellette sera bien ajustée à la camionnette. **Remarque : Si plus d'un attelage doit être posé sur les traverses, alors les deux doivent être utilisés en même temps pour aligner la traverse arrière. De cette façon, un attelage ne gênera pas l'ajustement de l'autre.**
9. Répéter les étapes 3, 5 et 7.
10. En commençant par les boulons de carrosserie qui fixent les traverses au support de cadre, serrer tous les écrous aux couples spécifiés.

Serrer les fixations 1/2 po au couple de 75 lb-pi (102 N\*M).

Serrer les boulons 5/8 po Gr. 5 au couple de 150 lb-pi (204 N\*M).

Serrer les fixations 3/4 po au couple de 260 lb-pi (353 N\*M).

11. Réinstaller le pneu de secours.

POUR UTILISATION  
AVEC ENSEMBLE  
DE TRAVERSES  
58058

# Instructions d'installation

## NÉCESSAIRE DE MONTAGE

### RAPIDE SUR MESURE

#### Chevrolet/GMC 1500/2500/3500

Numéro de pièce :  
**50064**

**Équipement requis :**

Visserie : 116624

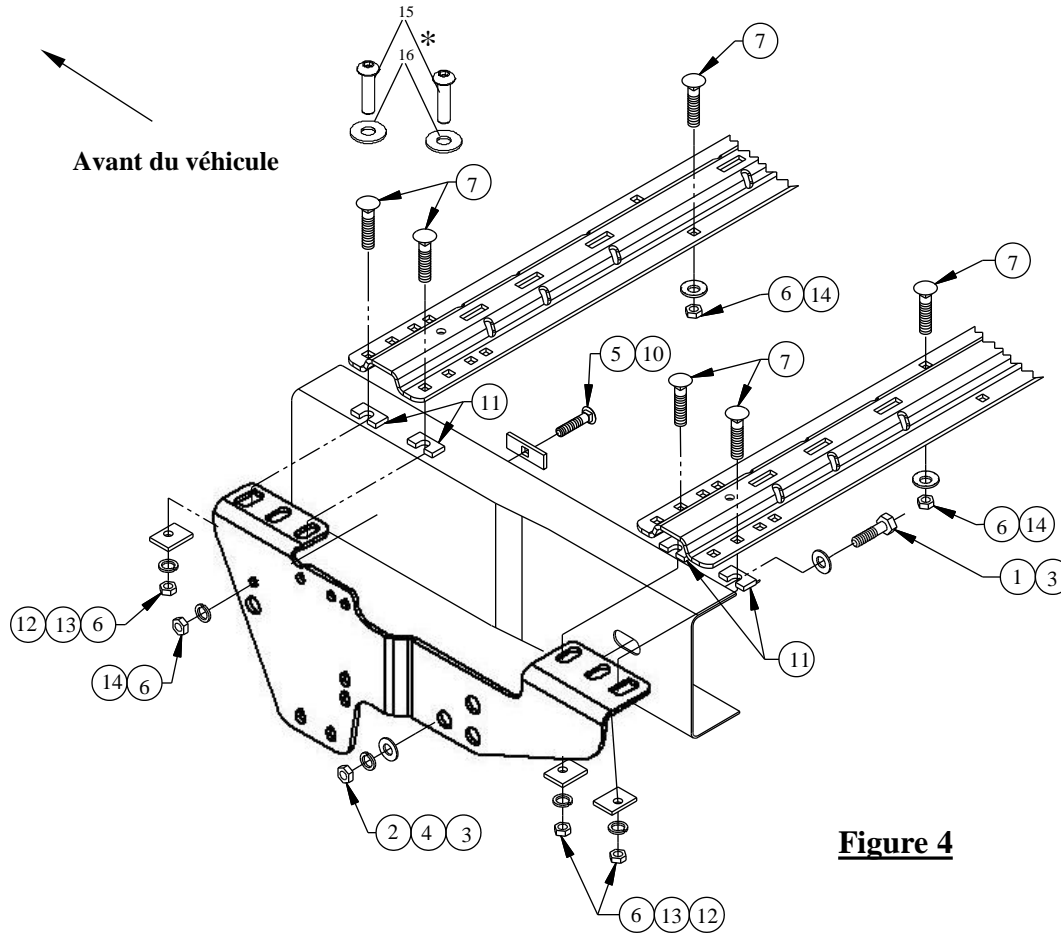
Clés : 3/4, 7/8, 15/16 & 1-1/8

Mèches : 1/8", 1/2", 11/16" et perceuse 3/4"

Autres outils : Pointeau, ruban à mesurer

**AVERTISSEMENT :** En aucun cas nous ne recommandons de dépasser la capacité de charge indiquée par le fabricant du véhicule de remorquage.

### Méthode facultative avec perçage



**Figure 4**

\*: Pour faciliter l'installation, utiliser un boulon à tête ronde (15) avec une rondelle plate (16), comme illustré ci-dessus.

Item #	Quantity	Description	Item #	Quantity	Description
1	Qté (4)	Boulon hex. 3/4" X 1-1/2"	9	Qté (2)	Guide de boulon 1/2" (non illustré)
2	Qté (4)	Écrou hex. 3/4"	10	Qté (2)	Bloc 1/4" X 1.00" X 2.00" (orifice carré)
3	Qté (6)	Rondelle plate 3/4" (grande)	11	Qté (8)	Bloc en U
4	Qté (4)	Rondelle frein 3/4"	12	Qté (8)	Bloc 1/4" X 1.50" X 2.00" (trou décalé)
5	Qté (2)	Boulon de carrosserie 1/2" X 1.50"	13	Qté (12)	Rondelle frein 1/2"
6	Qté (14)	Écrou hex. 1/2"	14	Qté (2)	Rondelle conique dentée 1/2"
7	Qté (10)	Boulon de carrosserie 1/2" X 2.00"	15	Qty. (2)	Boulon tête ronde 1/2" - 13 x 2.00" Gr. 6
8	Qté (2)	Guide de boulon 3/4" (non illustré)	16	Qty. (2)	Rondelle plate 1/2"

# Instructions d'installation

## NÉCESSAIRE DE MONTAGE

### RAPIDE SUR MESURE

#### **Chevrolet/GMC 1500/2500/3500**

Numéro de pièce :

**50064**

1. N'installez pas les traverses sur la doublure de caisse en plastique. La doublure de caisse en plastique doit être découpée pour permettre le contact métal à métal. Les traverses peuvent être installées sur une doublure pulvérisée en place.
2. Utilisez seulement les boulons, écrous et rondelles fournis pour installer ce produit. Tous les boulons et les écrous sont de classe 5 sauf indication contraire.
3. Ces instructions sont données à titre indicatif, l'installation demeure la responsabilité de l'installateur et du propriétaire. Mesurez toujours la camionnette et la remorque avant d'installer l'attelage pour vous assurer que le dégagement à la cabine et au pare-chocs est suffisant pour permettre les virages.
4. **NE TENTEZ PAS D'INSTALLER CE PRODUIT NI DE REMORQUER AVEC CELUI-CI SI LA PLATEFORME DE LA CAMIONNETTE FAIT MOINS DE 6 PI (1,83 M), À MOINS QU'UN COUPLEUR POUR BOÎTIER DE PIVOT SIDEWINDER NE SOIT INSTALLÉ SUR LA CARAVANE.**

#### **Méthode facultative avec perçage**

1. Abaisser et enlever le pneu de secours. Enlever l'écran thermique du dessous du véhicule côté passager.
2. Placer une traverse de montage sur la plateforme du véhicule. Centrer la traverse sur le plancher de la camionnette et mesurer la distance entre la traverse et le bord arrière de la caisse de la camionnette, comme illustré à la page 9.
3. Utiliser un pointeau pour marquer les trous dans la traverse, comme illustré. Écarter la traverse et percer chaque marque à l'aide d'une mèche 1/8 po. **Remarque : Le réservoir d'essence est situé sous la plateforme du véhicule côté conducteur. Veiller à ne pas l'endommager lors du perçage des trous à travers le plancher.**
4. Placer temporairement les supports de cadre sur les côtés du cadre et vérifier que les trous percés de 1/8 po s'alignent sur les fentes des supports de cadre. Retirer les supports de cadre du véhicule.
5. Agrandir les trous 1/8 po à 9/16 po si l'on installe l'ensemble de traverses 58058. Agrandir à 11/16 po si l'on utilise l'ensemble de traverses 30124.
6. Placer les supports de cadre vis-à-vis des trous 9/16 po percés à l'étape 5 puis, en se servant de ces supports de cadre comme gabarit, percer un trou 1/2 po à travers le longeron du véhicule et fixer les supports dans les longerons, comme illustré à la Figure 4.
7. Replacer la traverse de montage sur les trous percés dans le plancher et la boulonner aux supports de cadre à l'aide des boulons de carrosserie fournis. Utiliser les blocs en U fournis entre le support de cadre ou les traverses de montage et le plancher de camionnette pour obtenir un contact métal à métal.
8. Placer l'attelage non assemblé (arches de support de sellette, curseur ou col de cygne) dans la traverse de montage déjà posée. Mettre la traverse arrière et l'attelage (arches de support, curseur ou col de cygne) en place en insérant les languettes dans la traverse, puis en poussant cette dernière à fond vers l'autre traverse. S'assurer que la traverse est centrée sur la plateforme du véhicule. La traverse sera ainsi à la position appropriée et la sellette sera bien ajustée à la camionnette. **Remarque : Si plus d'un attelage doit être posé sur les traverses, alors les deux doivent être utilisés en même temps pour aligner la traverse arrière. De cette façon, un attelage ne gênera pas l'ajustement de l'autre.**
9. Répéter les étapes 3, 5 et 7.
10. En commençant par les boulons de carrosserie qui fixent les traverses au support de cadre, serrer tous les écrous aux couples spécifiés.

Serrer les fixations 1/2 po au couple de 75 lb-pi (102 N\*M).

Serrer les fixations 3/4 po au couple de 260 lb-pi (353 N\*M).

Serrer les boulons 5/8 po Gr. 5 au couple de 150 lb-pi (204 N\*M).

11. Réinstaller le pneu de secours.

# Instructions d'installation

## NÉCESSAIRE DE MONTAGE

### RAPIDE SUR MESURE

Chevrolet/GMC 1500/2500/3500

Numéro de pièce :

50064

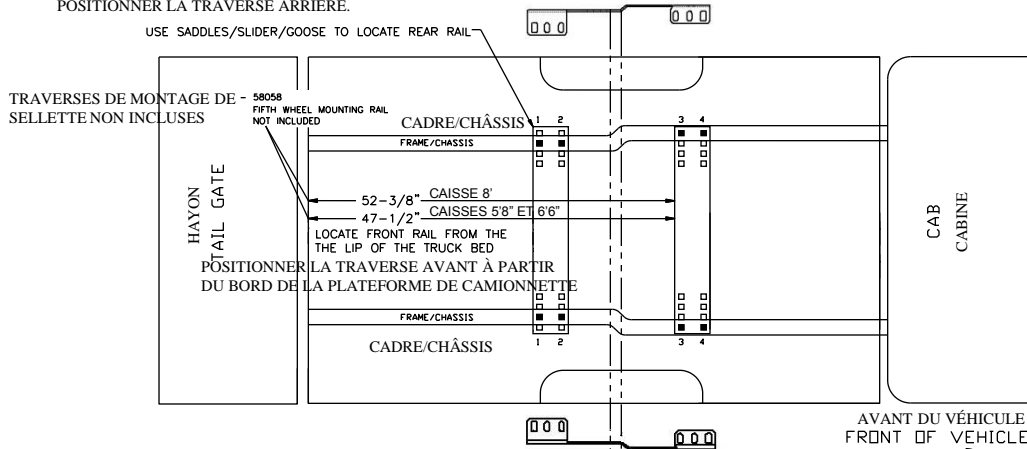
## Positionnement de la traverse de montage 58058

UTILISER ARCHE, CURSEUR OU COL DE CYGNE POUR  
POSITIONNER LA TRAVERSE ARRIÈRE.

USE SADDLES/SLIDER/GOOSE TO LOCATE REAR RAIL

TRAVERSES DE MONTAGE DE  
SELLETTE NON INCLUSES

58058  
FIFTH WHEEL MOUNTING RAIL  
NOT INCLUDED



AVANT DU VÉHICULE  
FRONT OF VEHICLE

TROU DE MONTAGE DU  
SUPPORT DE CADRE

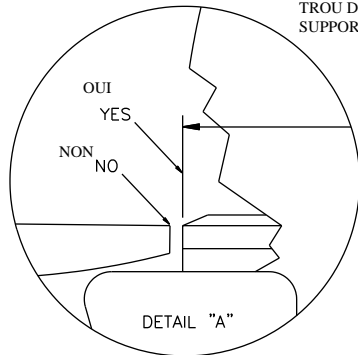
■ FRAME BRACKET  
MOUNTING HOLE

LIGNE DE CENTRE DE L'ESSEU  
AXLE CENTER LINE

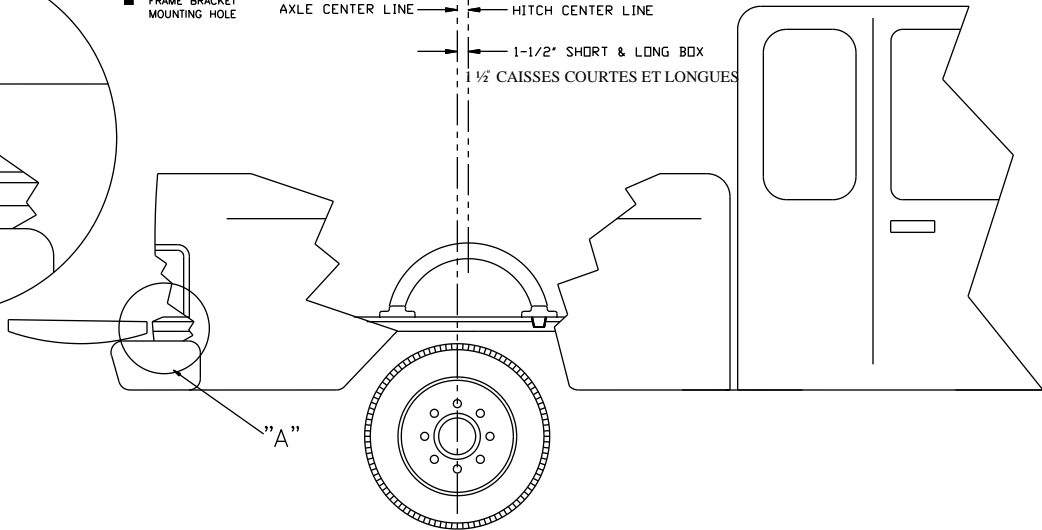
LIGNE DE CENTRE DE L'ATTelage  
HITCH CENTER LINE

1-1/2\" SHORT & LONG BOX

1/2\" CAISSES COURTES ET LONGUES



DETAIL "A"



"A"

# Instructions d'installation

## NÉCESSAIRE DE MONTAGE

## RAPIDE SUR MESURE

Chevrolet/GMC 1500/2500/3500

Numéro de pièce :

50064

### Positionnement de la traverse de montage 30124

UTILISER ARCHE, CURSEUR OU COL DE CYGNE POUR  
POSITIONNER LA TRAVERSE ARRIÈRE.

USE SADDLES/SLIDER/GOOSE TO LOCATE REAR RAIL

TRAVERSES DE MONTAGE DE  
SELLETTE NON INCLUSES

58058  
FIFTH WHEEL MOUNTING RAIL  
NOT INCLUDED

CADRE/CHÂSSIS  
FRAME/CHASSIS

52-3/8" CAISSE 8"

47-1/2" CAISSES 58" E

LOCATE FRONT RAIL FROM THE  
THE LIP OF THE TRUCK BED

POSITIONNER LA TRAVERSE AVANT À PARTIR  
DU BORD DE LA PLATEFORME DE CAMIONNETTE

CADRE/CHÂSSIS  
FRAME/CHASSIS

CAB  
CABINE

AVANT DU VÉHICULE  
FRONT OF VEHICLE

TROU DE MONTAGE DU  
SUPPORT DE CADRE

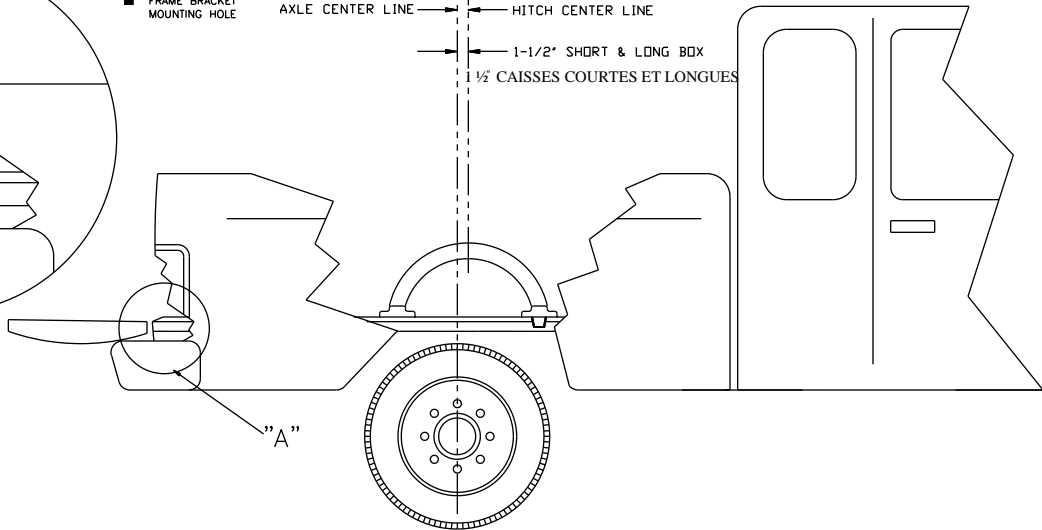
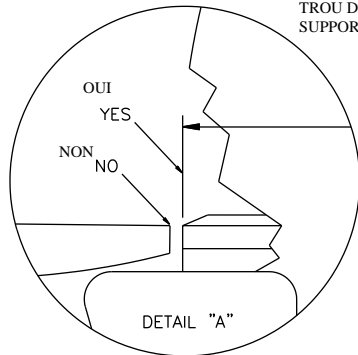
■ FRAME BRACKET  
MOUNTING HOLE

LIGNE DE CENTRE DE L'ESSEU  
AXLE CENTER LINE

LIGNE DE CENTRE DE L'ATTelage  
HITCH CENTER LINE

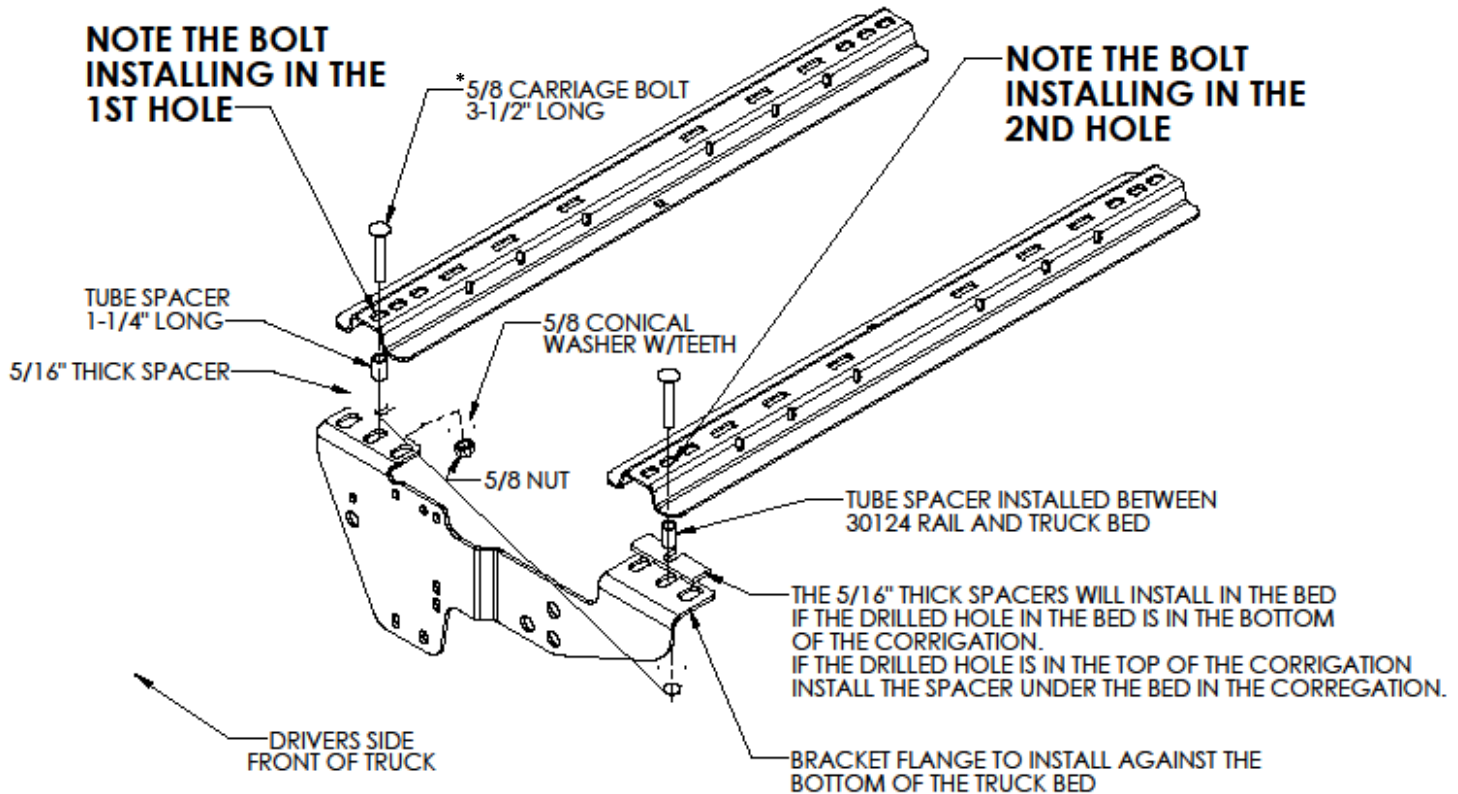
1-1/2" SHORT & LONG BOX

1/2" CAISSES COURTES ET LONGUES



# INSTRUCTIONS WHEN USING THE 30095 OR 30124 RAIL KIT WITH CHEVY / GMC 1500/2500/3500

HARDWARE AND INSTALLATION IS THE SAME FOR BOTH DRIVERS SIDE AND PASSENGERS SIDE.



- 1) See Previous pages on how to install brackets to the frame for your particular model vehicle.
- 2) See page 10 for rail placement
- 3) Torque the 1/2" fasteners to 75 (ft.-lb.) 102 (N\*M)  
Torque the 3/4" fasteners to 260 (ft.-lb.) 353 (N\*M)  
Torque 5/8 Gr. 5 bolts to 150 (ft.-lbs.) 204 (N\*m)

**\*FOR EASE OF INSTALLATION: 5/8" X 3-1/2" HEX BOLT CAN BE USED ALONG WITH A FLAT WASHER ABOVE THE RAIL IN PLACE OF THE 5/8" X 3-1/2" CARRIAGE BOLT (GRADE 5 OR HIGHER)**

# PARA USO CON EL KIT DE LARGUEROS 58058

## Instrucciones de instalación

### KIT DE MONTAJE PARA INSTALACIÓN RÁPIDA PERSONALIZADA Chevrolet/GMC 1500/2500/3500

Número de partes:  
**50064**

Instalación de base en vehículos pickup de 5'8", 6'6" & 8' 2007  
("Nuevo estilo de carrocería") y posteriores – 1500

**Equipo necesario:**

Kit de tornillos: 116624

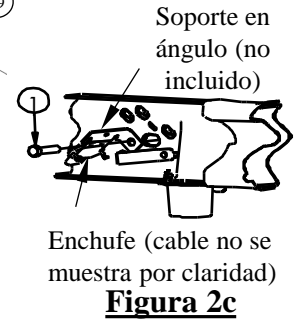
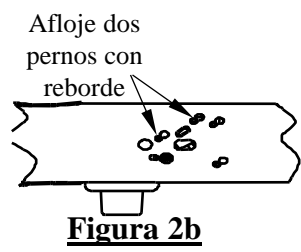
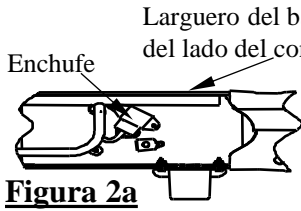
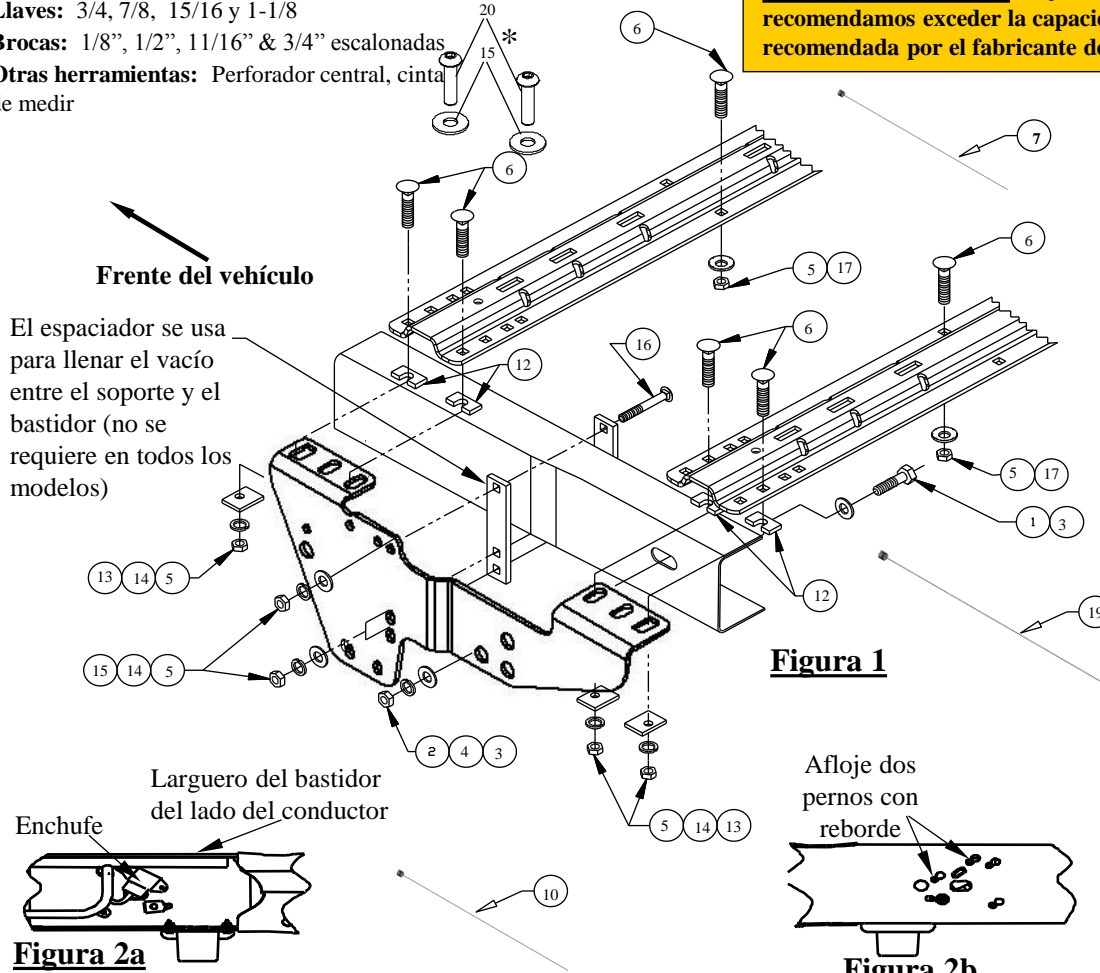
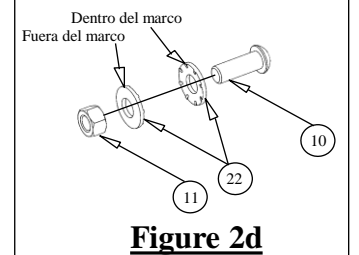
Llaves: 3/4, 7/8, 15/16 y 1-1/8

Brocas: 1/8", 1/2", 11/16" & 3/4" escalonadas

Otras herramientas: Perforador central, cinta de medir

**ADVERTENCIA:** Bajo ninguna circunstancia recomendamos exceder la capacidad de remolque del vehículo recomendada por el fabricante del vehículo de remolque.

**Note:** Para unos 1500 vehículos con bastidor de caja, utilice las piezas 10, 11 y 22, en lugar de las partes 1, 2, 4 y 5 en los agujeros de montaje posterior solamente.



\*: Para fácil instalación use el perno de cabeza de botón (20) con arandela plana (15), como se muestra arriba.

el artículo	cantidad	descripción	el artículo	cantidad	descripción
1	Cant. (4)	Perno hexagonal, 3/4" X 2.00"	11	Cant. (2)	Guía de perno, 1/2" (no se muestra)
2	Cant. (4)	Tuerca hexagonal, 3/4"	12	Cant. (8)	Bloque en forma de U
3	Cant. (6)	Arandela plana, 3/4" (grande)	13	Cant. (8)	Bloque, 1/4" X 1.50" X 2.00" (orificio de ajuste)
4	Cant. (4)	Arandela de bloqueo, 3/4"	14	Cant. (12)	Arandela de bloqueo, 1/2"
5	Cant. (14)	Tuerca hexagonal, 1/2"	15	Cant. (4)	Arandela plana, 1/2"
6	Cant. (10)	Perno de carruaje, 1/2"-13 X 2.00"	16	Cant. (4)	Perno de carruaje, 1/2"-13 X 4.50" ó 5.50" (según se necesite)
7	Cant. (2)	Guía de perno, 3/4"	17	Cant. (2)	Arandela cónica dentada, 1/2"
8	Cant. (2)	Tornillo Cabeza Botón 5/8"-11 x 1.75" GR. 8	18	Cant. (4)	Arandela cónica, 5/8"
9	Cant. (2)	Tuerca hexagonal 5/8"	19	Cant. (2)	Tire de alambre, 5/8"
10	Cant. (2)	Tire de alambre 1/2"	20	Cant. (2)	Perno cabeza de botón, 1/2" - 13 x 2.00", Gr. 8

**Instrucciones de instalación**  
**KIT DE MONTAJE PARA INSTALACIÓN**  
**RÁPIDA PERSONALIZADA**  
**Chevrolet/GMC 1500/2500/3500**

Números de partes:

**50064**

1. No instale los largueros de montaje sobre los forros plásticos de la base. Los forros plásticos de la base se deben quitar del camino para ofrecer contacto directo de metal a metal. Los largueros de montaje se pueden instalar en spray en los forros.
2. Use únicamente pernos, tuercas y arandelas suministradas para instalar este kit. Todos los pernos y las tuercas son grado 5 a menos que se especifique diferente.
3. Estas instrucciones son pautas únicamente, la instalación como tal es responsabilidad del instalador y del propietario. Siempre mida el vehículo y el remolque antes de instalar el enganche para verificar que haya espacio en la cabina y en el parachoques para permitir los giros.
4. **NO INSTALE ESTE PRODUCTO NI INTENTE REMOLCAR CON UN VEHÍCULO QUE TENGA UNA BASE INFERIOR A 6' DE LARGO A MENOS QUE SE HAYA INSTALADO UN ACOPLADOR DE CONECTORES SIDEWINDER EN EL REMOLQUE.**

**Instalación de base en vehículos pickup 1500 5'8", 6'6" y 8' 2007 ("Estilo de carrocería nueva") y posteriores**

1. Baje y quite la llanta de repuesto. Quite el protector de calor del escape de la parte inferior del lado del pasajero del vehículo.
2. **En vehículos pickup 2007 "Estilo de carrocería nueva" con un controlador de freno del remolque OE:** Vuelva a ubicar el enchufe eléctrico que se encuentra en el interior del larguero del bastidor del lado del conductor sobre la rueda posterior (Figura 2a). El enchufe se puede quitar del bastidor aflojando los dos pernos en el exterior del bastidor y empujando las cabezas de los pernos a través de las ranuras del orificio de la llave, como se muestra en la Figura 2b. Instale el enchufe al soporte angular que viene con el kit de montaje. El soporte se instalará al interior del bastidor con un perno de 3/4" en un paso posterior.
3. Coloque un larguero de montaje en la base del vehículo. Centre el larguero en el piso de la base del vehículo y use su cinta de medir para ubicar la distancia correcta desde el larguero hasta el borde posterior de la caja del vehículo como se ilustra en la página 9.
4. Use un perforador central para marcar los orificios en el larguero según la ilustración. Quite el larguero del camino y perforo cada posición con una broca de 1/8". **Nota: En el lado del conductor del vehículo el tanque de combustible se encuentra debajo de la base del vehículo. Al perforar los orificios a través de la base tenga cuidado de no dañar el tanque de combustible.**
5. Coloque temporalmente los soportes del bastidor en los lados del bastidor y revise que los orificios perforados de 1/8" se alineen con las ranuras en los soportes del bastidor. Retire los soportes del bastidor del vehículo.
6. Agrande los orificios perforados de 1/8" a 9/16" si está instalando el kit de largueros 58058. Agrande a 11/16" si usa el kit de largueros 30124.
7. Una los soportes del bastidor a los largueros del bastidor del vehículo como se muestra en la Figura 1 (se incluyen espaciadores adicionales para llenar el espacio excesivo entre los soportes del bastidor y los largueros del bastidor del vehículo, use según se requiera en ciertos modelos). En vehículos pickup 2007 "Estilo de carrocería nueva" con control de frenos OE, consulte el paso de instalación 2 para reubicar el enchufe con el soporte angular. Use el perno 3/4" X 2.00 para instalar el soporte angular al interior del bastidor (ver Figura 2c). Para facilitar la instalación, algunos de los 1500 modelos con un marco cuadrado posiblemente necesiten partes alternativas solamente en los agujeros de montaje posterior.
8. Vuelva a colocar el larguero de montaje sobre los orificios en la base y sujete el larguero de montaje a los soportes del bastidor usando los pernos de carruaje que se suministran. Use los bloques en forma de U que se suministran entre el soporte del bastidor o largueros de montaje y la base del vehículo para asegurar un contacto directo de metal con metal.
9. Coloque los arcos de apoyo/deslizador/ganso de quinta rueda sin armar dentro del larguero de montaje ya instalado. Coloque el larguero de montaje posterior con los arcos de apoyo/deslizador/ganso insertando las lengüetas en el larguero de montaje y empujando el larguero de montaje firmemente hacia el otro larguero de montaje. Verifique que el larguero de montaje esté centrado en la base del vehículo. Esto posicionará al larguero en el lugar correcto y garantiza que la quinta rueda tenga un ajuste firme al vehículo. **Nota: Si se va a usar más de un enganche con los largueros de montaje entonces ambos tipos se deben usar al mismo tiempo para alinear el larguero de montaje posterior. Esto garantizará que un producto no comprometa el ajuste del otro.**
10. Repita los pasos de instalación 4, 6 y 8.
11. Empezando con los pernos de carruaje que sujetan los largueros y el soporte del bastidor, apriete todas las tuercas. Apriete los tornillos de 1/2" a 75 (pies-lb.) 102 (N\*M). Apriete los pernos de 5/8 Gr. 5 a 150 pies-lbs. Apriete los tornillos de 3/4" a 260 (pies.-lb.) 353 (N\*M)
12. Vuelva a instalar la llanta de repuesto.

# Instrucciones de instalación

PARA USO CON EL **KIT DE MONTAJE PARA INSTALACIÓN**

Números de partes:

KIT DE

**RÁPIDA PERSONALIZADA**

**50064**

**LARGUEROS 58058**

**Chevrolet/GMC 1500/2500/3500**

**Instalación de base corta y larga en vehículos pickups 2001 y posteriores – 2500/3500**

**Equipo necesario:**

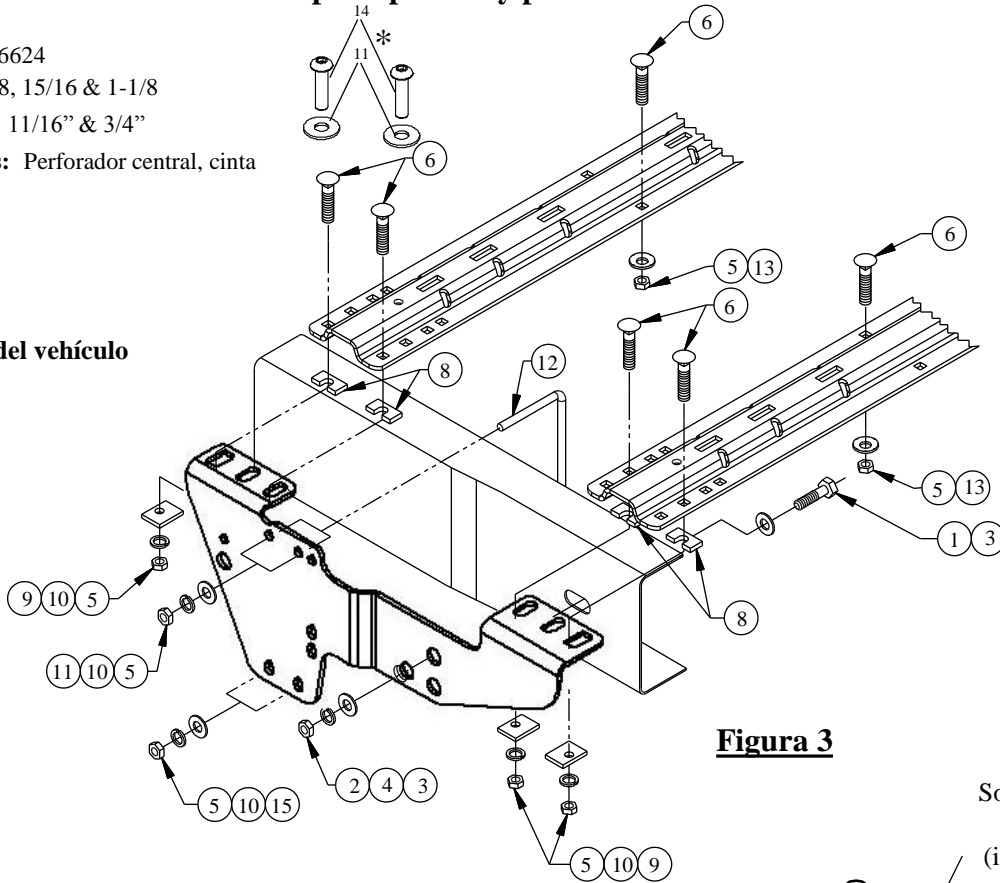
**Kit de tornillos:** 116624

**Llaves:** 3/4, 7/8, 15/16 & 1-1/8

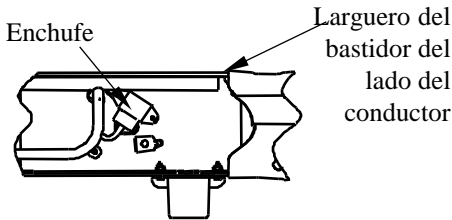
**Brocas:** 1/8", 1/2", 11/16" & 3/4"

**Otras herramientas:** Perforador central, cinta de medir

Frente del vehículo

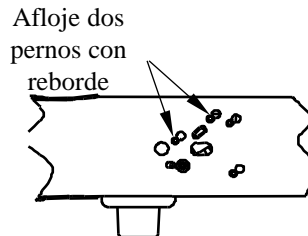


**Figura 3**



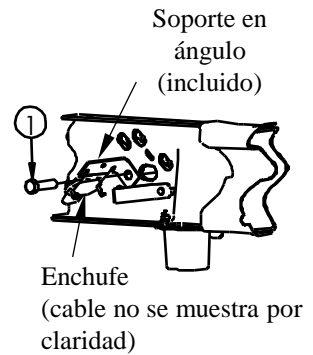
**Figura 4a**

Larguero del bastidor interior del lado del conductor



**Figura 3b**

Larguero del bastidor exterior del lado del conductor



**Figura 3c**

\*: Para fácil instalación use el perno de cabeza de botón (14) con la arandela plana (11), como se muestra arriba.

el artículo	cantidad	descripción	el artículo	cantidad	descripción
1	Cant. (4)	Perno hexagonal, 3/4" X 1-1/2"	8	Cant. (8)	Bloque en forma de U
2	Cant. (4)	Tuerca hexagonal, 3/4"	9	Cant. (8)	Bloque, 1/4" X 1.50" X 2.00" (orificio de ajuste)
3	Cant. (6)	Arandela plana, 3/4" (grande)	10	Cant. (12)	Arandela de bloqueo, 1/2"
4	Cant. (4)	Arandela de bloqueo, 3/4"	11	Cant. (4)	Arandela plana, 1/2"
5	Cant. (14)	Tuerca hexagonal, 1/2"	12	Cant. (2)	Perno en U, 1/2"
6	Cant. (10)	Perno de carruaje, 1/2" X 2.00"	13	Cant. (2)	Arandela cónica dentada, 1/2"
7	Cant. (2)	Guía de perno, 1/2" (no se muestra)	14	Cant. (2)	Perno cabeza de botón, 1/2" - 13 x 2.00", Gr. 8

**Instrucciones de instalación**  
**KIT DE MONTAJE PARA INSTALACIÓN**  
**RÁPIDA PERSONALIZADA**

Números de partes:  
**50064**

**Chevrolet/GMC 1500/2500/3500**

1. No instale los largueros de montaje sobre los forros plásticos de la base. Los forros plásticos de la base se deben quitar del camino para ofrecer contacto directo de metal a metal. Los largueros de montaje se pueden instalar en spray en los forros.
2. Use únicamente pernos, tuercas y arandelas suministradas para instalar este kit. Todos los pernos y las tuercas son grado 5 a menos que se especifique diferente.
3. Estas instrucciones son pautas únicamente, la instalación como tal es responsabilidad del instalador y del propietario. Siempre mida el vehículo y el remolque antes de instalar el enganche para verificar que haya espacio en la cabina y en el parachoques para permitir los giros.
4. **NO INSTALE ESTE PRODUCTO NI INTENTE REMOLCAR CON UN VEHÍCULO QUE TENGA UNA BASE INFERIOR A 6' DE LARGO A MENOS QUE SE HAYA INSTALADO UN ACOPLADOR DE CONECTORES SIDEWINDER EN EL REMOLQUE.**

**Instalación de base larga y corta en vehículos pickup 2001-2006 – 2500/3500**

1. Baje y quite la llanta de repuesto. Quite el protector de calor del escape de la parte inferior del lado del pasajero del vehículo.
2. **En vehículos pickup 2007 “Estilo de carrocería nueva” con un controlador de freno del remolque OE:** Vuelva a ubicar el enchufe eléctrico que se encuentra en el interior del larguero del bastidor del lado del conductor sobre la rueda posterior (Figura 4a). El enchufe se puede quitar del bastidor aflojando los dos pernos en el exterior del bastidor y empujando las cabezas de los pernos a través de las ranuras del orificio de la llave, como se muestra en la Figura 3b. Instale el enchufe al soporte angular que viene con el kit de montaje. El soporte se instalará al interior del bastidor con un perno de 3/4” en un paso posterior.
3. Coloque un larguero de montaje en la base del vehículo. Centre el larguero en el piso de la base del vehículo y use su cinta de medir para ubicar la distancia correcta desde el larguero hasta el borde posterior de la caja del vehículo como se ilustra en la página 9.
4. Use un perforador central para marcar los orificios en el larguero según la ilustración. Quite el larguero del camino y perforo cada posición con una broca de 1/8”. **Nota: En el lado del conductor del vehículo el tanque de combustible se encuentra debajo de la base del vehículo. Al perforar los orificios a través de la base tenga cuidado de no dañar el tanque de combustible.**
5. Coloque temporalmente los soportes del bastidor en los lados del bastidor y revise que los orificios perforados de 1/8” se alineen con las ranuras en los soportes del bastidor. Retire los soportes del bastidor del vehículo.
6. Agrande los orificios perforados de 1/8” a 9/16” si está instalando el kit de largueros 58058. Agrande a 11/16” si usa el kit de largueros 30124.
7. Una los soportes del bastidor a los largueros del bastidor del vehículo como se muestra en la Figura 3 (el orificio delantero se puede perforar como una instalación opcional, para reemplazar el accesorio del perno en U si se prefiere, ambas instalaciones están aprobadas, consulte la página 7 para instrucciones de perforación). En vehículos pickup 2007 “Estilo de carrocería nueva” con control de frenos OE, consulte el paso de instalación 2 para reubicar el enchufe con el soporte angular. Use el perno 3/4” X 1.50 para instalar el soporte angular al interior del bastidor (ver Figura 3c).
8. Vuelva a colocar el larguero de montaje sobre los orificios en la base y sujete el larguero de montaje a los soportes del bastidor usando los pernos de carruaje que se suministran. Use los bloques en forma de U que se suministran entre el soporte del bastidor o largueros de montaje y la base del vehículo para asegurar un contacto directo de metal con metal.
9. Coloque los arcos de apoyo/deslizador/ganso de quinta rueda sin armar dentro del larguero de montaje ya instalado. Coloque el larguero de montaje posterior con los arcos de apoyo/deslizador/ganso insertando las lengüetas en el larguero de montaje y empujando el larguero de montaje firmemente hacia el otro larguero de montaje. Verifique que el larguero de montaje esté centrado en la base del vehículo. Esto posicionará al larguero en el lugar correcto y garantiza que la quinta rueda tenga un ajuste firme al vehículo. **Nota:** Si se va a usar más de un enganche con los largueros de montaje entonces ambos tipos se deben usar al mismo tiempo para alinear el larguero de montaje posterior. Esto garantizará que un producto no comprometa el ajuste del otro.
10. Repita los pasos de instalación 4, 6 y 8.
11. Empezando con los pernos de carruaje que sujetan los largueros y el soporte del bastidor, apriete todas las tuercas. Apriete los tornillos de 1/2” a 75 (pies-lb.) 102 (N\*M). Apriete los pernos de 5/8 Gr. 5 a 150 pies-lbs. Apriete los tornillos de 3/4” a 260 (pies.-lb.) 353 (N\*M)
12. Vuelva a instalar la llanta de repuesto.

PARA USO CON EL  
KIT DE  
LARGUEROS 58058

**Instrucciones de instalación**  
**KIT DE MONTAJE PARA INSTALACIÓN**  
**RÁPIDA PERSONALIZADA**  
Chevrolet/GMC 1500/2500/3500

**Números de partes:**  
**50064**

**Equipo necesario:**

Kit de tornillos: 116624

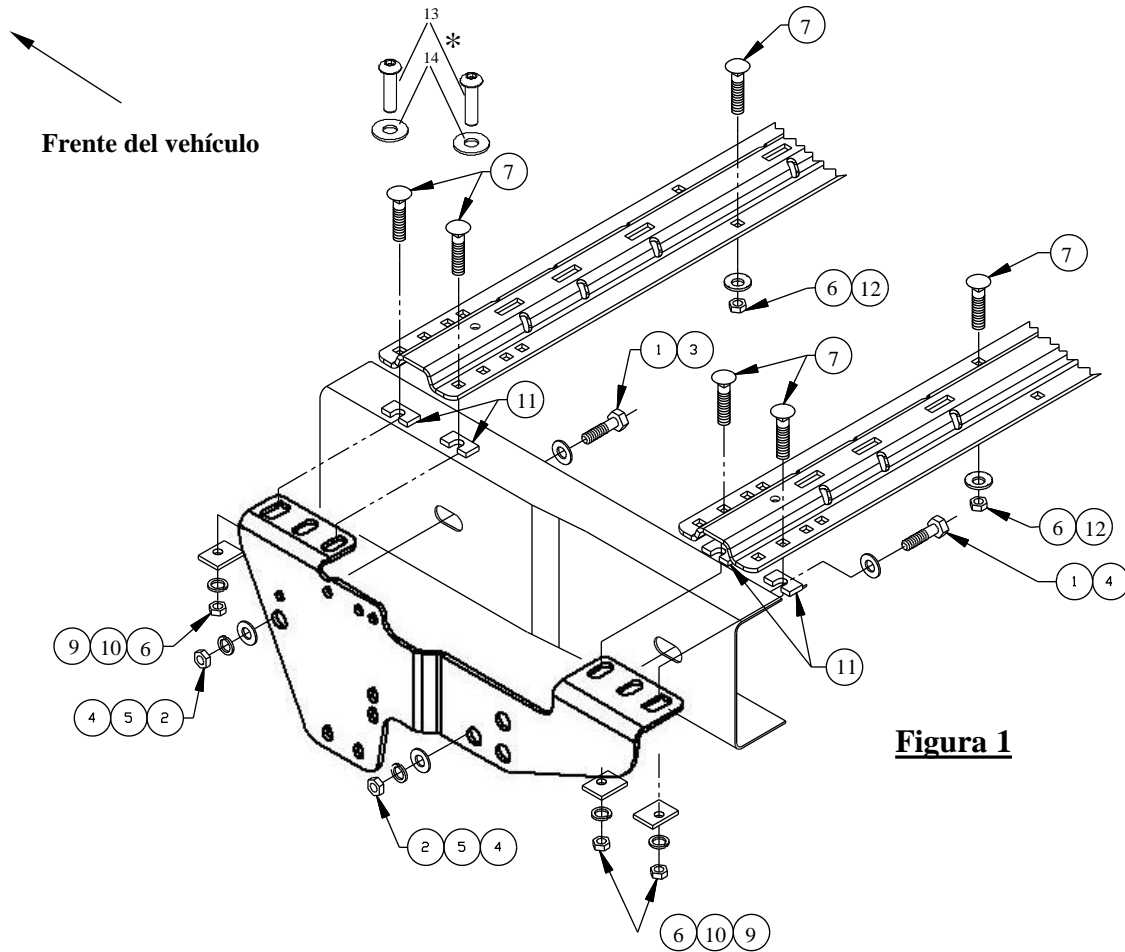
Llaves: 3/4, 7/8, 15/16 & 1-1/8

Brocas : 1/8", 1/2", 11/16" y 3/4"

Otras herramientas: Perforador central, cinta de medir

**ADVERTENCIA:** Bajo ninguna circunstancia recomendamos exceder la capacidad de remolque del vehículo recomendada por el fabricante del vehículo de remolque.

**Instalación de base 1500/2500 Trabajo Liviano 5'8", 6'6" y 8' en vehículos pickup 1999-2007 "Clásicos"**



**Figura 1**

\*: Para fácil instalación use el perno de cabeza de botón (13) con la arandela plana (14) como se muestra arriba.

el artículo	cantidad	descripción	el artículo	cantidad	descripción
1	Cant. (4)	Perno hexagonal, 3/4" X 1-1/2"	8	Cant. (2)	Guía de perno, 1/2" (no se muestra)
2	Cant. (4)	Tuerca hexagonal, 3/4"	9	Cant. (8)	Bloque en forma de U
3	Cant. (2)	Arandela plana, 3/4" (pequeña)	10	Cant. (8)	Bloque, 1/4" X 1.50" X 2.00" (orificio de ajuste)
4	Cant. (6)	Arandela plana, 3/4" (grande)	11	Cant. (12)	Arandela de bloqueo, 1/2"
5	Cant. (4)	Arandela de bloqueo, 3/4"	12	Cant. (2)	Arandela cónica dentada, 1/2"
6	Cant. (14)	Tuerca hexagonal, 1/2"	13	Cant. (2)	Perno cabeza de botón, 1/2" - 13 x 2.00", Gr. 7
7	Cant. (10)	Perno de carruaje, 1/2" X 2.00"	14	Cant. (2)	Arandela plana, 1/2"

# Instrucciones de instalación

Números de partes:

## KIT DE MONTAJE PARA INSTALACIÓN RÁPIDA PERSONALIZADA

**50064**

### **Chevrolet/GMC 1500/2500/3500**

1. No instale los largueros de montaje sobre los forros plásticos de la base. Los forros plásticos de la base se deben quitar del camino para ofrecer contacto directo de metal a metal. Los largueros de montaje se pueden instalar en spray en los forros.
2. Use únicamente pernos, tuercas y arandelas suministradas para instalar este kit. Todos los pernos y las tuercas son grado 5 a menos que se especifique diferente.
3. Estas instrucciones son pautas únicamente, la instalación como tal es responsabilidad del instalador y del propietario. Siempre mida el vehículo y el remolque antes de instalar el enganche para verificar que haya espacio en la cabina y en el parachoques para permitir los giros.
4. **NO INSTALE ESTE PRODUCTO NI INTENTE REMOLCAR CON UN VEHÍCULO QUE TENGA UNA BASE INFERIOR A 6' DE LARGO A MENOS QUE SE HAYA INSTALADO UN ACOPLADOR DE CONECTORES SIDEWINDER EN EL REMOLQUE.**

#### **Instalación de base 1500/2500 Trabajo Liviano 5'8", 6'6" y 8' en vehículos pickup 1999-2007 "Clásico"**

1. Baje y quite la llanta de repuesto. Quite el protector de calor del escape de la parte inferior del lado del pasajero del vehículo.
2. Coloque un larguero de montaje en la base del vehículo. Centre el larguero en el piso de la base del vehículo y use su cinta de medir para ubicar la distancia correcta desde el larguero hasta el borde posterior de la caja del vehículo como se ilustra en la página 9.
3. Use un perforador central para marcar los orificios en el larguero según la ilustración. Quite el larguero del camino y perforo cada posición con una broca de 1/8". **Nota: En el lado del conductor del vehículo el tanque de combustible se encuentra debajo de la base del vehículo. Al perforar los orificios a través de la base tenga cuidado de no dañar el tanque de combustible.**
4. Coloque temporalmente los soportes del bastidor en los lados del bastidor y revise que los orificios perforados de 1/8" se alineen con las ranuras en los soportes del bastidor. Retire los soportes del bastidor del vehículo.
5. Agrande los orificios perforados de 1/8" a 9/16" si está instalando el kit de largueros 58058. Agrande a 11/16" si usa el kit de largueros 30124.
6. Una los soportes del bastidor a los largueros del bastidor del vehículo como se muestra en la Figura 1.
7. Vuelva a colocar el larguero de montaje sobre los orificios en la base y sujete el larguero de montaje a los soportes del bastidor usando los pernos de carruaje que se suministran. Use los bloques en forma de U que se suministran entre el soporte del bastidor o largueros de montaje y la base del vehículo para asegurar un contacto directo de metal con metal.
8. Coloque los arcos de apoyo/deslizador/ganso de quinta rueda sin armar dentro del larguero de montaje ya instalado. Coloque el larguero de montaje posterior con los arcos de apoyo/deslizador/ganso insertando las lengüetas en el larguero de montaje y empujando el larguero de montaje firmemente hacia el otro larguero de montaje. Verifique que el larguero de montaje esté centrado en la base del vehículo. Esto posicionará al larguero en el lugar correcto y garantiza que la quinta rueda tenga un ajuste firme al vehículo. **Nota: Si se va a usar más de un enganche con los largueros de montaje entonces ambos tipos se deben usar al mismo tiempo para alinear el larguero de montaje posterior. Esto garantizará que un producto no comprometa el ajuste del otro.**
9. Repita los pasos de instalación 3, 5 y 7.
10. Empezando con los pernos de carruaje que sujetan los largueros y el soporte del bastidor, apriete todas las tuercas.  
Apriete los tornillos de 1/2" a 75 (pies-lb.) 102 (N\*m).  
Apriete los pernos de 5/8 Gr. 5 a 150 pies-lbs (204 N\*m)  
Apriete los tornillos de 3/4" a 260 (pies.-lb.) 353 (N\*m)
11. Vuelva a instalar la llanta de repuesto.

**Equipo necesario:**

Kit de tornillos : 116624

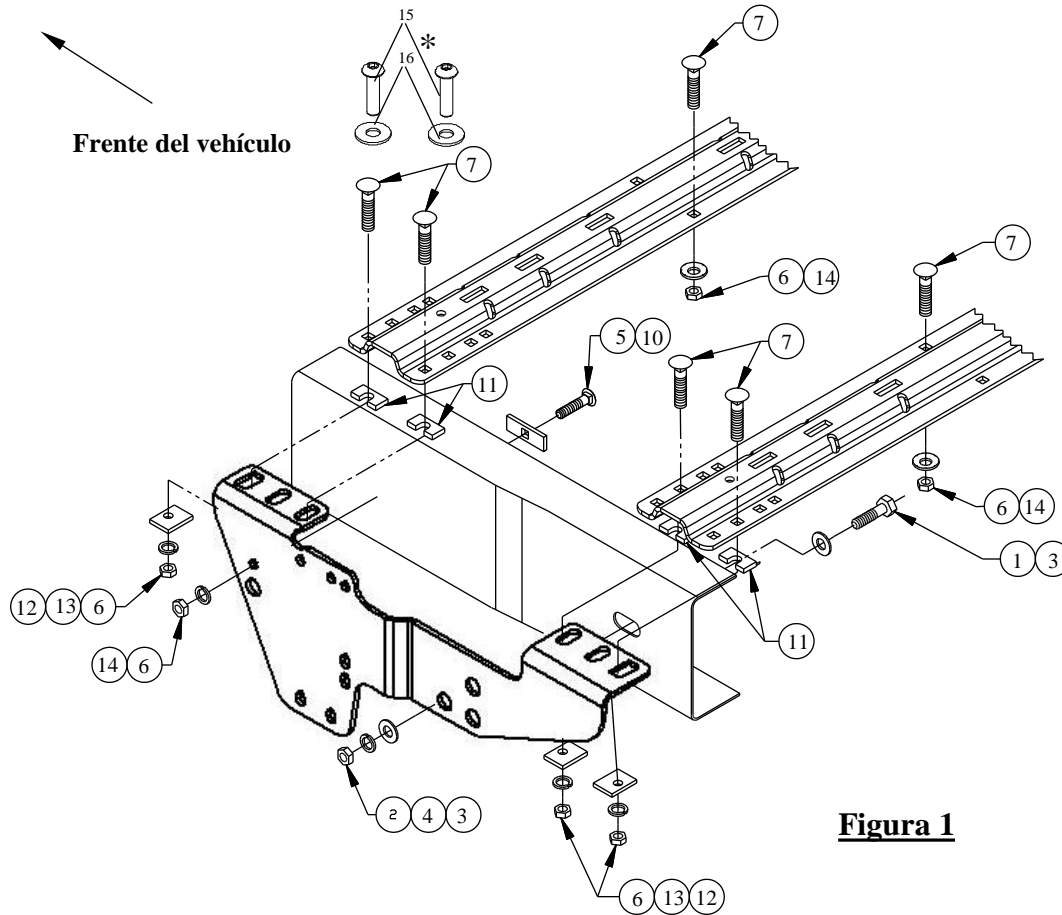
Llaves : 3/4, 7/8, 15/16 & 1-1/8

Brocas : 1/8", 1/2", 11/16" y 3/4"

Otras herramientas: Perforador central, cinta de medir

**ADVERTENCIA:** Bajo ninguna circunstancia recomendamos exceder la capacidad de remolque del vehículo recomendada por el fabricante del vehículo de remolque.

**Aplicación opcional con perforación**



**Figura 1**

\*: Para fácil instalación use el perno de cabeza de botón (15) con la arandela plana (16) como se muestra arriba.

el artículo	cantidad	descripción	el artículo	cantidad	descripción
1	Cant. (4)	Perno hexagonal, 3/4" X 1-1/2"	9	Cant. (2)	Guía de perno, 1/2" (no se muestra)
2	Cant. (4)	Tuerca hexagonal, 3/4"	10	Cant. (2)	Bloque, 1/4" X 1.00" X 2.00" (orificio de ajuste)
3	Cant. (6)	Arandela plana, 3/4" (grande)	11	Cant. (8)	Bloque en forma de U
4	Cant. (4)	Arandela de bloqueo, 3/4"	12	Cant. (8)	Bloque, 1/4" X 1.50" X 2.00" (orificio de ajuste)
5	Cant. (2)	Perno de carruaje, 1/2"-13 X 1.50"	13	Cant. (12)	Arandela de bloqueo, 1/2"
6	Cant. (14)	Tuerca hexagonal, 1/2"	14	Cant. (2)	Arandela cónica dentada, 1/2"
7	Cant. (10)	Perno de carruaje, 1/2" X 2.00"	15	Cant. (2)	Perno cabeza de botón, 1/2" - 13 x 2.00", Gr. 6
8	Cant. (2)	Guía de perno, 3/4" (no se muestra)	16	Cant. (2)	Arandela plana, 1/2"

# Instrucciones de instalación

Números de partes:

## KIT DE MONTAJE PARA INSTALACIÓN RÁPIDA PERSONALIZADA

**50064**

### **Chevrolet/GMC 1500/2500/3500**

1. No instale los largueros de montaje sobre los forros plásticos de la base. Los forros plásticos de la base se deben quitar del camino para ofrecer contacto directo de metal a metal. Los largueros de montaje se pueden instalar en spray en los forros.
2. Use únicamente pernos, tuercas y arandelas suministradas para instalar este kit. Todos los pernos y las tuercas son grado 5 a menos que se especifique diferente.
3. Estas instrucciones son pautas únicamente, la instalación como tal es responsabilidad del instalador y del propietario. Siempre mida el vehículo y el remolque antes de instalar el enganche para verificar que haya espacio en la cabina y en el parachoques para permitir los giros.
4. **NO INSTALE ESTE PRODUCTO NI INTENTE REMOLCAR CON UN VEHÍCULO QUE TENGA UNA BASE INFERIOR A 6' DE LARGO A MENOS QUE SE HAYA INSTALADO UN ACOPLADOR DE CONECTORES SIDEWINDER EN EL REMOLQUE.**

#### **Aplicación opcional con perforación**

1. Baje y quite la llanta de repuesto. Quite el protector de calor del escape de la parte inferior del lado del pasajero del vehículo.
2. Coloque un larguero de montaje en la base del vehículo. Centre el larguero en el piso de la base del vehículo y use su cinta de medir para ubicar la distancia correcta desde el larguero hasta el borde posterior de la caja del vehículo como se ilustra en la página 9.
3. Use un perforador central para marcar los orificios en el larguero según la ilustración. Quite el larguero del camino y perforo cada posición con una broca de 1/8". **Nota: En el lado del conductor del vehículo el tanque de combustible se encuentra debajo de la base del vehículo. Al perforar los orificios a través de la base tenga cuidado de no dañar el tanque de combustible.**
4. Coloque temporalmente los soportes del bastidor en los lados del bastidor y revise que los orificios perforados de 1/8" se alineen con las ranuras en los soportes del bastidor. Retire los soportes del bastidor del vehículo.
5. Agrande los orificios perforados de 1/8" a 9/16" si está instalando el kit de largueros 58058. Agrande a 11/16" si usa el kit de largueros 30124.
6. Coloque los soportes del bastidor con los orificios 9/16" perforados en el paso 5 y usando los soportes del bastidor como plantilla, perforo un orificio de 1/2" a través del larguero del bastidor del vehículo y sujete los soportes del bastidor a los largueros del bastidor del vehículo como se muestra en la Figura 1.
7. Vuelva a colocar el larguero de montaje sobre los orificios en la base y sujete el larguero de montaje a los soportes del bastidor usando los pernos de carruaje que se suministran. Use los bloques en forma de U que se suministran entre el soporte del bastidor o largueros de montaje y la base del vehículo para asegurar un contacto directo de metal con metal.
8. Coloque los arcos de apoyo/deslizador/ganso de quinta rueda sin armar dentro del larguero de montaje ya instalado. Coloque el larguero de montaje posterior con los arcos de apoyo/deslizador/ganso insertando las lengüetas en el larguero de montaje y empujando el larguero de montaje firmemente hacia el otro larguero de montaje. Verifique que el larguero de montaje esté centrado en la base del vehículo. Esto posicionará al larguero en el lugar correcto y garantiza que la quinta rueda tenga un ajuste firme al vehículo. **Nota: Si se va a usar más de un enganche con los largueros de montaje entonces ambos tipos se deben usar al mismo tiempo para alinear el larguero de montaje posterior. Esto garantizará que un producto no comprometa el ajuste del otro.**
9. Repita los pasos de instalación 3, 5 y 7.
10. Empezando con los pernos de carruaje que sujetan los largueros y el soporte del bastidor, apriete todas las tuercas.  
Apriete los tornillos de 1/2" a 75 (pies-lb.) 102 (N\*m).  
Apriete los tornillos de 3/4 a 260 pies-lbs (353 N\*m)  
Apriete los pernos 5/8" Gr. 5 a 150 (pies.-lb.) 204 (N\*m)
11. Vuelva a instalar la llanta de repuesto.

# Instrucciones de instalación

Números de partes:

## KIT DE MONTAJE PARA INSTALACIÓN RÁPIDA

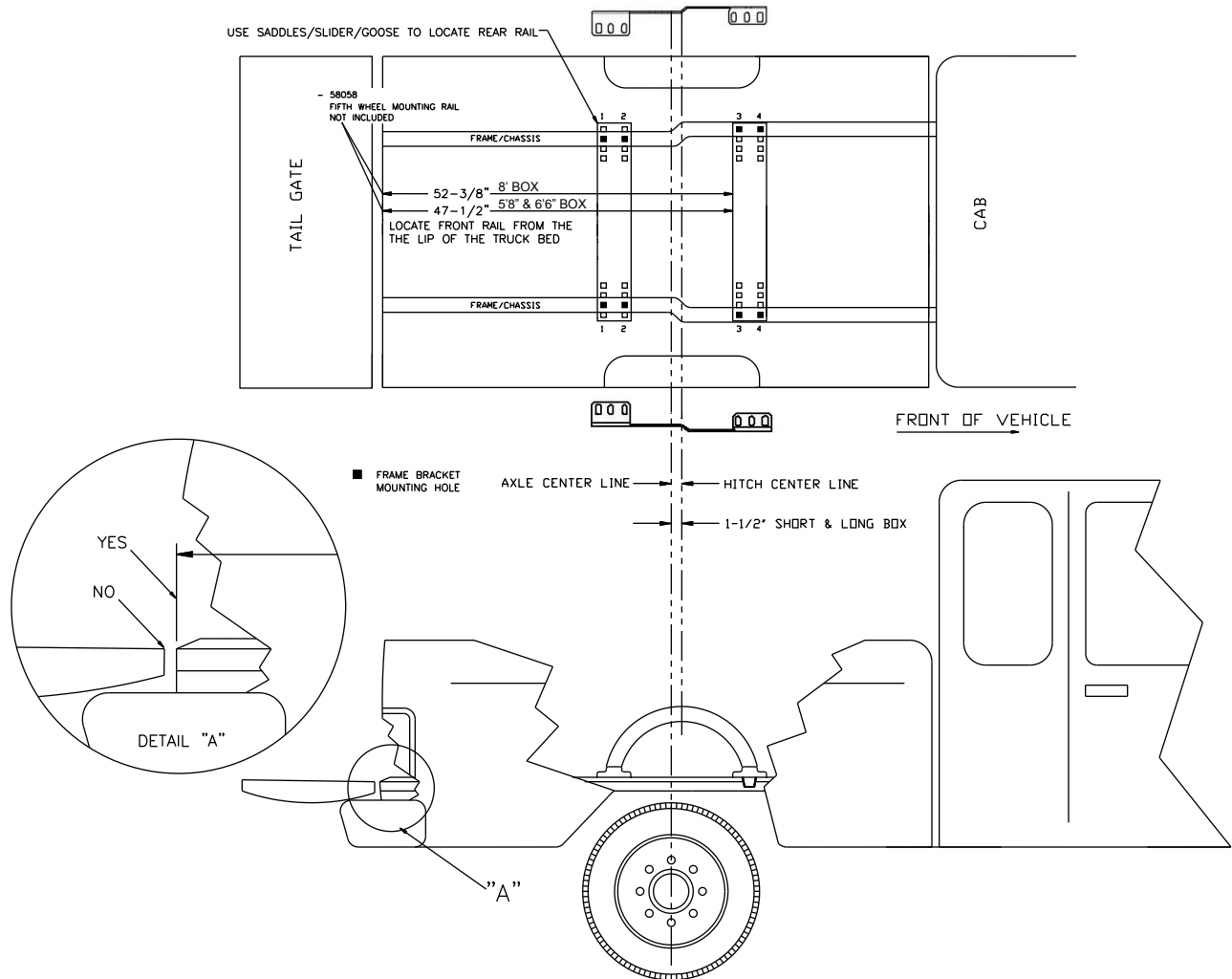
**50064**

### PERSONALIZADA

**Chevrolet/GMC 1500/2500/3500**

**Posición del larguero**

**58058**



# Instrucciones de instalación

Números de partes:

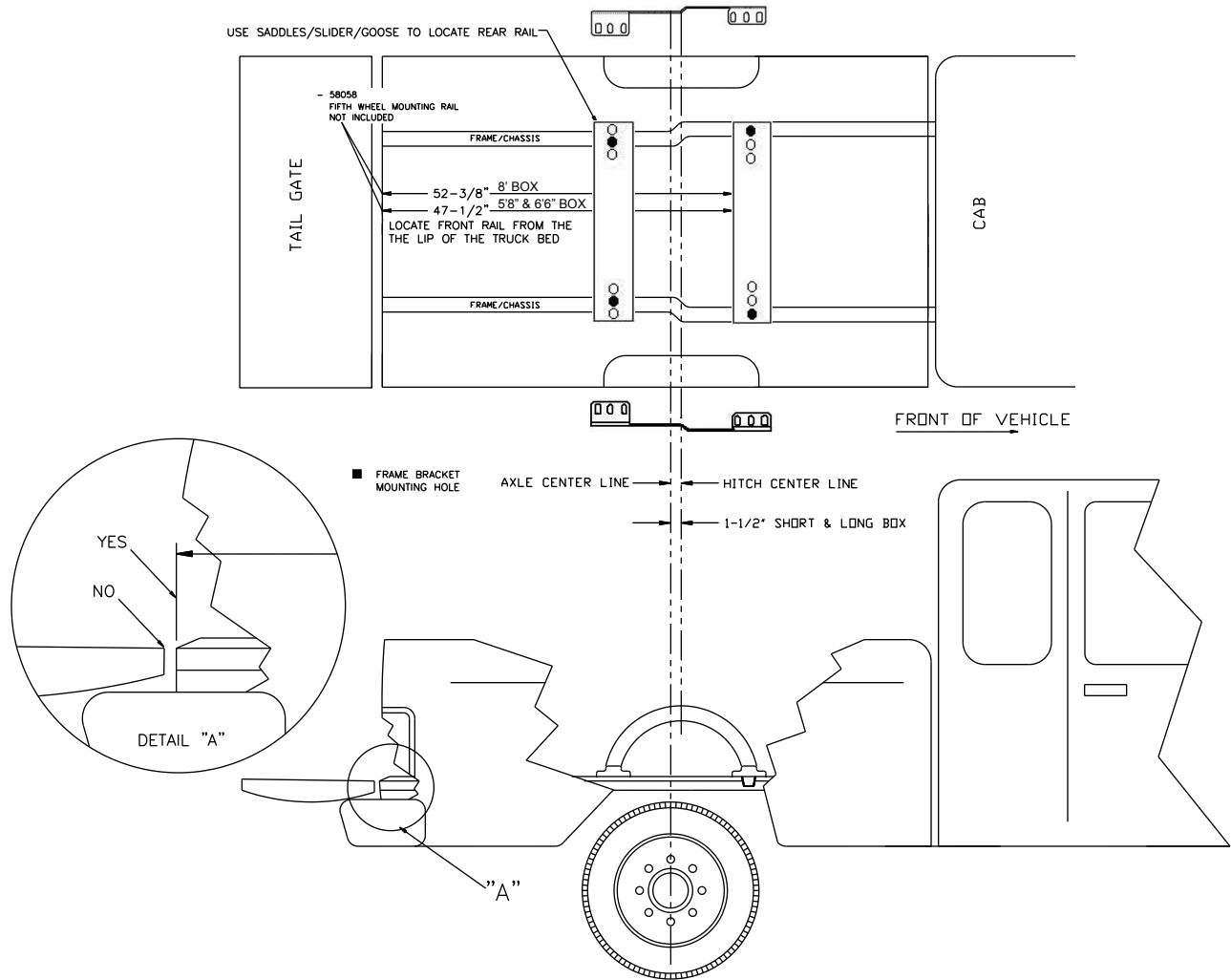
## KIT DE MONTAJE PARA INSTALACIÓN RÁPIDA

**50064**

### PERSONALIZADA

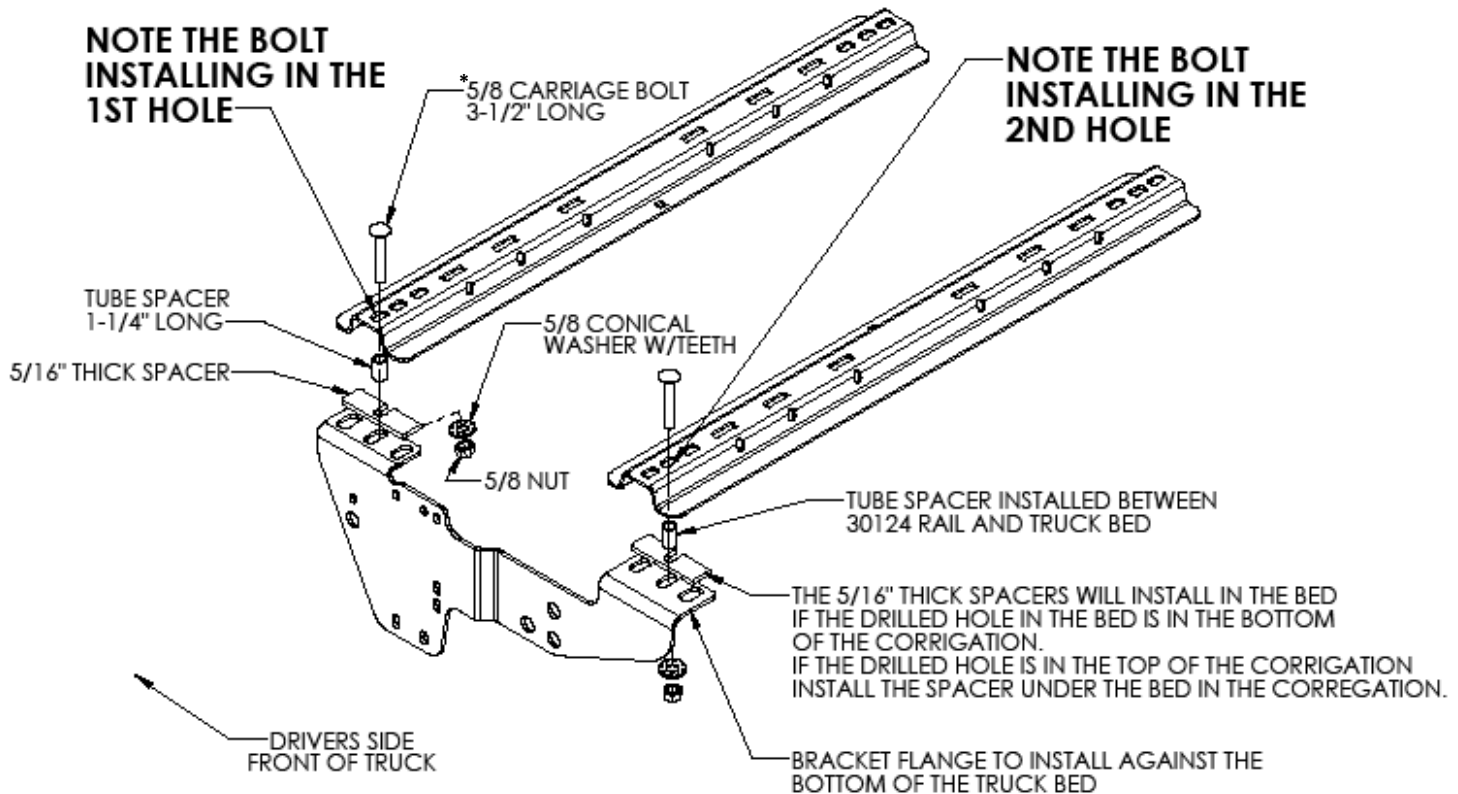
**Chevrolet/GMC 1500/2500/3500**

**Posición del larguero 30124**



# INSTRUCTIONS WHEN USING THE 30095 OR 30124 RAIL KIT WITH CHEVY / GMC 1500/2500/3500

HARDWARE AND INSTALLATION IS THE SAME FOR BOTH DRIVERS SIDE AND PASSENGERS SIDE.



- 1) See Previous pages on how to install brackets to the frame for your particular model vehicle.
- 2) See page 10 for rail placement
- 3) Torque the 1/2" fasteners to 75 (ft.-lb.) 102 (N\*M)  
Torque the 3/4" fasteners to 260 (ft.-lb.) 353 (N\*M)  
Torque 5/8 Gr. 5 bolts to 150 (ft.-lbs.) 204 (N\*m)

**\*FOR EASE OF INSTALLATION: 5/8" X 3-1/2" HEX BOLT CAN BE USED ALONG WITH A FLAT WASHER ABOVE THE RAIL IN PLACE OF THE 5/8" X 3-1/2" CARRIAGE BOLT (GRADE 5 OR HIGHER)**