

INSTALLATION INSTRUCTIONS

EQUIPMENT REQUIRED:

WIRING ACCESS LOCATION: PU1, PU2

DRILL BITS:

WRENCHES: (TIGHTEN ALL FASTENERS WITH TORQUE WRENCH) 3/4, 7/8

VEHICLE

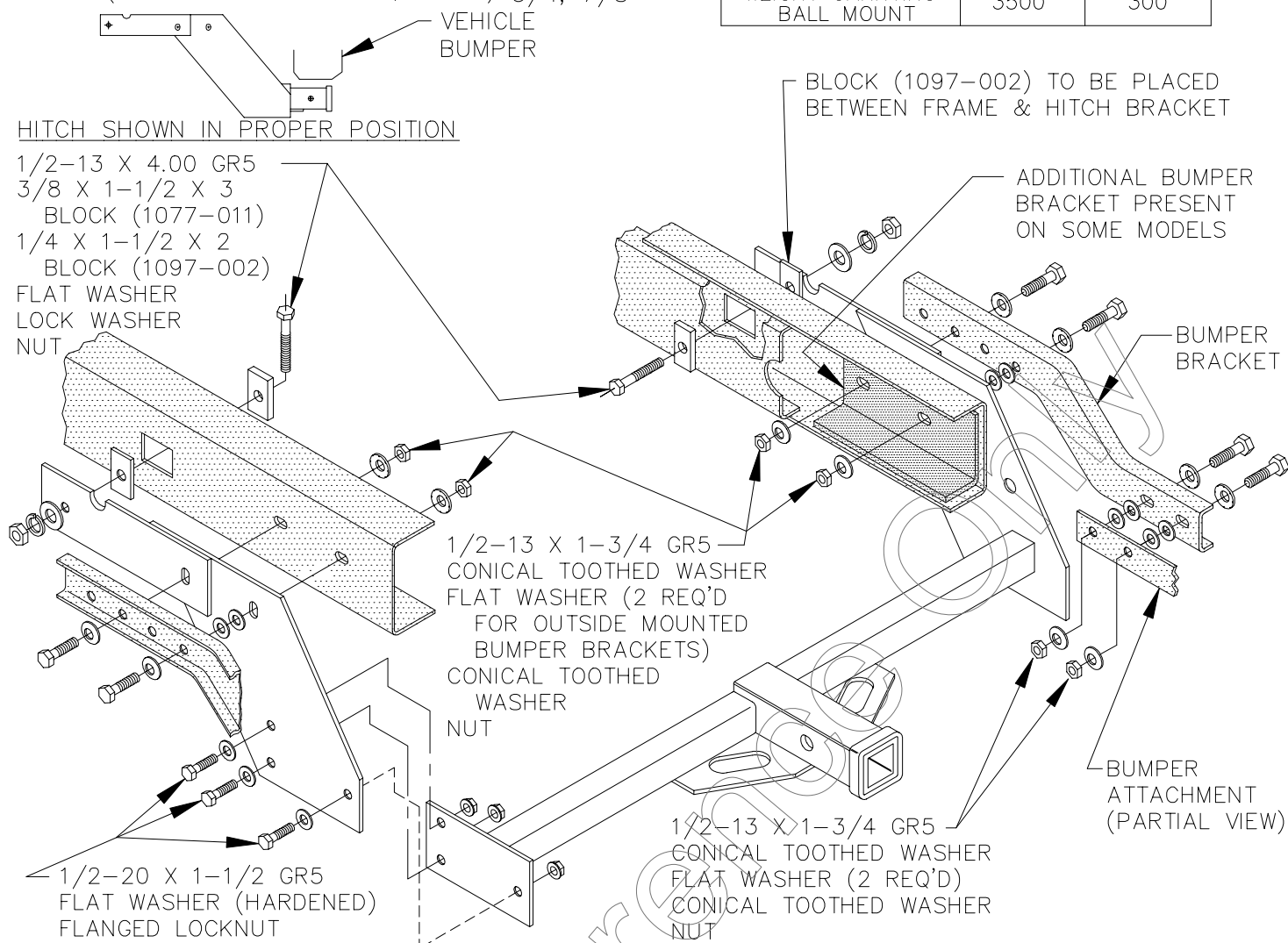
HITCH NO.

TOYOTA PICKUP

TC117

DO NOT EXCEED LOWER OF
TOWING VEHICLE MFR'S RATINGS OR

HITCH TYPE ▼	MAX GROSS TRLR WT(LB)	MAX TONGUE WT(LB)
WEIGHT DISTRIBUTING	5000	500
WEIGHT CARRYING BALL MOUNT	3500	300

VEHICLES WITH BUMPERS

1. REMOVE BUMPER FROM BRACKETS
2. REMOVE BRACKETS FROM FRAME.
3. REMOVE ALL BUT A THIN LAYER OF UNDERCOATING FROM ATTACHING SURFACES.
4. INSERT 1/2 X 4.00 GR5 HEX BOLTS AND 3/8 X 1-1/2 X 2 BLOCKS (1077-011) THRU FORWARD-MOST HOLES OF FRAME.
5. INSTALL 1/4 X 1-1/2 X 2 BLOCKS (1097-002) BETWEEN FRAME AND SIDE BRACKETS. POSITION DRIVER'S SIDE BRACKET.
6. POSITION CROSSTUBE/PASSENGER'S SIDE BRACKET ASSEMBLY. INSTALL 1/2-20 X 1-1/2 HEX BOLTS, 1/2 HARDENED FLAT WASHERS AND 1/2-20 FLANGED LOCKNUTS.

VEHICLES WITH BUMPER BRACKETS ON OUTSIDE OF FRAME

INSTALL BUMPER BRACKETS SO SIDE BRACKETS ARE SANDWICHED BETWEEN FRAME AND BUMPER BRACKETS. INSTALL FASTENERS AS SHOWN USING TWO (2) 1/2 FLAT WASHERS AS SPACERS ON REARMOST ATTACHMENT.

VEHICLES WITH BUMPER BRACKETS ON INSIDE OF FRAME

INSTALL BUMPER BRACKETS IN ORIGINAL POSITION WITH SIDE BRACKET POSITIONED ON OUTSIDE OF FRAME. INSTALL FASTENERS AS SHOWN.

VEHICLES WITH BUMPER BRACKETS ON INSIDE AND OUTSIDE OF FRAME

REVERSE INSIDE BUMPER BRACKETS (LEFT FOR RIGHT/RIGHT FOR LEFT) AND INSTALL ON OUTSIDE OF FRAME SO SIDE BRACKETS ARE SANDWICHED BETWEEN FRAME AND BUMPER BRACKETS. INSTALL FASTENERS AS SHOWN USING TWO (2) 1/2 FLAT WASHERS AS SPACERS ON REARMOST ATTACHMENT.

8. ATTACH BUMPER TO BRACKETS. INSTALL 1/2 X 1-3/4 GR5 BOLTS, CONICAL TOOTHED WASHERS AND NUTS AS SHOWN.

NOTE: VEHICLES WITH BUMPER BRACKETS ON OUTSIDE OF FRAME REQUIRE TWO (2) 1/2 FLAT WASHERS AT EACH ATTACHMENT AS SPACERS. VEHICLES WITH BUMPER BRACKETS ON INSIDE OF FRAME REQUIRE NO SPACERS.

TIGHTEN 1/2-13 COARSE GR5 FASTENERS TO 75 LB.-FT.

TIGHTEN 1/2-20 FINE GR5 FASTENERS TO 95 LB.-FT.

VEHICLES WITHOUT BUMPERS

1. REMOVE ALL BUT A THIN LAYER OF UNDERCOATING FROM ATTACHING SURFACES.
2. INSERT 1/2 X 4.00 GR5 HEX BOLTS AND 3/8 X 1-1/2 X 2 BLOCKS (1077-011) THRU FORWARD-MOST HOLES OF FRAME.
3. INSTALL 1/4 X 1-1/2 X 2 BLOCKS (1097-002) BETWEEN FRAME AND SIDE BRACKETS. POSITION DRIVER'S SIDE BRACKET.
4. POSITION CROSSTUBE/PASSENGER'S SIDE BRACKET ASSEMBLY. INSTALL 1/2-20 X 1-1/2 HEX BOLTS, 1/2 HARDENED FLAT WASHERS AND 1/2-20 FLANGED LOCKNUTS.
5. INSTALL REMAINING FASTENERS AS SHOWN.

TIGHTEN 1/2-13 COARSE GR5 FASTENERS TO 75 LB.-FT.

TIGHTEN 1/2-20 FINE GR5 FASTENERS TO 95 LB.-FT.

THIS PRODUCT COMPLIES WITH SAFETY SPECIFICATIONS AND REQUIREMENTS FOR CONNECTING DEVICES AND TOWING SYSTEMS OF THE STATE OF NEW YORK AND V.E.S.C. REGULATION V-5.

APPROX WEIGHT (LB.)	41.7	FASTENER KIT NO.	K51515
---------------------	------	------------------	--------

NOTE: Check hitch frequently, making sure all fasteners and ball are properly tightened. If hitch is removed, plug all holes in trunk pan or other body panels to prevent entry of water and exhaust fumes. A hitch or ball which has been damaged should be removed and replaced. Observe safety precautions when working beneath a vehicle and wear eye protection. Follow car maker's specs for maximum trailer weight and tongue weight. Do not cut access or attachment holes with a torch.

TC SERIES

FOR INSTALLATION ASSISTANCE
OR TECHNICAL HELP CALL

1-800-758-0869