

FRONT MOUNTED RECEIVER INSTALLATION INSTRUCTIONS

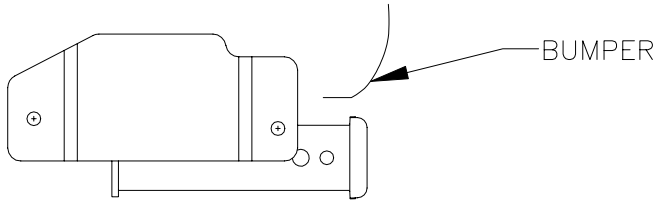
VEHICLE	RECEIVER NO.
F150 2WD F250 LIGHT DUTY 2WD	65006

EQUIPMENT REQUIRED: KNIFE

DRILL BITS:
HITCH REQUIRES 5/8" PIN AND CLIP IF STABILIZING PIN IS NOT INSTALLED.
WRENCHES: (TIGHTEN ALL FASTENERS WITH TORQUE WRENCH) 8mm, 7/8

CARGO CAPACITY – DO NOT EXCEED
500 LB. OR VEHICLE FRONT GROSS
AXLE WEIGHT RATING. (GAWR)

9000	LB. MAX. WINCH LINE PULL
------	--------------------------



RECEIVER SHOWN IN PROPER POSITION

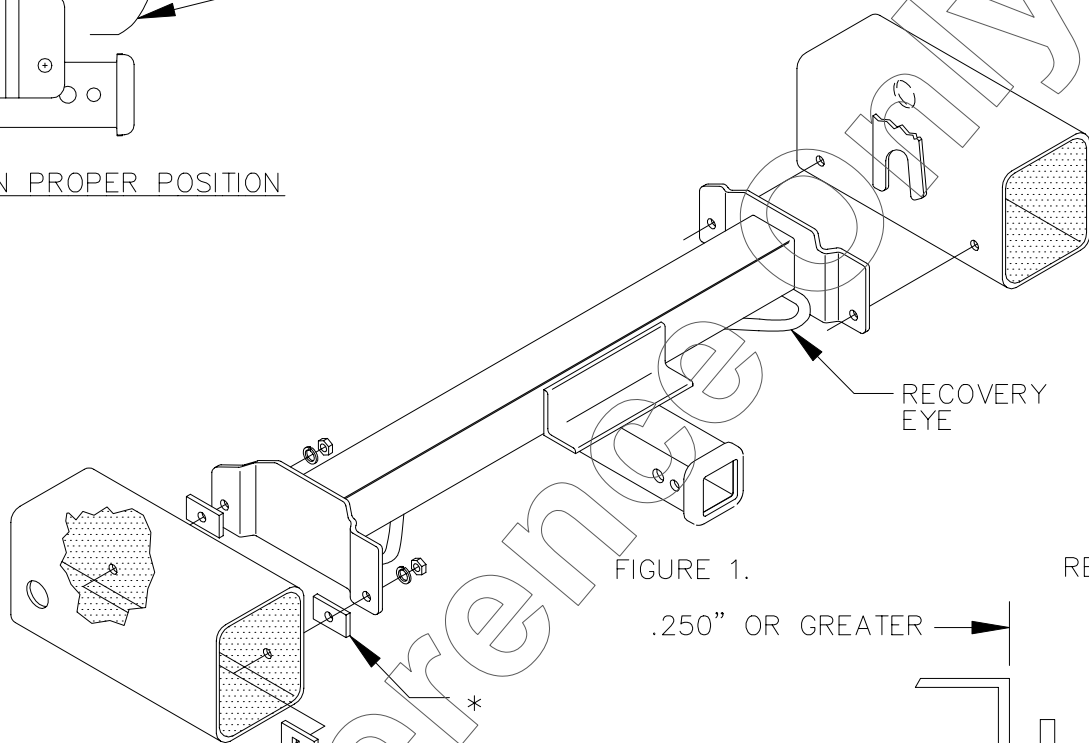


FIGURE 1.

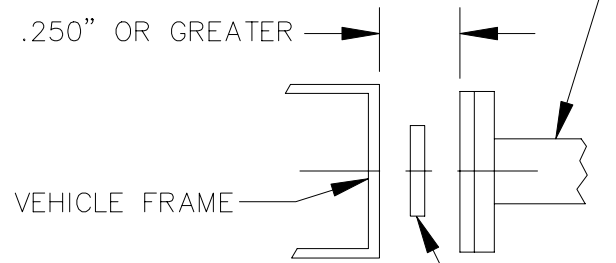
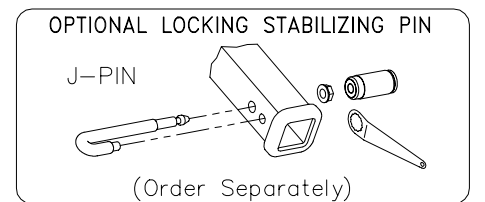


FIGURE 2.

- CARRIAGE BOLT
1/2-13 X 1.75 GR5
- BLOCK 1/4 X 1-1/2 X 3 (1171)
- BLOCK 1/4 X 1-1/2 X 3 (1097-007) *
- LOCK WASHER
- NUT



1. REMOVE LOWER FASCIA.
2. REMOVE RUBBER AIR DEFLECTOR BETWEEN BUMPER AND RADIATOR CROSSMEMBER. RETURN TO VEHICLE OWNER.
3. RAISE RECEIVER INTO POSITION.
4. FISHWIRE CARRIAGE BOLTS AND BLOCKS THROUGH FRAME AS SHOWN IN FIGURE 1.
- * 5. IF GAP BETWEEN RECEIVER SIDE BRACKET AND VEHICLE FRAME IS .250" OR GREATER, THEN INSTALL 1/4 X 1-1/2 X 3 (1097-007) BLOCKS AS NECESSARY. SEE FIGURE 2.
6. INSTALL REMAINING NUTS AND WASHERS.
7. IF DESIRED, TRIM AND REINSTALL LOWER FASCIA. CONSULT VEHICLE OWNER BEFORE TRIMMING.

TIGHTEN ALL 1/2 GR5 FASTENERS TO 75 LB-FT.

APPROX WEIGHT (LB.)	32	FASTENER KIT NO.	K65006
---------------------	----	------------------	--------

NOTE: Check receiver frequently, making sure all fasteners are properly tightened. A receiver which has been damaged should be removed and replaced. Observe safety precautions when working beneath a vehicle and wear eye protection.

WARNING: DO NOT CUT ACCESS OR ATTACHMENT HOLES WITH A TORCH.
DO NOT CUT, WELD, OR MODIFY RECEIVER.



Canton, Michigan
www.draw-tite.com