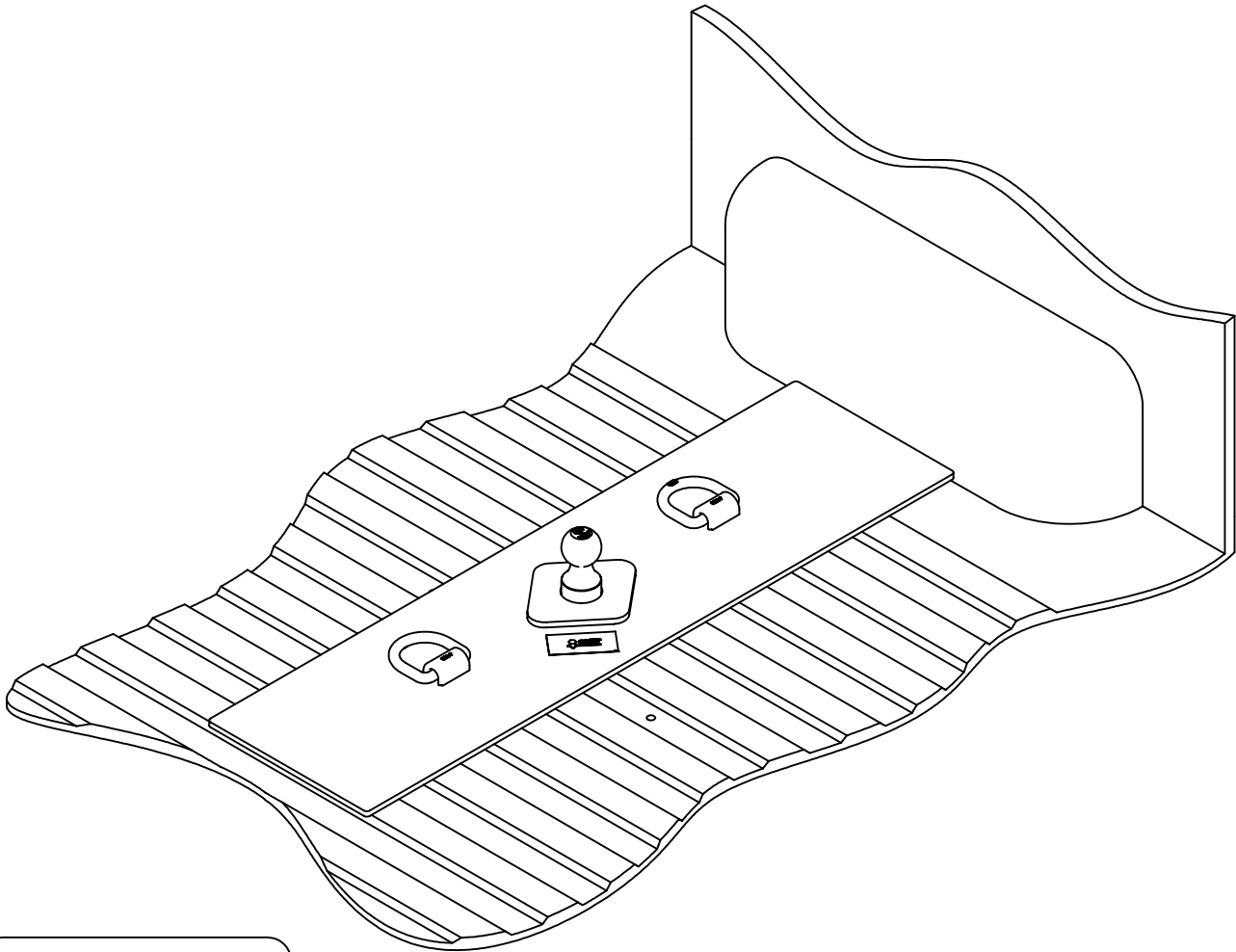


C-55

GOOSENECK FLAT PLATE

5/16/2008

GROSS LOAD CAPACITY WHEN USED AS A WEIGHT CARRYING HITCH: 30,000 LBS. TRAILER WEIGHT & 6,000 LBS. TONGUE WEIGHT.
*****DO NOT EXCEED VEHICLE MANUFACTURER'S RECOMMENDED TOWING CAPACITY.*****



HITCH WEIGHT: 71.2 LBS.

INSTALL TIME: 60 MINUTES

INSTALL NOTES:

DRILLING REQUIRED

INSTALLATION STEPS

1) The hitch must be centered between the sides of the truck and about 2"-6" in front of the rear axle for proper weight distribution.

2) (6) 5/8" grade 5 bolts are recommended to fasten plate to truck frame.

NOTE: - Shims should be used to accommodate corrugation in pickup bed.

- When exceeding 20,000 gross trailer weight, a bed floor support should be fabricated and installed to prevent the bed floor from collapsing.

- Hardware not included.

- Mounting holes must be drilled by installer.

PERIODICALLY CHECK THIS RECEIVER HITCH TO ENSURE THAT ALL FASTENERS ARE TIGHT AND THAT ALL STRUCTURAL COMPONENTS ARE SOUND.

Curt Manufacturing Inc., warrants this product to be free of defects in material and/or workmanship at the time of retail purchase by the original purchaser. If the product is found to be defective, Curt Manufacturing Inc., may repair or replace the product, at their option, when the product is returned, prepaid, with proof of purchase. Alteration to, misuse of, or improper installation of this product voids the warranty. Curt Manufacturing Inc.'s liability is limited to repair or replacement of products found to be defective, and specifically excludes liability for incidental or consequential loss or damage.