

INSTALLATION INSTRUCTIONS

Product No.

33040

75049

87500

ISUZU RODEO

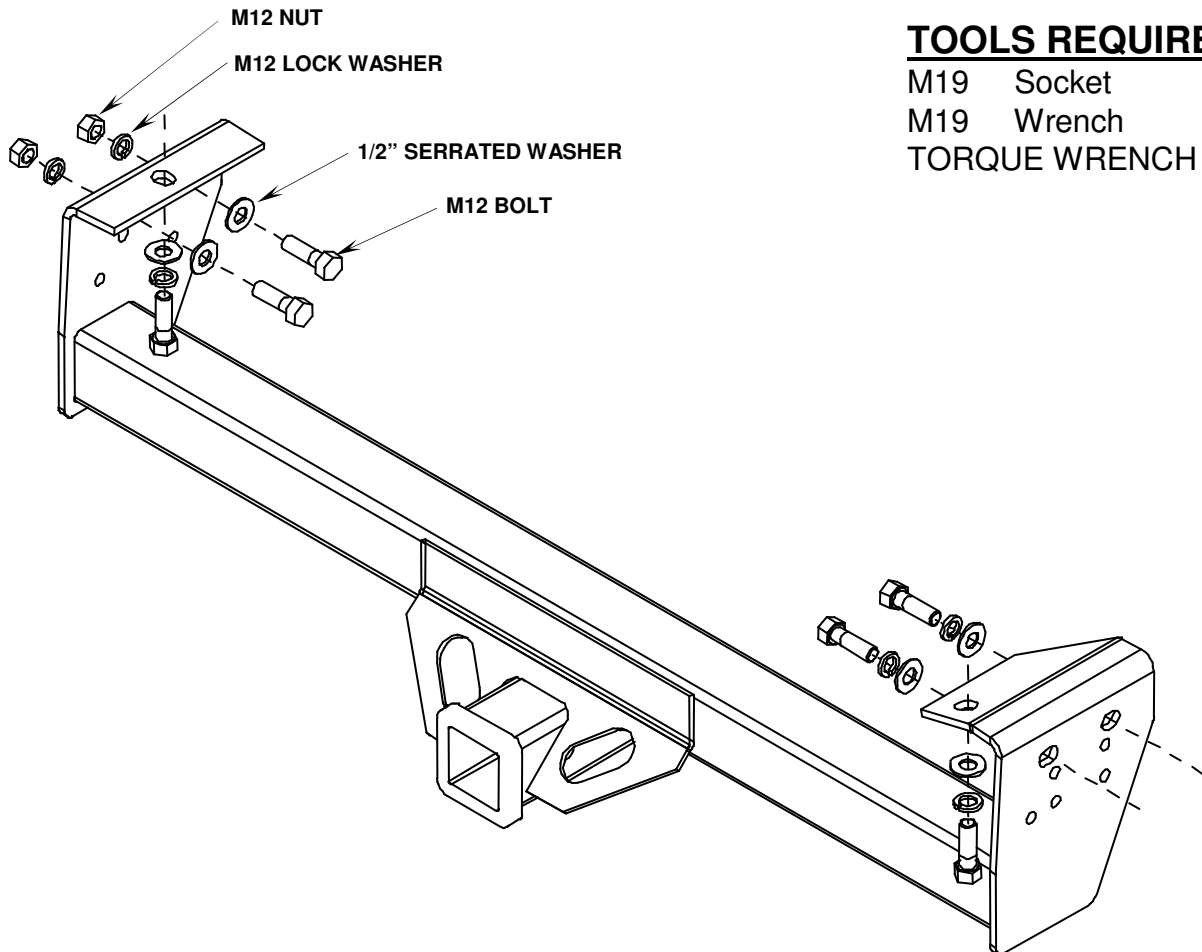
PLYMOUTH, MI

SMALL PARTS
PACKAGE 01130-867

TOWING PRODUCTS

WARNING: DO NOT LUBRICATE THREADS, BOLT FAILURE MAY OCCUR DUE TO OVER TIGHTENING.
WARNING: DO NOT DRILL OR WELD TO THIS HITCH.

IMPORTANT NOTES
USE ONLY TOWING PRODUCTS SUPPLIED OR APPROVED BOLTS, LOCKNUTS, AND WASHERS TO INSTALL THIS HITCH



TOOLS REQUIRED

M19 Socket
M19 Wrench
TORQUE WRENCH

1. Position hitch against frame rail and bumper bracket on left side and tiedown support on left side. Remove tiedown hook if it interferes with hitch.
2. Install two M12 bolts with lock washers and serrated washers through top flanges of hitch into existing weldnuts.
3. On drivers side install two M12 bolts with serrated washers from inside. Install M12 lock washers and nuts from outside.
4. On passenger side install two M12 bolts with lock washers and serrated washers into weld nuts in tiedown bracket.
5. Torque three M12 fasteners per side to 60 lb.ft.

(OVER)

For Installation Assistance or Technical Help, Call 1-574-537-6339

For Installation Assistance or Technical Help, Call 1-574-537-6339

THIS PRODUCT COMPLIES WITH SAFETY SPECIFICATION AND REQUIREMENTS FOR THE STATE OF NEW YORK AND VESC REGULATION V-5 FOR CONNECTING DEVICES AND TOWING SYSTEMS. WEIGHT CARRYING HITCH RATING IS 5000 LB MAX GROSS TRAILER WEIGHT AND 500 LB MAX TONGUE WEIGHT. CONSULT VEHICLE OWNERS MANUAL FOR TOWING RECOMMENDATIONS AND LIMITATIONS.

LIMITED WARRANTY

Towing Products warrants its Hitches, custom Hitch Receivers, and Sway Controls from date of purchase against defects in material and workmanship under normal use and service, ordinary wear and excepted, for the ownership life of the original consumer purchaser.

Towing Products will replace FREE OF CHARGE any part which proves defective in material or workmanship when presented to any Towing Products dealer, Towing Products Warehouse or return to factory. TRANSPORTATION CHARGES PREPAID, at the address below. THIS WARRANTY IS LIMITED TO DEFECTIVE PARTS REPLACEMENT ONLY. LABOR CHARGES AND/OR DAMAGE INCURRED IN INSTALLATION OR REPLACEMENT AS WELL AS INCIDENTAL AND CONSEQUENTIAL DAMAGES CONNECTED THEREWITH ARE EXCLUDED. Some states do not allow the exclusion or limitation of incidental or consequential damages, so the above limitation or exclusion may no apply to you. Any damage to the Hitch, Custom Hitch receiver or Sway Control as a result of misuse, abuse, neglect, accident, improper installation, or any use violative of instructions furnished by us, WILL VOID THE WARRANTY.

This warranty gives you specific legal rights, and you may also have other rights which vary from state to state. In the event of a problem Towing Products warrants its Hitches, Custom Hitch Receivers and Sway Controls from date of purchase against defects in material and workmanship under normal use and service, ordinary wear and tear excepted, for the ownership life of the original consumer purchaser. with warranty service or performance, you may be able to go to a small claims court, a state court, or a federal district court.

Towing Products
PO Box 8102
47774 Anchor Ct.
Plymouth, MI 48170

Towing Products
2351 Winston Park Drive
Oakville, Ontario
Canada L6H6R7