

# INSTALLATION INSTRUCTIONS

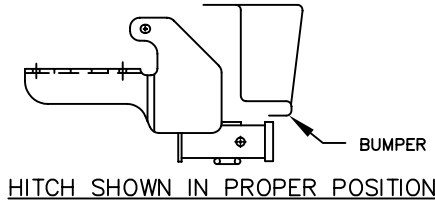
EQUIPMENT REQUIRED:  
**WIRING ACCESS LOCATION:** PU3, PU4  
**DRILL BITS:** 1/2

VEHICLE	HITCH NO.
DAKOTA PICKUP (ALL MODELS) SHORT BED AND LONG BED 2WD, 4WD	75073 87554

**WRENCHES:** (TIGHTEN ALL FASTENERS WITH TORQUE WRENCH) 1/2, 5/8, 11/16, 3/4, 18mm

DO NOT EXCEED LOWER OF TOWING VEHICLE MFR'S RATINGS OR

HITCH TYPE	MAX GROSS TRLR WT(LB)	MAX TONGUE WT(LB)
WEIGHT DISTRIBUTING	7500	750
WEIGHT CARRYING BALL MOUNT	5000	500



HITCH SHOWN IN PROPER POSITION

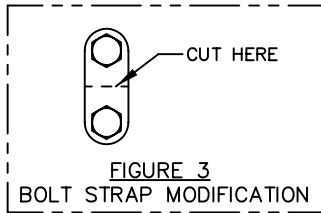


FIGURE 3  
BOLT STRAP MODIFICATION

1/2 X 1-3/4 GR5 CARRIAGE BOLT  
 BLOCK 1/4 X 1-1/2 X 2 (1540)  
 HARDENED FLAT WASHERS  
 LOCK WASHERS  
 NUT

1/2 X 1-3/4 GR5 CARRIAGE BOLT  
 BLOCK 1/4 X 1-1/2 X 2 (3719)  
 HARDENED FLAT WASHERS  
 LOCK WASHERS  
 NUT

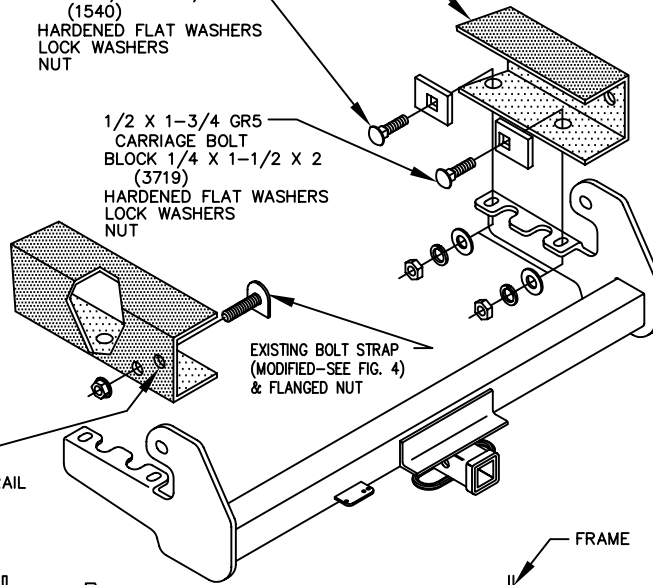


FIG. 1

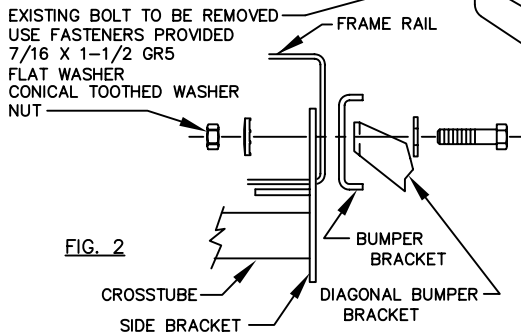


FIG. 2

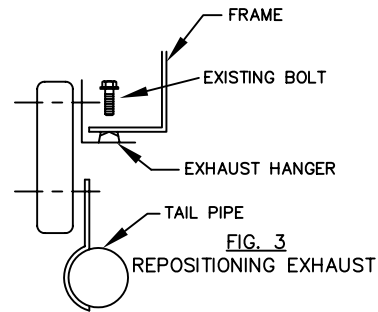


FIG. 3

- ON 2002 AND LATER 4-DOOR MODELS - REMOVE REAR MOST FASTENER FROM BOTTOM OF FRAME.
- REMOVE REAR MOST BOLT AT THE END OF THE FRAME (EACH SIDE).  
**NOTE:** ON SOME MODELS, THE TWO REAR MOST ATTACHMENTS HAVE TWO (2) BOLTS CONNECTED WITH A PLATE. THE BOLTS WILL HAVE TO BE SEPARATED (SEE FIG. 3), DISCARDING REAR MOST BOLT AND REINSTALLING THE OTHER AS SHOWN.
- POSITION HITCH ON VEHICLE AND INSTALL 7/16" FASTENERS AS SHOWN IN FIG.2.
- 95 AND EARLIER MODELS**  
 USING SIDE BRACKET AS A TEMPLATE, DRILL TWO HOLES (EACH SIDE) INTO BOTTOM OF FRAME RAIL, WITH 1/2" DRILL.  
**96 MODELS**  
 USING SIDE BRACKET AS TEMPLATE, DRILL FORWARD ATTACHMENT HOLE (EACH SIDE) INTO BOTTOM OF FRAME RAIL, WITH 1/2" DRILL.  
**97 MODELS**  
 ALIGN HITCH WITH EXISTING HOLES
- INSTALL REMAINING 1/2" FASTENERS AS SHOWN.  
 TIGHTEN 1/2 GR5 TO 75 LB.-FT  
 TIGHTEN 7/16 GR5 TO 50 LB.-FT  
**NOTE (96 AND EARLIER MODELS):** IF ADDITIONAL TAIL PIPE CLEARANCE IS REQUIRED, PERFORM THE FOLLOWING STEPS:
- REMOVE THE BOLT CONNECTING THE EXHAUST HANGER TO THE FRAME.
- REPOSITION THE EXHAUST HANGER AND REINSTALL BOLT (REMOVED IN STEP 6) AS SHOWN IN FIG. 3.

THIS PRODUCT COMPLIES WITH SAFETY SPECIFICATIONS AND REQUIREMENTS FOR CONNECTING DEVICES AND TOWING SYSTEMS OF THE STATE OF NEW YORK AND V.E.S.C. REGULATION V-5.

APPROX WEIGHT (LB.)	39	FASTENER KIT NO.	1130-986
---------------------	----	------------------	----------

**NOTE:** Check hitch frequently, making sure all fasteners and ball are properly tightened. If hitch is removed, plug all holes in trunk pan or other body panels to prevent entry of water and exhaust fumes. A hitch or ball which has been damaged should be removed and replaced. Observe safety precautions when working beneath a vehicle and wear eye protection. Follow car maker's specs for maximum trailer weight and tongue weight. Do not cut access or attachment holes with a torch.

TOWING PRODUCTS  
 Plymouth, Michigan

REV: B