

# RANCH HITCH ADAPTER | INSTALLATION MANUAL

FOR PART #3100 (STRAIGHT) & #3139 (8" OFFSET) · 24,000 LBS GTWR - 6,000 LBS TONGUE



**IMPORTANT! DEALER OR INSTALLER:** *Please make sure your customer receives this manual for safety tips, warranty, and future removal or installation information*

## Table of Contents

Important Safety Information .....	Page 2
Parts Illustration .....	Page 2
Tools Needed for Installation .....	Page 2
Section 1: Preparation .....	Page 3
Section 2: Installing the Base Unit .....	Page 3
Section 3: Attaching the Remote Latch Cable Bracket .....	Page 5
Section 4: Installing Quick Release & Hitch Hookup .....	Page 6
Warranty Information .....	Page 7

Want to see a video of the install?



Use your Smart Phone to scan the QR Code above and to go to our Installation Videos on the web.

## ! IMPORTANT INFORMATION !

### Read the entire manual before using the Ranch Hitch Adapter to tow.

Failure to follow all safety warnings could result in severe injury or even death. Read and understand the manufacturer's instructions for your trailer, tow vehicle and hitching equipment. Follow all safety warnings and setup instructions before installing your hitch.

### Before towing...

Before each trip—and regularly during a trip—check all hardware, bolts and nuts for wear and fatigue, and make sure that they are all properly tightened and secured in place. As with any 5th wheel hitch, there is a point beyond which every trailer will contact the tow vehicle. Each trailer is unique, so become familiar with your specific vehicle/trailer limitations. Use caution on your first towing experience with the Ranch Hitch Adapter. If you are feeling undue chucking, or if you feel significant surging when stopping or starting, additional reinforcing gussets may need to be positioned in or on your pin box.

### Pin Box Compatibility

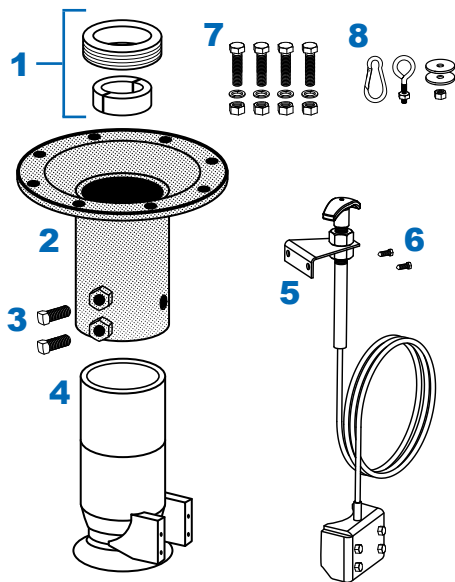
The Ranch Hitch Adapter is **NOT** recommended for cushioned or movable pin boxes, only on static pin box applications. If you have a cushioned pin box you may need the Ultimate 5th Wheel Connection instead. For inquiries, contact [customerservice@anderseninc.com](mailto:customerservice@anderseninc.com).

### Check for parts before installation

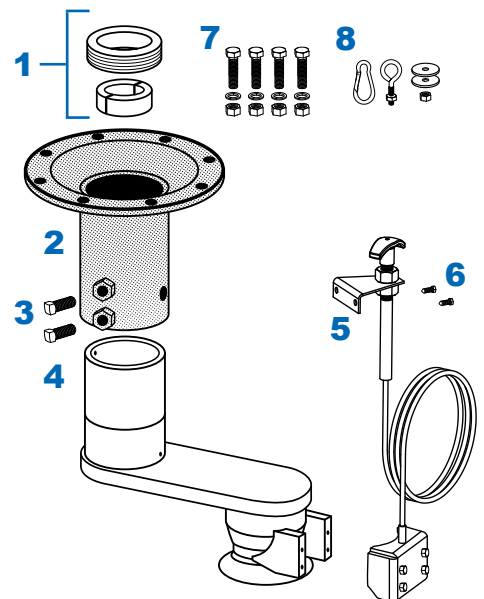
When you unpack your Ranch Hitch Adapter, compare it with the Parts List below. If any parts appear to be missing or damaged, DO NOT RETURN IT TO YOUR DEALER. Instead, contact us directly using the contact information below. If the packaging appears to be damaged, please include pictures of the packaging in your email. If you ever lose or damage any part of your Ranch Hitch Adapter, visit [AndersenHitches.com](http://AndersenHitches.com) or contact [customerservice@anderseninc.com](mailto:customerservice@anderseninc.com) for replacements.

## PARTS ILLUSTRATION – Ranch Hitch Adapter

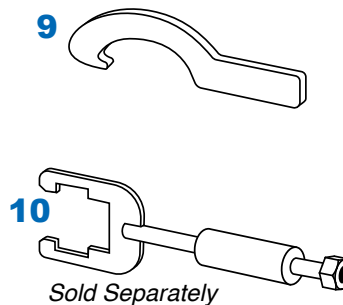
### Straight Adapter - Part #3100



### 8" Offset Adapter - Part #3139



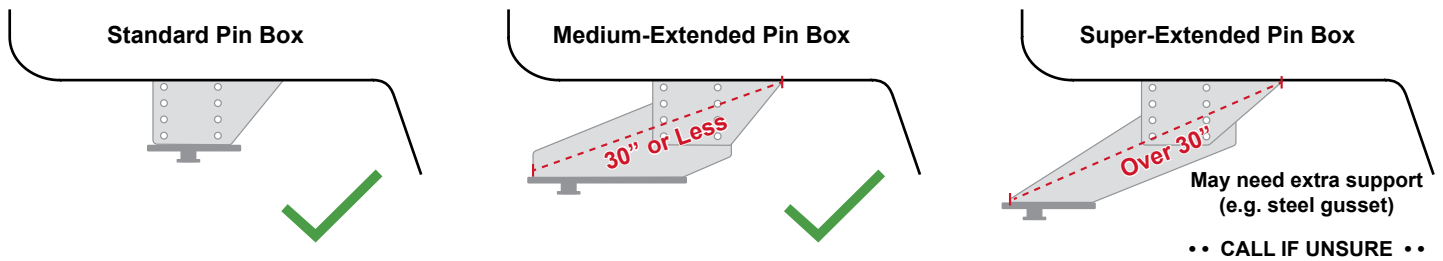
### Installation Tools



1. **Threaded Collar Assembly** (one threaded collar and two split collar halves) #3110
2. **Ranch Hitch Adapter Base** #3102
3. **Set Bolts** (2 pcs) #3107
4. **Ranch Hitch Stinger** (straight or 8" offset) #3101 or #3140
5. **Remote Cable Latch and Bracket** #3112
6. **Self Tapping Screws** (2 pcs) #3107
7. **3/4" Grade 8 Bolts** with washers and nuts (4 sets) #3107
8. **Safety Brake Cable Kit** (quick release snap, two 1/4" flat washers, two 1/4" nuts, 1 eye bolt) #3107
9. **Spanner Wrench** #3104
10. **Slide Hammer** (optional install tool, not included in kit) #3103

### Tools Needed for Installation

- Anti-Seize Grease
- Spanner Wrench (included)
- Slide Hammer or Gear Puller
- "Cheater Pipe" (1.25" IM, less than 4' long)
- Electric Drill with 9/16" drill bit
- 3/4" Socket for grade 8 bolts
- 5/16" Socket for self-tapping screws
- 3/4" Crowfoot Socket or Socket Adapter for set bolts
- Torque Wrench capable of at least 180 ft-lbs of torque



## SECTION 1 : PREPARATION

### Trailer Preparation

- Thoroughly inspect the trailer's pin box and frame for cracks or broken welds before installing the Ranch Hitch Adapter. Repair any problems before installation.
- On used trailers, inspect the king pin for wear and file any misshapen metal round again or the Ranch Hitch split collar will not install properly.
- If present, remove the plastic anti-friction plate as it is important that the Ranch Hitch adapter base be mounted directly to the metal of the pin box.
- Use your good judgment in determining that the Ranch Hitch Adapter and the Trailer will work together to achieve the desired results (e.g. the heavier a trailer is, the shorter or stouter your pin box should be).

**1-1.** Unpack the Ranch Hitch adapter box and make sure there are no missing parts by comparing items to the Parts List on page 2 in this manual. Note that the threaded collar is screwed into the black base at the factory to keep the threads from getting damaged in shipping. Contact Andersen's Customer Service Dept. If any parts are missing or damaged.

## SECTION 2: INSTALLING THE BASE UNIT

**2-1.** Liberally apply anti-seize grease to the split collets and threaded collar (shown right) and the trailer king pin. This will make removal easier if you ever find the need.

**NOTE:** The threaded collar and each split collet is stamped with an 'X' on the bottom. **When assembling, ensure that all 'X' marks point down because the threaded collar and split collets are tapered.**



**2-2.** With the marked 'X' pointing down on each piece, slide the threaded collar over the king pin and, while holding the collar up, place the split collets around the narrow neck of the king pin. Slide the threaded collar down over the split collets and pull tight.



**2-3.** Seat the threaded collar over the split collets with enough force that it does not slide up or spin when you thread the black base onto the threaded collar. You can accomplish this by using our Slide Hammer (sold separately, part # 3103) or a gear puller to lightly seat the threaded collar onto the split collets. If you are using a gear puller, one full turn from finger-tight is sufficient to seat the collar and collets.



**NOTE:** Our Slide Hammer makes both installation AND removal of the Andersen Ranch Hitch Adapter easier.

**2-4.** Apply anti-seize grease to the inner threads of the Ranch Hitch Adapter base. Thread it clockwise onto the seated collar, being careful not to cross-thread the base. Spin the base onto the collar — it should spin very easily — until the base contacts the bottom of the pin box. Inspect the base/pin box contact area and make sure the two touch each other without any gaps.

**2-5.** Locate the spanner wrench and “cheater pipe” (not to exceed 4 ft). Insert spanner wrench into the punched hole near the bottom of the base. Place cheater pipe over spanner wrench and tighten to about 400 ft-lbs torque (this will be about as much as two men can generate by pulling together on the end of your cheater pipe). This will finish seating the threaded collar onto the split collar and ensure a very strong grip on the king pin.

**2-6.** Locate the grade 8 bolts, lock washers and nuts. There are 8 holes drilled in the Ranch Hitch Adapter Base, but only four need to be used. You will be responsible to choose which 4 holes will be used to accept the Grade 8 Bolts. Try to evenly spread the load as much as possible. Take care to locate the bolts where they will not interfere with any gusseting that might be inside the pin box. Drill the four holes using a 9/16” drill bit. Insert the bolts into each hole and secure with a lock washer and nut. Tighten to 55 ft-lbs.

**NOTE:** Some pin boxes are enclosed and cannot be accessed for placement of the washers and nuts. In this case, or in any other application, the Grade 8 Bolts can be replaced by 4 one-inch tack welds placed by a certified welder. **Drilling and tapping the pin box metal to accept the grade 8 bolts will not offer sufficient strength and is not acceptable.**



2-4



2-5 A



2-5 B

≈ 400 ft-lbs



2-6 A



2-6 B

55 ft-lbs of torque

**2-7.** Place the stinger into the base and lightly tighten the set bolts enough to hold the stinger in place.

**IMPORTANT** The silver stinger tube has a scribed line about half way up the tube (See 2-7 B). This line must NOT be visible when the stinger is in its final or lowest adjustment position in the base or there will not be sufficient stinger material inside the base for the set bolts to engage.

**2-8.** Back the tow vehicle under the trailer and determine the necessary position of the stinger to ensure the trailer is level and the overshot has sufficient clearance from truck bed sideboards.

- If you are installing the #3100 Ranch Hitch Adapter, install it so the open end of the cable receiver points toward the pin box.
- If you are installing the #3139 8" offset Ranch Hitch Adapter, the extension needs to be carefully positioned parallel to the centerline of the trailer with the coupler closer to the cab of the tow vehicle.

When you have determined the final position of the Stinger, tighten the set bolts to 180 ft-lbs of torque.



2-7 A



2-7 B



2-8 A



2-8 B

## SECTION 3: ATTACHING THE REMOTE LATCH CABLE BRACKET

**NOTE:** We suggest installing the remote latch cable bracket at the back of the pin box brackets, as shown right. If this location does not work on your trailer, make sure that the latch cable bracket is installed securely and that the cable and bracket will not come in contact with the truck side rails.



**3-1.** Use a 5/16" socket to install the two self-tapping screws provided.

**IMPORTANT** The remote latch cable bracket should be installed so that the cable does not have any sharp turns or kinks in it. This allows the cable to operate correctly and prevents it from binding. For best results, we suggest installing the latch cable bracket on the opposite side of the pin box from where the cable enters the stinger.



3-1 B

**3-2.** Once installed, test the cable to ensure that the handle moves freely in and out. This will make sure that the pin attached to the kingpin coupler block is able to engage and disengage correctly.

### Using the remote latch cable:

**To engage,** simply turn the handle in either direction to unlock it, push the handle until it's all the way in and then turn it fully in either direction to lock in place.

**To disengage,** turn the handle to unlock it, pull the handle until it's all the way out and then turn it fully in either direction to lock in place.



## SECTION 4: INSTALLING QUICK RELEASE & HITCH HOOKUP

**4-1.** Most 5th wheel trailers are equipped with break-away brakes that need to be attached to your tow vehicle. A hardware package included with the Ranch Hitch Adapter can be used to create an attachment point. First, install the eye bolt into one of the tow vehicle's stake pockets — or location of your choice — using an existing hole or by drilling your own. Make sure you put a flat washer on each side of the hole. Place the quick release snap on the end of the break-away brake cable for easy connecting. (Do not forget to detach the cable when uncoupling the trailer from the tow vehicle.)



**4-2.** Make sure the Ranch Hitch Adapter coupler is open by twisting the T-handle in either direction and pulling it out. Couple the trailer and the tow vehicle together and engage the latch by pushing the T-handle in and turn it in either direction to lock it. Ensure the trailer and tow vehicle are fully coupled by lifting the trailer with its jack to assure the Ranch Hitch Adapter has locked onto the tow ball and the adapter doesn't slide off the ball. Then, connect the trailer break-away brake cable.



**❖ IMPORTANT** Because Andersen Manufacturing has no control over your trailers' pin box and frame construction, we would ask you to use caution on your first towing experience with the Ranch Hitch Adapter. Be aware of what your trailer is telling you. If you are feeling undue chucking, or if you feel significant surging when stopping or starting, additional reinforcing gussets may need to be positioned in or on your pin box. A good welder will be able to shore things up, and you will be safely on your way (see the support section of our website for sample). If you are unsure, please feel free to call us.

Some states require safety chains. Andersen offers heavy-duty Safety Chains (part #3109) that will fulfill this requirement.

# Warranty Registration and Validation

Ranch Hitch Adapter

To register your Ranch Hitch Adapter, simply visit

[www.AndersenHitches.com/register](http://www.AndersenHitches.com/register) and complete your registration online.



## Andersen Hitches Limited Warranty

**PLEASE RETAIN YOUR ORIGINAL BILL OF SALE AS YOU WILL NEED TO PRESENT IT SHOULD YOU REQUIRE SERVICE UNDER THIS WARRANTY.**

**LIMITED LIFETIME WARRANTY:** Andersen Manufacturing, Inc. (hereinafter referred to as "ANDERSEN") warrants specific Andersen brand products ("Products") purchased directly from Andersen or an Authorized Andersen Dealer, in accordance with the terms and conditions detailed herein for the periods indicated below.

**⊗ WARNING: IF YOU PURCHASE AN ANDERSEN PRODUCT FROM AN UNAUTHORIZED DEALER, YOUR ANDERSEN WARRANTY WILL NOT BE VALID.**

**SCOPE OF WARRANTY:** Commencing with the date of retail purchase and continuing for the periods specified in the Warranty Period table below, this Limited Warranty is extended to the original purchaser ("BUYER") only and warrants the Product against latent defects in materials and workmanship under normal use and service (rust, corrosion and ordinary wear and tear excepted) and is subject to the Exclusions and Limitations set forth below. A dated purchase receipt or bill of sale, or other proof of the purchase date, is required for Warranty service. If the Product is determined to be latently defective, ANDERSEN will, at its own discretion, replace or repair the Product and/or associated parts.

This Limited Warranty applies only to authentic Products manufactured and/or distributed by ANDERSEN. It does not apply to non-ANDERSEN supplied goods, even if they are packaged or sold with ANDERSEN branded Products or falsely identified as ANDERSEN Products. While some non-ANDERSEN supplied goods sold with an ANDERSEN Product may be covered by their own warranties, ANDERSEN, to the extent permitted by applicable law, provides such third-party products "AS IS".

**EXCLUSIONS and LIMITATIONS:** IF YOU PURCHASE AN ANDERSEN PRODUCT FROM AN UNAUTHORIZED DEALER, YOUR ANDERSEN WARRANTY WILL NOT BE VALID, please use our List of Authorized Dealers or our Authorized Dealer Locator.

BUYER is responsible for maintenance checks to the Product on a regular basis. It is also the responsibility of the BUYER to have the trailer braking system checked and maintained on a regular basis. Damages resulting from failure to perform these maintenance checks shall not be covered by this Warranty.

As the condition of trailers and vehicles used with the ANDERSEN Product is beyond ANDERSEN's control, ANDERSEN cannot and does not warrant or assume liability for damages incurred to trailers or vehicles during use of the Product.

ANDERSEN does not warrant against discontinuation of Product, defects in items or components not manufactured by ANDERSEN, or against damages resulting from use of such non-ANDERSEN made products or components. ANDERSEN passes on to BUYER the warranty it received (if any) from the maker of any non-ANDERSEN made products or components.

This Limited Warranty does not apply to any Product upon which repairs have been affected or attempted by persons other than those in possession of written authorization from ANDERSEN.

Additionally, this Limited Warranty does not apply with respect to any of the following:

1. Defects or damage resulting from improper installation, unauthorized alteration, unreasonable use, or improper maintenance including, but not limited to loading the Product beyond the Product's rated load capacity.
2. Defects or damage caused by an accident, sudden impact arising from a collision, or other abnormal occurrences.
3. Defects or damage caused by fire, smoke, flood, water damage, lightning, or other acts of nature/acts of God.
4. Defects or damage caused by abuse, misuse, negligence, accident, unauthorized product modification or service, or failure to observe the instructions contained in the manual furnished at the time of original purchase.
5. Damage caused during shipment or handling.
6. Products purchased from anyone other than ANDERSEN or an Authorized Andersen Dealer. If you are uncertain as to whether a dealer is authorized, please visit our List of Authorized Dealers or contact our Customer Service Department.
7. Products that have been altered or repaired by anyone other than ANDERSEN or an Andersen Authorized Dealer in a manner that has affected the product's performance, stability or reliability.
8. Any accessories or products attached to or used with ANDERSEN Products
9. Packing materials and cosmetic items like stickers.
10. Parts which have prescribed useful lives dependent upon the degree of their use, such as rubber pads, duffel bags, chemical products, etc.
11. Maintenance, cleaning or periodic check-ups.
12. Loss of keys to ANDERSEN's Stainless Steel Locking Pins.

THIS WARRANTY IS EXCLUSIVE. To the extent allowed by law, ANDERSEN shall not be liable for any incidental, consequential, or any other damages including, without limitation, breach of any implied warranty, merchantability, or fitness of the Product for a particular purpose. The sole and exclusive obligation of ANDERSEN shall be to repair or replace the defective Product in the manner stated above. ANDERSEN shall not have any other obligation with respect to the Product or any part thereof, whether based on contract, tort, strict liability, or otherwise. It is understood that the seller's liability, whether in contract, in tort, under any warranty, in negligence or otherwise, shall not exceed the return of the wholesale amount of the purchase price paid by the BUYER. Under no circumstances, whether based on this Limited Warranty or otherwise, shall ANDERSEN be liable for incidental, special, or consequential damages. The price stated for the Product is considered in limiting ANDERSEN's liability.

ANDERSEN's employees', representatives' or Dealers' ORAL OR WRITTEN STATEMENTS DO NOT CONSTITUTE WARRANTIES, shall not be relied upon by BUYER, and are not a part of the contract for sale or this limited warranty.

This warranty does not include labor charges nor does it include transportation charges for returning the Product to the consumer. Removal, shipping and installation of the replacement Product or replacement parts shall be at BUYER's expense.

**RANCH HITCH ADAPTER WARRANTY PERIOD** (from date of purchase): 1 Year

**OBTAINING WARRANTY SERVICE:** For warranty service and returns please visit our website and click on "Warranty" at the bottom of the page or call our customer service department at (208) 523-6460. Select warranty claims can be submitted digitally through the [help.andersenhitches.com](http://help.andersenhitches.com) website.

# ANDERSEN HITCHES



(208) 523-6460

3024 BOEING ST. IDAHO FALLS, ID 83401

ANDERSENHITCHES.COM

WATCH INSTALLATION VIDEO



Use your Smart Phone to scan the  
QR Code above to watch installation videos  
on [help.andersenhitches.com](http://help.andersenhitches.com).