



INSTALLATION MANUAL

B2991

Level of Difficulty

Easy

Installation difficulty levels are based on time and effort involved and may vary depending on the installer level of expertise, condition of the vehicle and proper tools and equipment.

Parts List

Qty	Description
1	Driver-side / left running board
1	Passenger-side / right running board
8	C-shape mounting plate

Tools Required

Ratchet	Torque wrench
Socket set	--

Torque Specifications

M8 bolt	7 ft-lbs.
---------	-----------

Use above torque setting unless otherwise noted

Product Photo



Maintenance

Mild automotive detergent may be used to clean the product. Do not use dish detergent, abrasive cleaners, abrasive pads, wire brushes or other similar products that may damage the finish.

Product Registration and Warranty

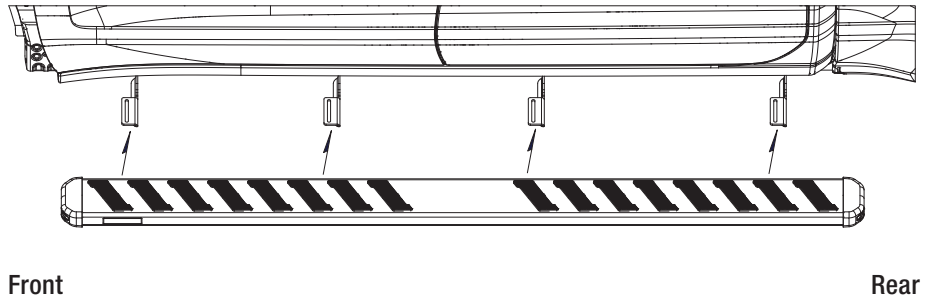
ARIES stands behind our products with industry-leading warranties. To get copies of the product warranties, register your purchase or provide feedback, visit: warranty.curtgroup.com/surveys

Step 1

Complete the steps outlined in the VersaTrac® mounting brackets installation manual to loosely secure them to the vehicle.

Note: Do not tighten the bracket hardware yet.

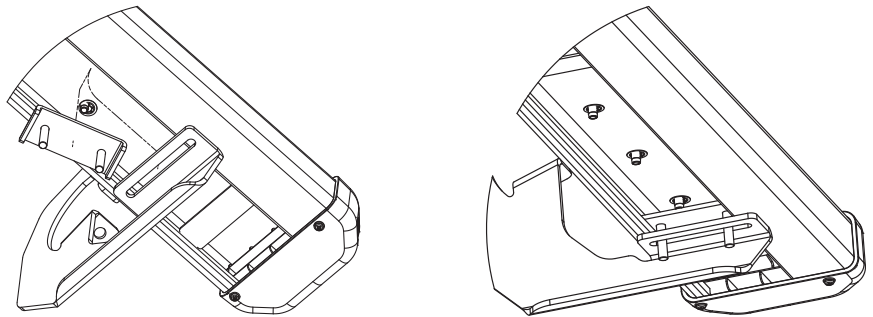
After loosely securing the brackets to the vehicle, carefully seat the running boards onto the brackets and move them to a suitable installation position centered on the vehicles rocker panel.



Step 2

Insert a C-shaped mounting plate into the opening on the bottom of the running board and rotate until it hooks over the flanges on the running board and the 8mm studs drop through the slot on the Versatrac bracket.

Note: The number of mounting brackets may vary based on application. Use one C-shaped mounting plate per bracket.



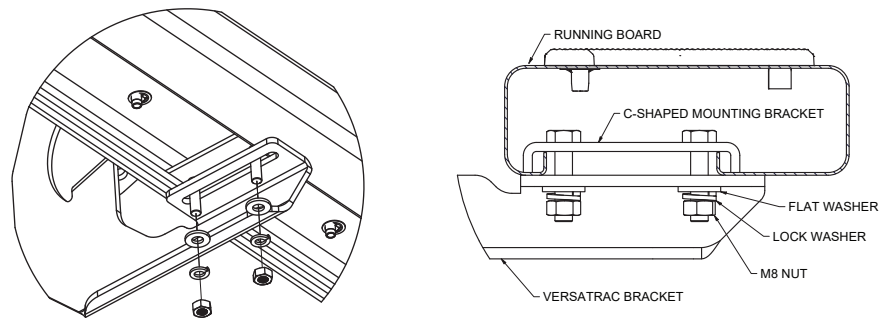
Step 3

Loosely secure the running board to the mounting brackets using two M8 hex nuts, two lock washers and two flat washers.

Note: Mounting hardware is supplied with the Versatrac bracket kit.

With the running board in the desired position, tighten the hardware securing the brackets to the vehicle first, then tighten the running board hardware the brackets.

Torque M8 hardware to 7 ft-lb.



Step 4

Repeat all steps for the passenger side of the vehicle.

Periodically inspect the running boards to ensure all mounting hardware remains secure.

To protect your investment, see 'Maintenance' on page 1 for cleaning recommendations.

