



Strong As An Ox™

1999NS-2007 Chevy & GMC Pickup 2500 Classic (2WD, 4WD Incl. Heavy Duty)

1999NS-2007 Chevy Pickup 3500 Classic (2WD, 4WD Incl. Heavy Duty)

2003-07 GMC Pickup 3500 Classic (2WD/4WD, Incl. Heavy Duty)

2001-06 Chevy Suburban 2500

Serial No.

2000-07 GMC Yukon 2500

The tow hooks are removed for baseplate installation. Some models may require the holes in the frame to be reamed slightly. No trimming is required. The BX8869 is available for the vehicle. Attachment Tabs are 32 1/4 inches center to center and a height of 16 1/2 inches.



1. Using the 18MM socket, remove the three metric bolts from tow hook, both sides, pull tow hook forward and set aside. **Tow hooks will not be reinstalled.**



2. Using the 2 1/32" drill bit, ream out the back existing hole on the bottom of frame rail. Slide the driver's side and passenger's side baseplates into the frame rail to align with the two existing holes on the side and two in the bottom of frame rail. Be sure that the proper baseplate is in the correct side (**see last page for correct hole placement for the bottom of frame on driver's side and passenger's side**). Insert the two 1/2-13 x 1 1/4" hex bolts and lock washers into the existing holes in the side of frame rail and tighten with the 3/4" socket, both sides. Align the convenience link to it corresponding side with the existing holes on the bottom of frame rails. Insert the 1/2-13 x 2" hex bolt and 1/2" lock washer into the front hole and tighten with the 3/4" socket, both sides. Insert 5/8-11 x 2" hex bolt and 5/8" lock washers into the back existing hole on the bottom of frame rail and tighten with the 15/16" socket, both sides. **Be sure and use loctite red on all bolts before tightening. Tighten all bolts according to Torque Chart in the General Instruction sheet.**



Strong As An Ox™



*Location for the
Bx8869 on driver's
side tail light assembly.*

3. *Some models may require the holes in frame to be reamed slightly to acquire proper fit.*
4. *The dimensional variations between otherwise identical cars can be considerable. While the baseplate was designed for easy installation, it may be necessary to tailor the baseplate slightly to compensate for auto manufactures' tolerances. These minor adjustments may include filing a holes slightly, bending electrical rods, adding shims and/ or bending endplates.*
5. *Install the tow bar and safety cables according to the instructions included in their packages.*
6. *Do **not** substitute other devices if the tow bar pin and clip are lost.*
7. **DEALER OR INSTALLER: BE CERTAIN THE USER RECEIVES THE INSTRUCTION SHEET.**

IMPORTANT: Use only genuine factory replacement parts on your Base Plate. Do not substitute homemade or nontypical parts. If a bolt is lost or in need of replacement, for your safety and the preservation of your Base Plate, be sure to use a replacement bolt of the same grade (Usually Grade 5, refer to parts list). Repair parts may be ordered through your nearest **Blue Ox** dealer or distributor.

© 2004, 06, 07, 09, 10 Blue Ox Division, Automatic Equipment Mfg. Co. • One Mill Road, Industrial Park • Pender, Nebraska 68047 • Phone 402-385-3051 • Fax 402-385-3360 • www.blueox.com



Tools Required

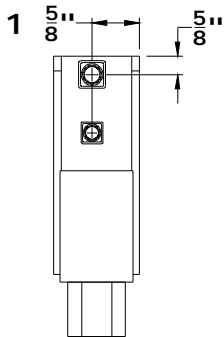
18MM Socket
Loctite Red

3/4" Socket
1/2" Reaming Tool

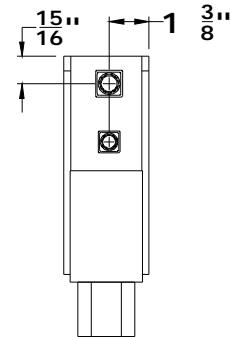
15/16" Socket

Parts List

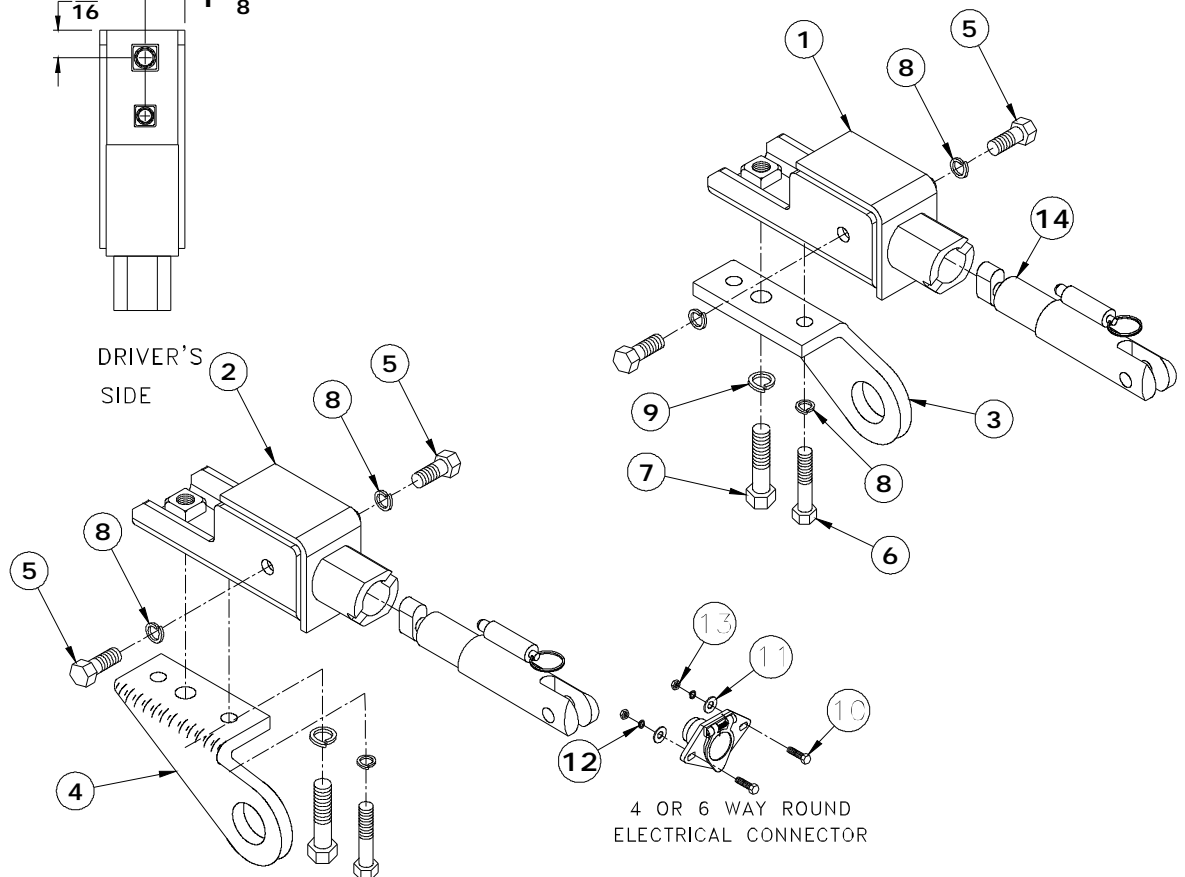
Ref. No.	Qty.	Part No.	Description
1	1	61-6095	Weldment, Base Plate, DS , BX1660
2	1	61-6096	Weldment, Base Plate, PS , BX1660
3	1	101-6058	Convenience Link, Class IV, DS
4	1	101-6059	Convenience Link, Class IV, PS
5	4	201-0011	1/2-13 x 1 1/4 Hex Bolt, Grd. 5, ZP
6	2	201-0283	1/2-13 x 2 Hex Bolt, Grd. 5, ZP
7	2	201-0351	5/8-11 x 2 Hex Bolt, Grd. 5, ZP
8	6	203-0012	1/2" Lock Washer, ZP
9	2	203-0013	5/8" Lock Washer, ZP
10	2	201-0071	1/4-20 x 1 Hex Bolt, Grd. 5, ZP
11	2	203-0001	1/4" Flat Washer, ZP
12	2	203-0008	1/4" Lock Washer, ZP
13	2	202-0001	1/4-20 Hex Nut, ZP
14	2	62-3468	Attachment, Assembly, SF/ SB (R)
2	2	226-0049	Baseplate Safety Cable, 36" CL IV (Not Shown)
4	4	229-0512	Quicklink, 1/2, ZP (Not Shown)
2	2	290-0437	Cap Plug, Black (Not Shown)



PASSENGER'S
SIDE



DRIVER'S
SIDE



4 OR 6 WAY ROUND
ELECTRICAL CONNECTOR