

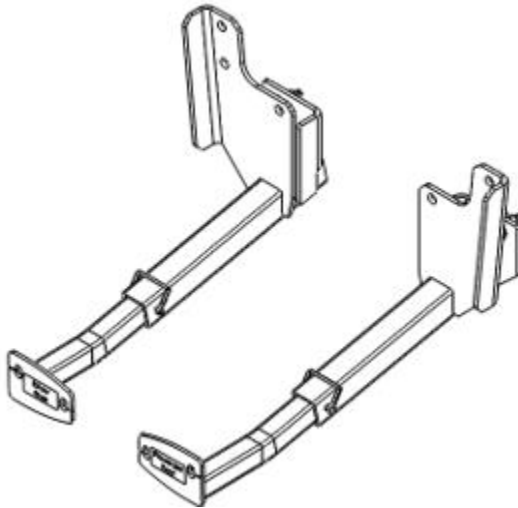


TORKLIFT

I N T E R N A T I O N A L

**OVER 40 YEARS OF INNOVATION, QUALITY, SAFETY.
IMPORTANT OWNER-OPERATOR INSTALLATION INSTRUCTIONS**

D3113



Version Number: 3, Date: 2/17/2022 By: JT

TECH SUPPORT (800) 246-8132

**AFTER INSTALL, PLEASE GIVE
THIS BOOKLET TO YOUR CUSTOMER**

Warnings

Truck Bed and Camper Protection

Torklift **does not** recommend installing your camper on top of a plastic bed liner (or other compressible material such as foam). These materials can act as a spring, causing increased vertical truck camper movement independent of the vehicle. Plastic bed liners can slide on the truck bed surface, and the truck camper can slide on top of the bed liner. Using a plastic bed liner or similar compressible material will void your warranty and may additionally cause truck bed and/or camper damage.

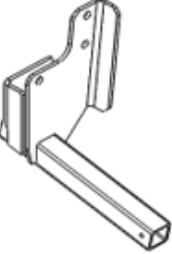
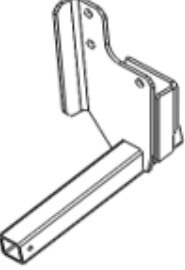
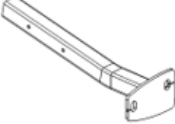
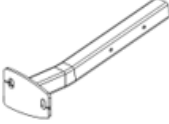
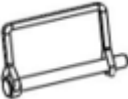



Minor movement or settling can occur in some incidental harsh driving conditions (on or off-road). A rubber bed mat is recommended to protect the truck bed and camper, but is not a requirement to maintain the Torklift legendary lifetime warranty.



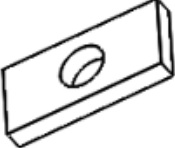


Suspension

To significantly reduce body roll, sag and sway Torklift strongly recommends the StableLoad. Torklift International StableLoads improve safety, handling, and to help level your truck. More information can be found at (www.Torklift.com/stableload).

If your truck is additionally equipped with suspension air bags Torklift cautions against over pressurization as this may lead to unsafe vehicle handling characteristics. We have found that airbags used in conjunction with StableLoads have allowed operators to lower air bag pressure by 50% or more. Only pressurize suspension air bags enough to level the truck.

Parts Inventory

Item Image	Item Description	Item #	QTY
	Passenger Side Receiver	D3113-W1-P	1
	Driver Side Receiver	D3113-W1-D	1
	Passenger Tie Down Insert – 17-7/8" – Bent	TD-INS-MS-W11L	1
	Driver Tie Down Insert – 17-7/8" – Bent	TD-INS-MS-W11R	1
	1/4" - Bail Pin	1452	2
	1/2"-13 x 2" - Hex Bolt - Grade 8	3659	2
	1/2"-13 - Hex Nut - Grade 8	1751	2
	1/2" - Lock washer	9302	2

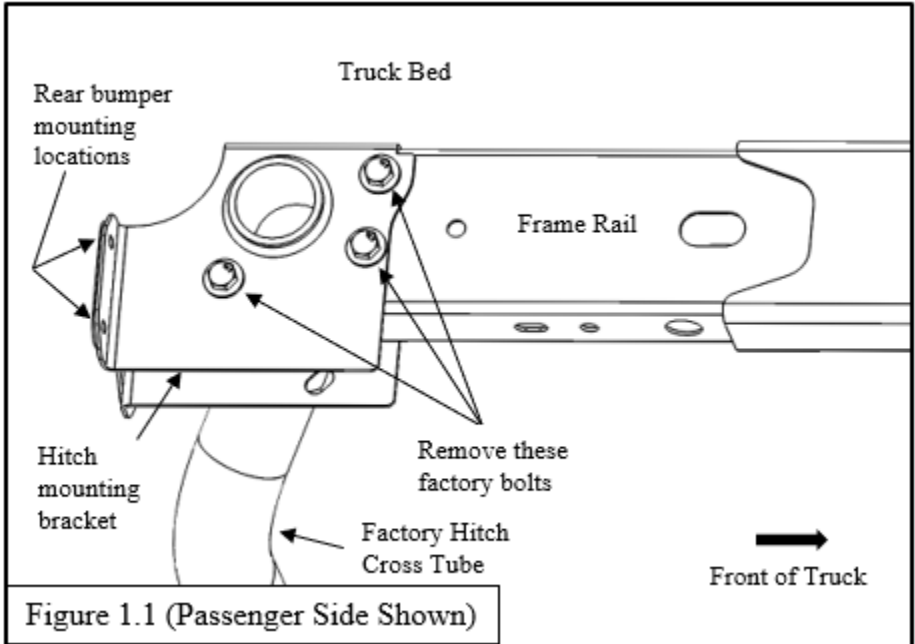
Item Image	Item Description	Item #	QTY
	1/2" - USS Flat Washer	6039	2
	1/2" - Star Washer	4566	2
	1/2" x 1" x 2" Plate Washer	10895	2
	Sticker - Driver Rear Bullet	4649	1
	Sticker - Passenger Rear Bullet	4650	1

Installation Notes:

Step 1

Locate the passenger hitch mounting bracket at the rear of the frame rail.

Remove the three factory hitch bolts as shown in Figure 1.1. **DO NOT DISCARD** the factory bolts. They will be reinstalled later.



Step 2

Slide the rear portion of the Passenger Side Receiver up between the inner and outer plates of the hitch mounting bracket. The taller plate on the Passenger Side Receiver will remain on the outside of the frame rail.

Reinstall the factory bolts through the Passenger Side Receiver and side mounting bracket as shown in Figure 2.1. Hand tighten the hardware.

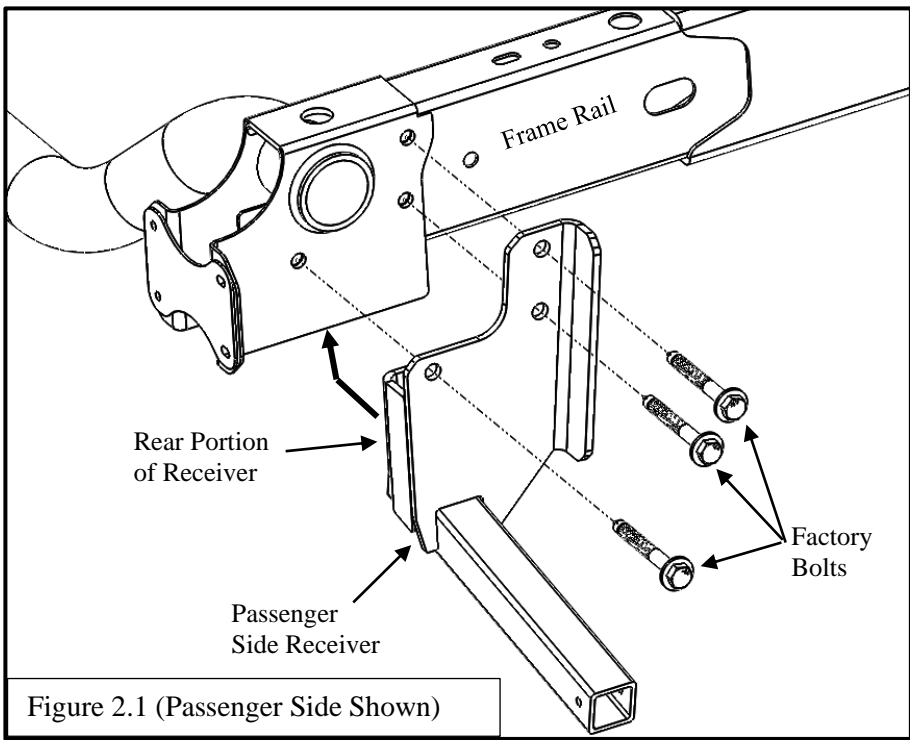
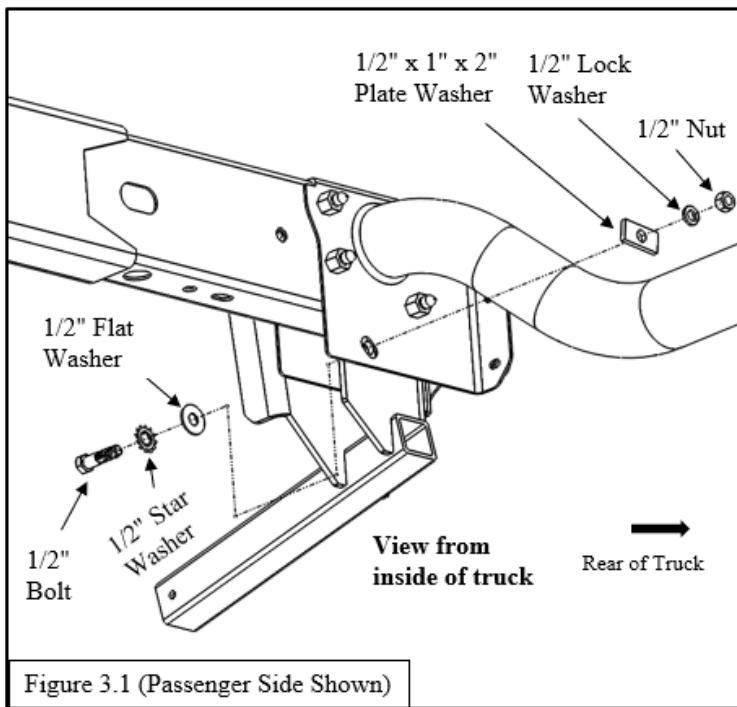


Figure 2.1 (Passenger Side Shown)

Step 3

Insert a 1/2"x2" bolt along with a 1/2" star washer and a 1/2" flat washer through rear bracket and the inner plate of the hitch mounting bracket.

Secure the bolt with a 1/2" x 1" x 2" Plate Washer, 1/2" lock washer, and a 1/2" nut. Hand tighten the hardware. See figure 3.1.



Step 4

Torque hardware before proceeding to the driver side.

Toque all the factory hardware to 200 ft-lbs.

Toque all the 1/2" hardware to 75 ft-lbs.

Step 5

Repeat Step 1 through Step 4 on the driver side of the vehicle.

IMPORTANT NOTE: Your tie down inserts are designed to have clearance inside of the receiver. This is to account for road debris, as well as aid in installation and removal. Some rattle may be expected if the inserts are left installed while not under load from the camper.

Installation is complete.

Torklift International Limited Lifetime

Warranty Information

322 Railroad Ave North, Kent, WA 98032

Torklift will require proof of purchase to register, with pictures of any defective product before issuing a replacement. Torklift will not register any product without proof of purchase, which can be faxed, scanned, emailed, or mailed to the information provided below. Torklift warrants its hitches, custom hitch receivers, frame mounted tie downs, turnbuckles, and accessories (excluding wire harnesses which carry a 90-day warranty) from date of purchase against defects in material and workmanship under normal use and service for the ownership life of the original consumer purchaser. All plastic, rubber, and/ or electrical components maintain a warranty of up to one year from the date of the purchase. **ALL COMMERCIAL APPLICATIONS ARE WARRANTED FOR A PERIOD OF 90 DAYS FROM THE DATE OF INSTALLATION/SERVICE.** Torklift will replace **FREE OF CHARGE** any part which proves defective in material or workmanship when presented to Torklift, **TRANSPORTATION CHARGES PREPAID** by purchaser, at the address above. **THIS WARRANTY IS LIMITED TO DEFECTIVE PARTS REPLACEMENT ONLY. LABOR CHARGES AND/OR DAMAGE INCURRED IN INSTALLATION OR REPLACEMENT, AS WELL AS INCIDENTAL AND CONSEQUENTIAL DAMAGES CONNECTED THEREWITH ARE EXCLUDED.** This warranty does not include the finish or paint on our products. Rusting, cracking or peeling of the finish is also excluded. Some states do not allow the exclusion or limitation of incidental or consequential damages, so the above limitation or exclusion may not apply to you. Any damage to Torklift products as a result of misuse, abuse, neglect, accident, improper installation or any use violation of instructions furnished by Torklift or **WHEN USED IN ANY COMMERCIAL APPLICATION WILL VOID THE WARRANTY.** This warranty gives you specific legal rights, and you may also have rights which vary from state to state. With warranty service, you may be able to go to a small claims court, a state court or a federal district court.



INTERNATIONAL

322 Railroad Ave North, Kent, WA 98032

Phone (800) 246-8132 Fax (253) 854-8003

Or visit our website: www.TorkLift.com

Dear Valued Customer,

Thank you for making TorkLift your choice for truck, camper packages and accessories for your vehicle. By choosing TorkLift products, you have chosen a company that has been serving the RV industry for nearly 40 years and whose name has become synonymous with strength, quality and advanced design and installation.

Please take a few moments of your time to complete the Product Registration Warranty Card on the next page. When registering your newly purchased TorkLift products, you can be assured that your contact information is secure and that you and your product are getting the attention and respect that you deserve.

Thank you again for choosing TorkLift quality products.

Register for your lifetime warranty and receive a free Torklift International gift.

To Fax: Send copies of the questionnaire, warranty card and receipt to
253-854-8003

To E-mail: Send copies of the questionnaire, warranty card and receipt to
warranty@torklift.com

To Mail: Send to Torklift International 322 Railroad Ave North, Kent, WA 98032



OFFICIAL WARRANTY REGISTRATION CARD

322 Railroad Ave North, Kent, Wa 98032

Please fill out this form completely and return to Torklift within 30 days of purchase accompanied by a copy of your original receipt

1. PART(S) PURCHASED

TODAY'S DATE: _____

PART#: _____ PART#: _____

PART#: _____ PART#: _____

PART#: _____ PART#: _____

2. PURCHASER INFORMATION

NAME: _____

ADDRESS: _____

CITY: _____ STATE: _____ ZIP / POSTAL CODE: _____

PHONE: (____) _____ - _____ EMAIL: _____

3. TRUCK INFORMATION

YEAR: _____ MAKE: _____

MODEL: _____ BED LENGTH: _____

4. CAMPER INFORMATION

YEAR: _____ MAKE: _____ MODEL: _____

5. DEALER INFORMATION

PURCHASED FROM: _____

ADDRESS: _____

CITY: _____ STATE: _____ ZIP / POSTAL: _____

INSTALLED BY: _____ OWNER ABOVE DEALER ANOTHER DEALER

IF ANOTHER DEALER, WHO: _____