



# **TORKLIFT**

## **I N T E R N A T I O N A L**

**OVER 35 YEARS OF INNOVATION, QUALITY, SAFETY.**

**- SUPER HITCH -  
SUPER TRUSS EXTENSION**

**IMPORTANT OWNER-OPERATOR INSTALLATION INSTRUCTIONS**

### **F1003-30**

**APPLICATION FITS  
F450/F550 CAB & CHASSIS**



**REVISED v11 BY: DSK 7/2/15**

**TECH SUPPORT (800) 246-8132**

**AFTER INSTALL, PLEASE GIVE  
THIS BOOKLET TO YOUR CUSTOMER**

# F1003M PARTS INVENTORY

**1-Plug Bracket**

**2-1/4"-20 x 1" Hex Bolt**

**2-1/4"-20 Hex Nut**

**8-1/2"-13 x 1-1/2" Rib neck Hex Bolt Grade 8**

**16-1/2"-13 x 2" Hex Bolt Grade 8**

**24-1/2" Lock Washer**

**2-5/16" Side Strap**

**2-SuperHitch Magnum Side Plat**

**1-4" Magnum Cross Tube with 2-1/2" Upper Receiver / 2" Lower Receiver**

**2- Hitch Pin and Clip**

**1- Magnum 2-1/2" to 2" Reducer Sleeve**

**2- 1/4" Lock Washer**

**4- 1/2"-13 x 1-1/2" Hex Bolt Grade 8**

**24- 1/2"-13 Hex Nut Grade 8**

**46-1/2" Washer**

**4- 1"(2cm) x 2"(5cm) Plate Washer**

*Note:* Modification to the spare tire hanger bracket may be necessary in installation of SuperHitch

*Note:* To aid in installation of SuperHitch fasteners and proper torqueing of the bolts, it may be necessary to remove the fuel tank shield and to loosen the fuel tank holding straps. This will allow for the fuel tank to be maneuvered side to side for clearance when drilling, installing, and tightening bolts.

## INSTALLATION INSTRUCTIONS

Step 1- *Section A*) Take inventory and review instructions prior to installation. (*Photo 1.1*) Starting on the Driver's side of the vehicle, locate the oval hole in the frame just behind the fuel filler hose. (*Photo 1.2*) Take one **1/2"-13 x 2" Hex Bolt Grade 8**, along with one **1"(2cm) x 2"(5cm) Plate Washer** and place from the inside of the frame and out through the oval hole behind the fuel filler hose. Take the **5/16" Side Strap** and position it so the two holes are on the bottom of the bracket, with the single notch facing towards the front and the two notches face to the rear of the vehicle. Slide the **5/16" Side Strap** over the previously installed fasteners on the outside of the frame. Place two **1/2" Washer**, one **1/2" Lock Washer** and one **1/2"-13 Hex Nut Grade 8** over the **5/16" Side Strap**. Hand Tighten. (*Photo 1.3*) Next, Take one **1/2"-13 x 2" Hex Bolt Grade 8**, along with one **1"(2cm) x 2"(5cm) Plate Washer** and place from the inside of the frame and out through the oval hole just in front of the spring hanger bracket. Align the **SuperHitch Magnum Side Plate** with the frame and previously installed fasteners installed to the front of the spring hanger bracket. Place one **1/2" Washer**, one **1/2" Lock Washer** and one **1/2"-13 Hex Nut Grade 8** over the **SuperHitch Magnum Side Plate**. Hand tighten.

*Section B*) Swing the rear section of the **SuperHitch Magnum Side Plate** under the frame and mark

the four holes on the frame. Drill out the previously marked holes on the bottom of the frame using a 1/2" or 9/16" drill bit. Slide the **SuperHitch Magnum Side Plate** back into position and under the frame. Align the **5/16" Side Strap's** two holes with the two holes on the side of the **SuperHitch Magnum Side Plate**. From the inside of the **SuperHitch Magnum Side Plate** going outwards, place one **1/2"-13 x 1-1/2" Hex Bolt Grade 8** and one **1/2" Washer** through both holes. On the outside of the **5/16" Side Strap**, place one **1/2" Washer**, one **1/2" Lock Washer** and one **1/2"-13 Hex Nut Grade 8** onto the previously installed fasteners. Hand Tighten. (*Photo 1.4, 1.5 & 1.6*)

Step 2-

Take one **1/2"-13 x 2" Hex Bolt Grade 8** and two **1/2" Washer** into each of the holes previously drilled in the frame and out the **SuperHitch Magnum Side Plate**. Place two **1/2" Washer**, one **1/2" Lock Washer** and one **1/2"-13 Hex Nut Grade 8** over the bottom of the **SuperHitch Magnum Side Plate**. Hand Tighten. Repeat Steps 1 & 2 on the opposite frame rail.

Step 3-

Lift the **4" Magnum Cross Tube with 2-1/2" Upper Receiver / 2" Lower Receiver** and slide into the 4" square hole on the **SuperHitch Magnum Side Plate**. Position the **4" Magnum Cross Tube with 2-1/2" Upper Receiver / 2" Lower Receiver** so that the Safety Chain Plate is located on the bottom of the Cross Tube.

Step 4-

Install **1/2"-13 x 1-1/2" Rib neck Hex Bolt Grade 8** through the **4" Magnum Cross-Tube with 2-1/2" Upper Receiver / 2" Lower Receiver** and the **SuperHitch Magnum Side Plate** so that the threads are facing outward. (When installing the **1/2"-13 x 1-1/2" Rib neck Hex Bolt Grade 8**, use a mallet or hammer and a block of wood to seat the bolt heads against the **SuperHitch Magnum Side Plate**. DO NOT use power tools or hand tools to draw the **1/2"-13 x 1-1/2" Rib neck Hex Bolt Grade 8** through the holes in the **SuperHitch Magnum Side Plate**. To simplify seating the **1/2"-13 x 1-1/2" Rib neck Hex Bolt Grade 8**, use vise grips to clamp the **4" Magnum Cross Tube with 2-1/2" Upper Receiver / 2" Lower Receiver** to the **SuperHitch Magnum Side Plate** and snug the bolts in the trucks frame. This will minimize movement and ease this process). Now attach a **1/2" Lock Washer** and **1/2"-13 Hex Nut Grade 8** to each of the **1/2"-13 x 1-1/2" Rib neck Hex Bolt Grade 8** and leave hand tight until both sides of the **4" Magnum Cross Tube with 2-1/2" Upper Receiver / 2" Lower Receiver** are attached to the **SuperHitch Magnum Side Plate**. You may now tighten all of the fasteners on the **SuperHitch Magnum Side Plate** followed by the fasteners attaching the **4" Magnum Cross Tube with 2-1/2" Upper Receiver / 2" Lower Receiver**. Tighten all Grade 8 bolts to 75 ft. lbs.(101nm), **1/2"-13 x 1-1/2" Rib neck Hex Bolt Grade 8** to 75 ft. lbs.(101nm) (*Photo 4.1 & 4.2*)

\*\*The 1/4" fasteners included are used to install the plug bracket to the SuperHitch.

Photo 1.1

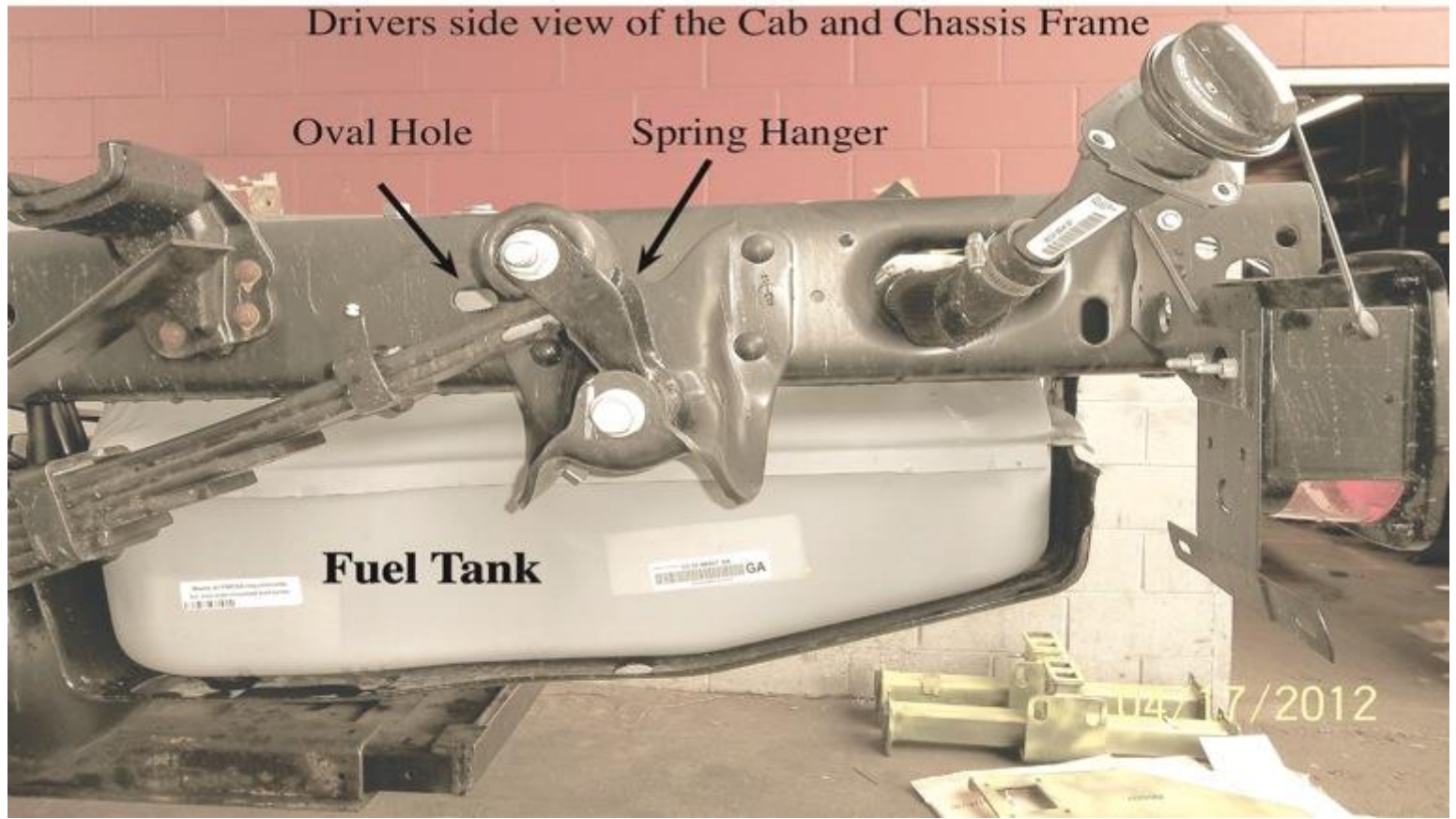


Photo 1.2

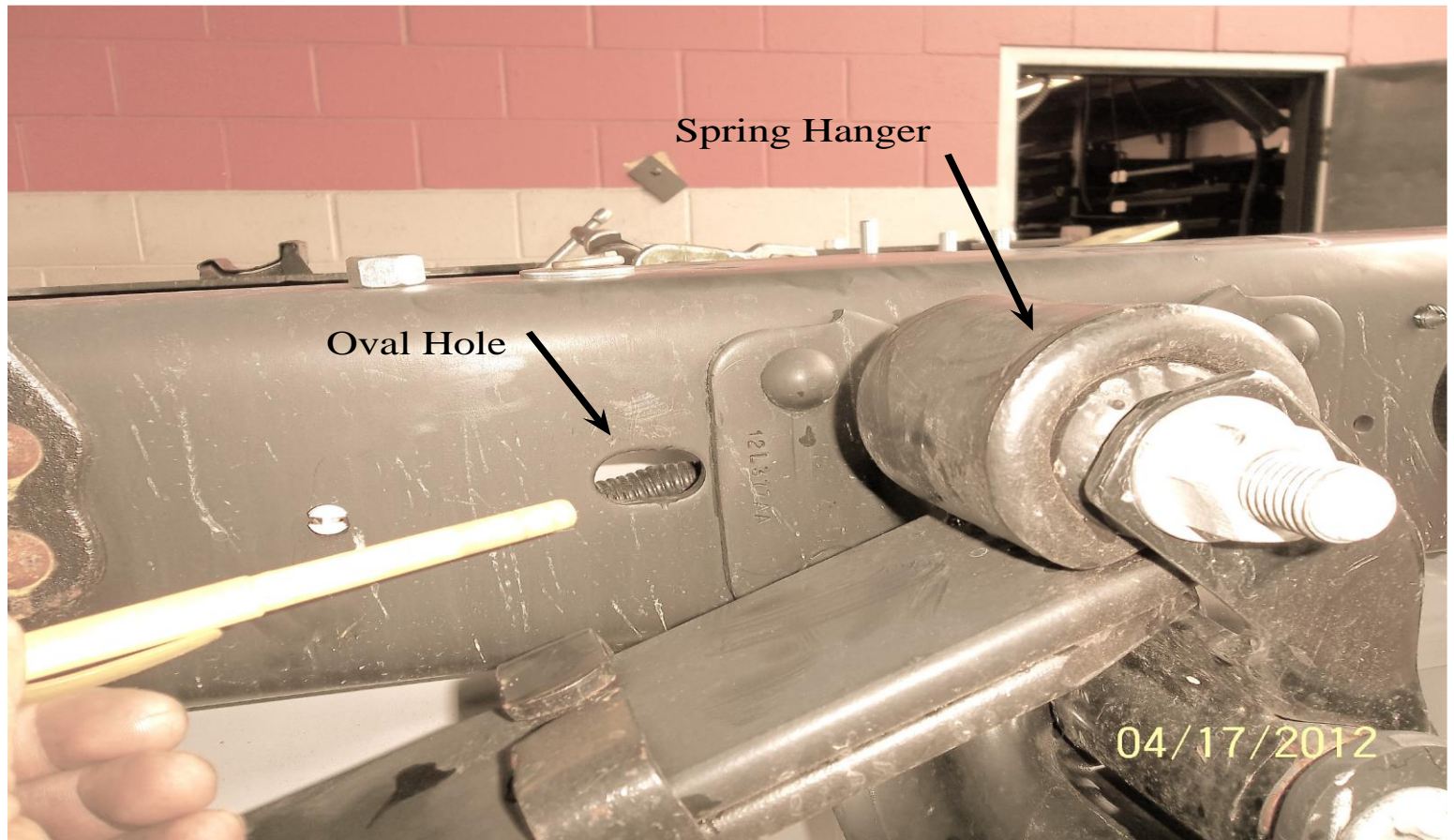


Photo 1.3

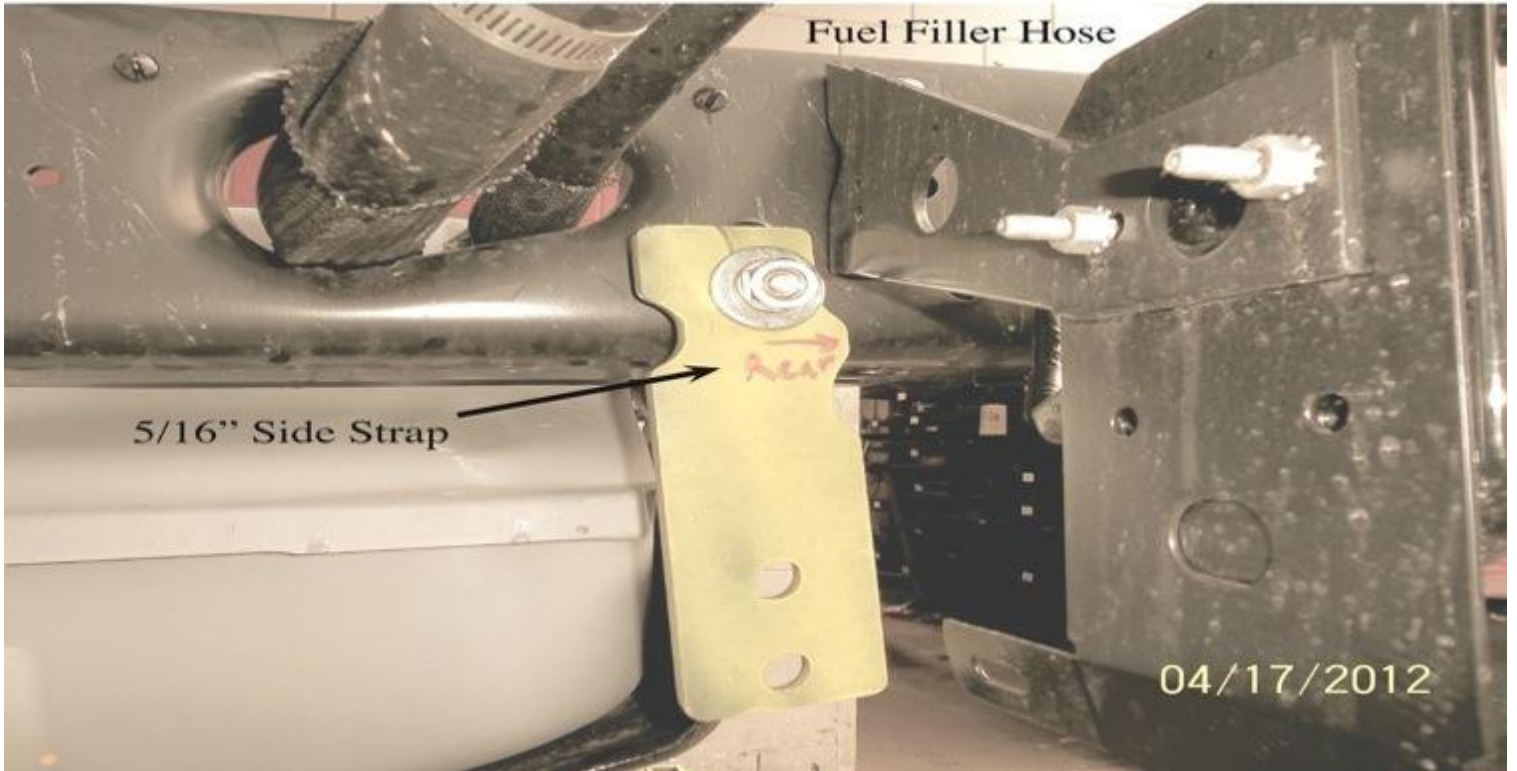


Photo 1.4

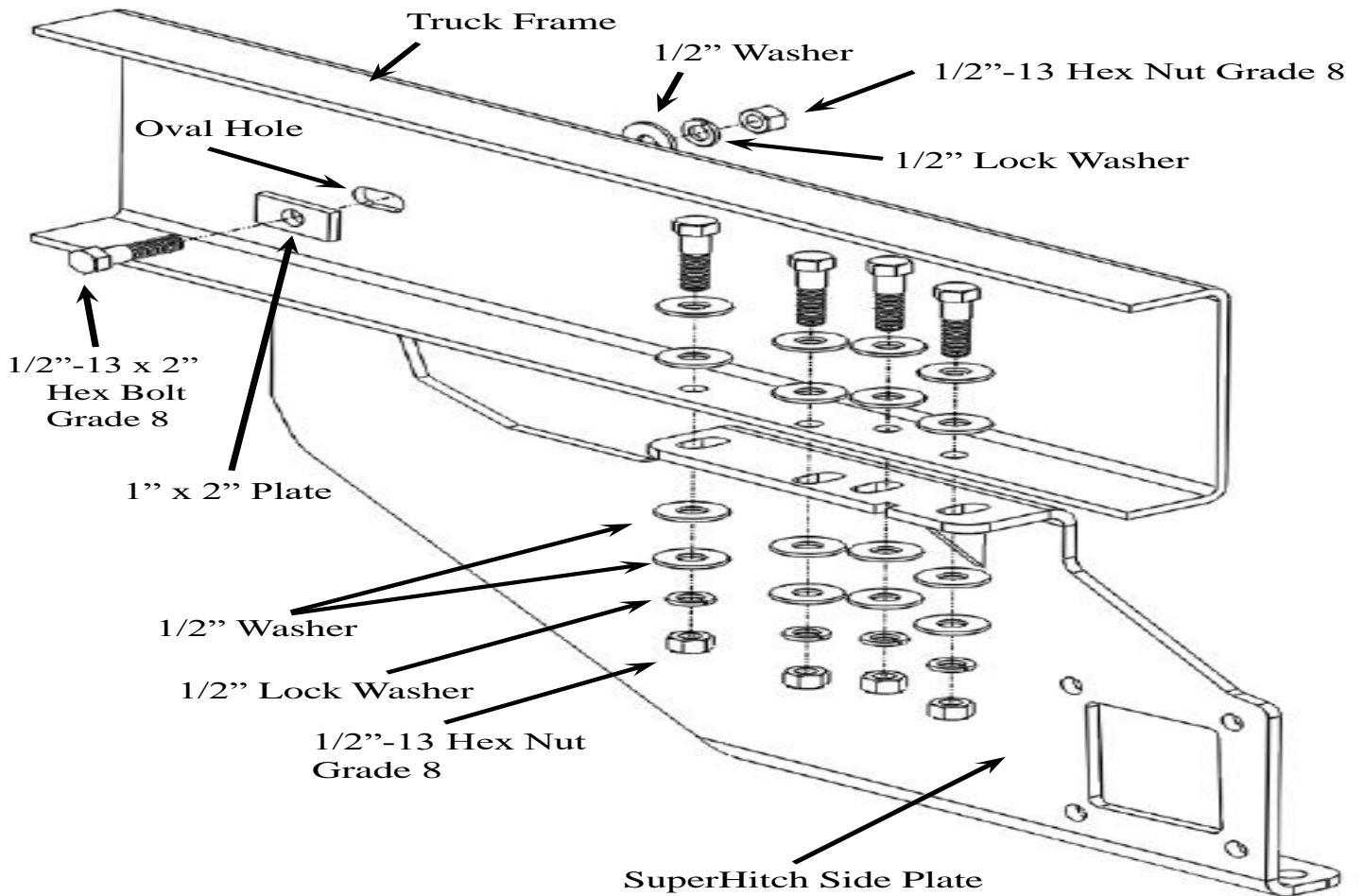


Photo 1.5

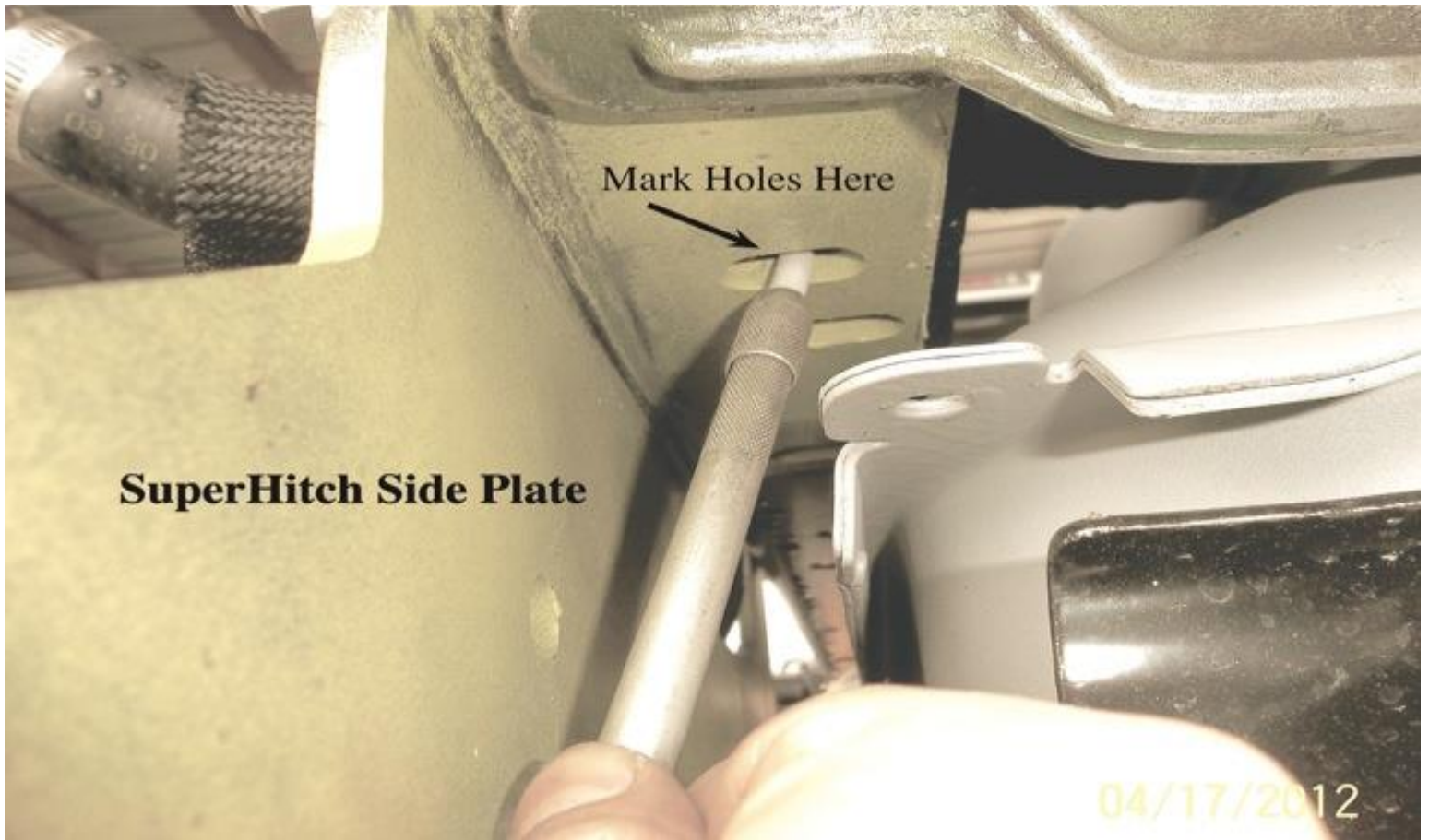


Photo 1.6



Photo 4.1



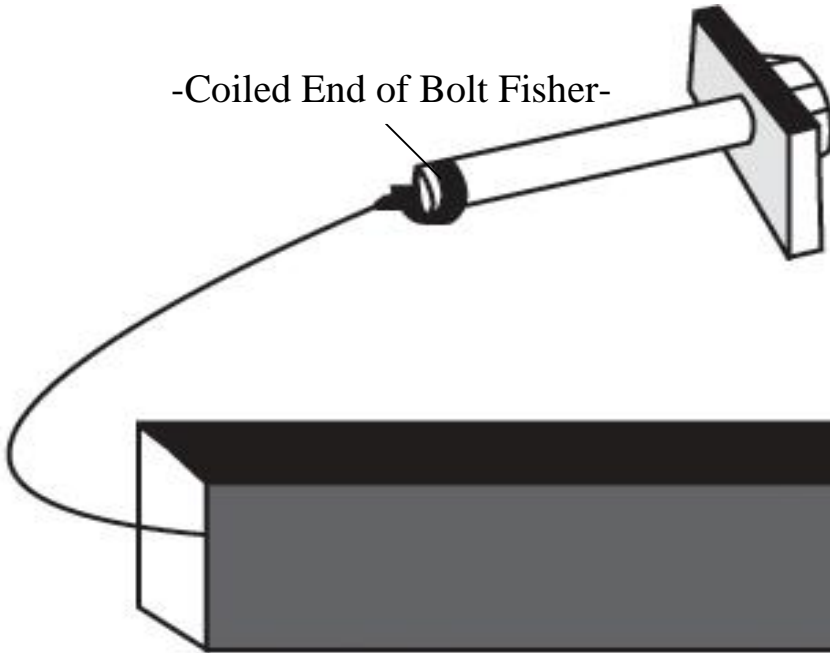
Photo 4.2



# TORKLIFT'S BOLT FISHING GUIDE

Your guide to understanding the installation of our frame mounted tie downs.

-Coiled End of Bolt Fisher-



Note: The hardware may vary as to what is being fished along with the bolt. In this instance a 1”(2cm) X 2”(5cm) plate washer is being fished along with the hex bolt. Different applications may require fishing through various star washers and flat washers for example.

Desired Hole on Vehicle (Place the coiled end of the bolt fisher through this hole).

This side of the Bolt Fisher should come out of a hole where the required hardware (for example 1”(2cm) X 2”(5cm) plate washer) can pass through.



This bottom example shows the bolt when it's completely fished through the vehicle. You may find it easier to keep the bolt fisher attached until you get the tie down receiver in place so that the bolt doesn't fall into the vehicle frame.

**WARNING: PULLING TOO HARD ON THE BOLT FISHER CAN RESULT IN LOST FASTENERS, OR BROKEN BOLT FISHER.**

# SUPERTRUSS EXTENSION WEIGHT CAPACITIES

**(SUPERTRUSS SOLD SEPARATELY)**

ASSEMBLE THE CHAIN, BOW SHACKLES, & TURNBUCKLES

AS SHOWN. TIGHTEN BOW SHACKLES AND

TURNBUCKLE JAM NUTS WITH HAND TOOLS

**(TIGHTEN TURNBUCKLES BY HAND**

**DO NOT USE TOOLS TO TENSION TURNBUCKLES)**



## WARNING - READ CAREFULLY

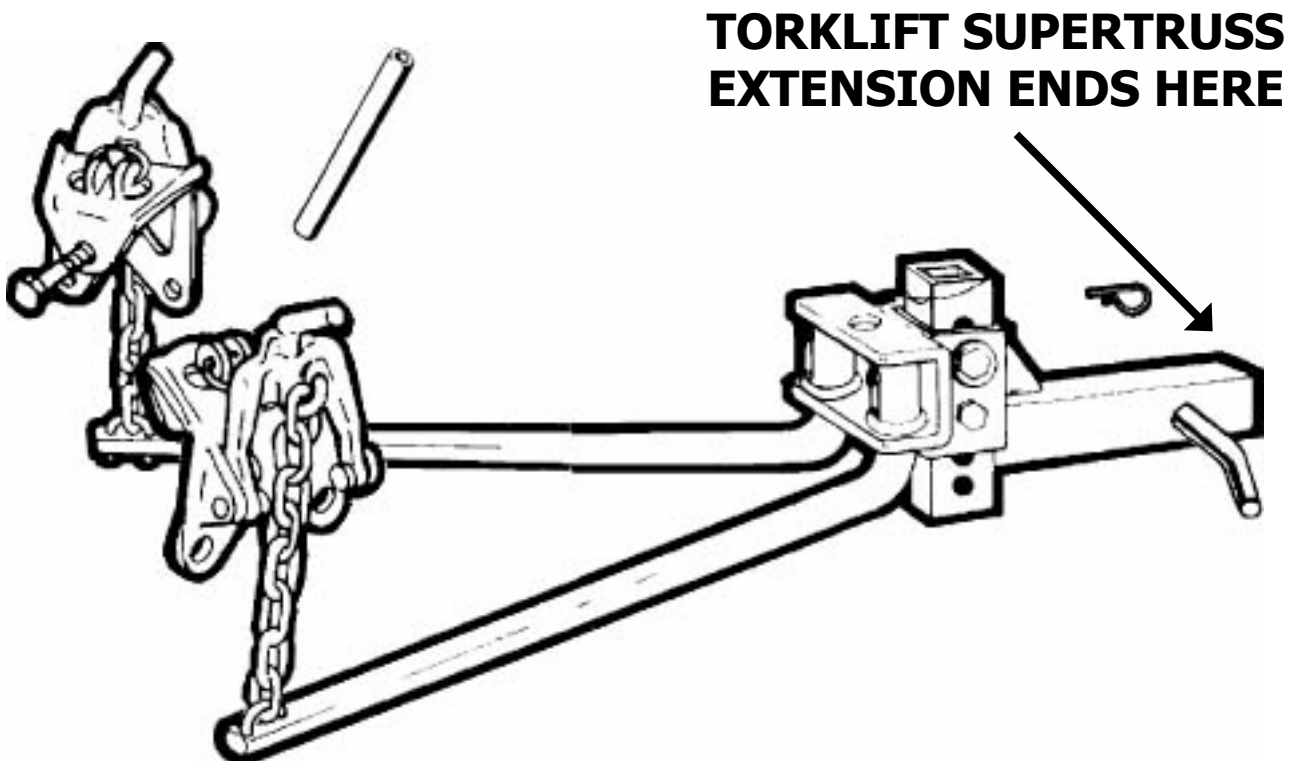
**Dead Weight (weight carrying)    Weight Distributing (load equalizing)**

<b>Tongue Weight</b>	<b>Pull Weight</b>	<b>Tongue Weight</b>	<b>Pull Weight</b>
60" (152cm)	500 lb.(226kg)	5,000 lb.(2267kg)	1,000 lb.(453kg)    10,000 lb.(4535kg)
48" (122cm)	600 lb.(272kg)	6,000 lb.(2721kg)	1,200 lb.(544kg)    12,000 lb.(5443kg)
42" (107cm)	600 lb.(272kg)	6,000 lb.(2721kg)	1,200 lb.(544kg)    12,000 lb.(5443kg)
36" (91cm)	650 lb.(294kg)	6,500 lb.(2948kg)	1,200 lb.(544kg)    12,000 lb.(5443kg)
32" (81cm)	650 lb.(294kg)	6,500 lb.(2948kg)	1,200 lb.(544kg)    12,000 lb.(5443kg)
28" (71cm)	750 lb.(340kg)	7,500 lb.(3401kg)	1,200 lb.(544kg)    12,000 lb.(5443kg)
24" (61cm)	750 lb.(340kg)	7,500 lb.(3401kg)	1,400 lb.(635kg)    14,000 lb.(6350kg)
21" (53cm)	750 lb.(340kg)	7,500 lb.(3401kg)	1,400 lb.(635kg)    14,000 lb.(6350kg)

THE USE OF THIS PRODUCT WITHOUT A LOAD EQUALIZING SYSTEM LIMITS YOUR CAPACITY TO THE DEAD WEIGHT (WEIGHT CARRYING) CAPACITY. FAILURE TO STAY WITHIN THESE LIMITATIONS WILL RESULT IN DAMAGE AND VOID YOUR WARRANTY!!!!

**The Torklift SuperTruss Extension cannot be used with any other type of trailer hitch receiver. Any attempt to modify or recreate a SuperHitch receiver will result in a loss of warranty. The modification of another factory or aftermarket trailer hitch receiver in an attempt to use a Torklift SuperTruss extension can result in death or damage. The SuperHitch receiver made by Torklift is a special extra heavy-duty trailer hitch receiver, and the capacities stated for the SuperTruss extension are solely with the use of a Torklift SuperHitch. Please call if you have any questions on installs or otherwise at 1-800-246-8132.**

**THESE STEPS MAY VARY DEPENDING ON  
WEIGHT DISTRIBUTION HITCH  
MANUFACTURER  
WEIGHT DISTRIBUTING  
(LOAD EQUALIZING HITCH)**



**THIS TYPE OF HITCH IS REQUIRED IN  
ADDITION TO YOUR SUPERHITCH TO  
OBTAIN THE MAXIMUM RATED CAPACITY.  
INCORRECT INSTALLATION OF THE WEIGHT  
DISTRIBUTION SYSTEM MAY RESULT IN  
DAMAGE TO YOUR VEHICLE.**

# **WEIGHT DISTRIBUTION - CONTINUED**

When towing trailers that exceed the dead weight rating on your extension it is mandatory to use a weight distributing type hitch/ball mount and related hardware (SPRING BARS, QUICK HOOKUP CLIPS ETC).

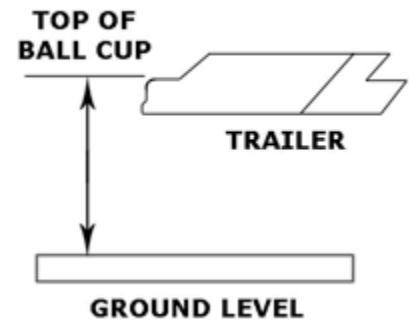
Not all weight distribution systems are rated at the same capacity. Your weight distributing ball mount and bars must be rated at least 100 lbs.(45kg) higher in regards to tongue weight, than your pre-existing tongue weight of your trailer **when fully loaded.**

**It is of critical importance** that your weight distribution system is not only rated high enough to match your existing tongue weight, but that you also have the system set up correctly.

We have supplied a formula to assist you in accurately determining the tongue weight load of your trailer when fully loaded. After accurately determining your tongue weight and making sure that your weight distribution system is rated high enough, your next step is to ensure the set up of the system is correct.

# PLEASE READ CAREFULLY

**1.** The height of the ball must be determined before any assembly work can be started. To get ball height, measure trailer from ground level to top of ball coupler. Be sure trailer is parallel to ground. With your camper on your truck, fully loaded with gear and overloads adjusted, slide the weight distribution ball mount into the SuperHitch extension. Be sure the truck is on level ground. The measurement from ground to top of ball should be 1 1/2"(4cm) higher than the level height of trailer top of ball measurement.



**2.** After ball height has been determined write down the ascertained height. EXAMPLE: Measured top of coupler height was 17"(43cm) from ground; ball height should be 18 1/2"(47cm).

**3.** Slide the shank into the sleeve receiver, insert hitch pin and spring clip. With the ball attached to the ball mount, slide the ball mount up or down the shank until nearest dimension is obtained and the holes line up with shank. Insert the bolt in the bottom hole first (rest hitch head).

**4.** The rivet and 8 spacer washers are supplied in order to gain the correct downward angle of the spring bars. Insert rivet, and depending on the angle or the slope of bars that must be gained, use either 8 or the least amount of washers necessary in order to establish correct angle. The rivet and its accompanying washers are placed in the 1/2" hole between the "U" on the ball mount to acquire desired angle of spring bar. Once the spring bar angle has been determined, insert the top bolt with a flat washer, both sides, the lock washer, and nut to secure the unit in correct position, now insert the bottom bolt, use the lock washer and nut. Before tightening the bolts, lock the setscrew. (After the first day of towing, check set the screw for tightness.)

**See the following page for further illustrated diagrams**

# ILLUSTRATED DIAGRAMS

## **BEFORE HOOKING UP**

Spring bar should hang down on a 10-13 degree angle when ball mount has been tilted back at 6-8 degree angle.

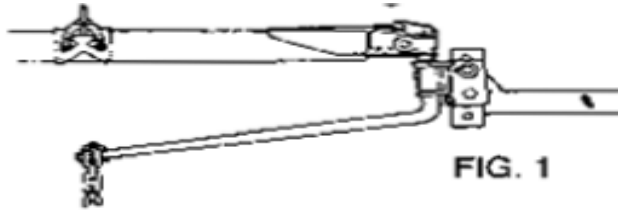


FIG. 1

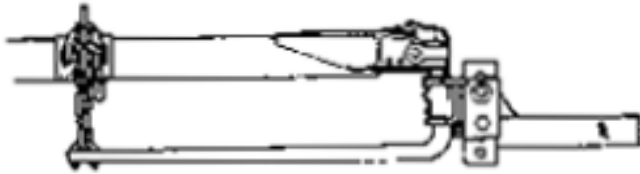


FIG. 2

## **AFTER HOOKING UP**

Spring bar should be parallel with trailer frame, or a slight angle up or down. Slight bow or bend to bar is normal.

**WRONG** Readjust degree of tilt on ball mount, if you have more than 5 links of chain hanging free. The number of links should be the same on both bars.

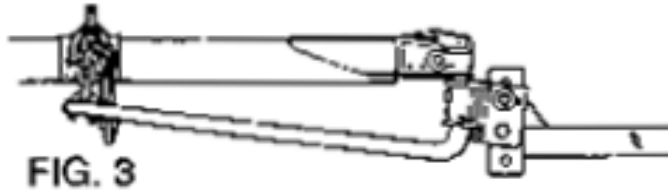
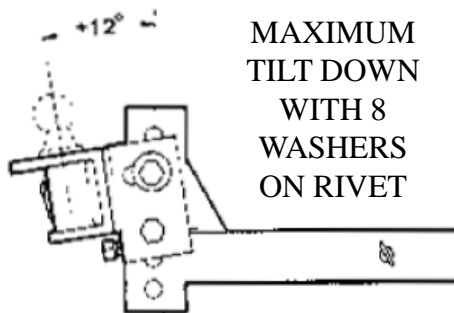
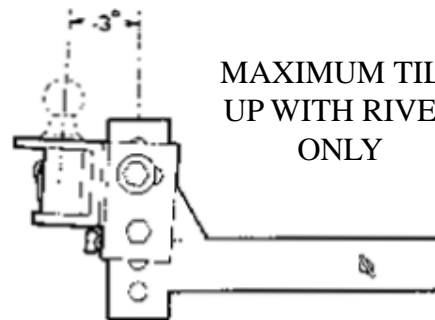


FIG. 3



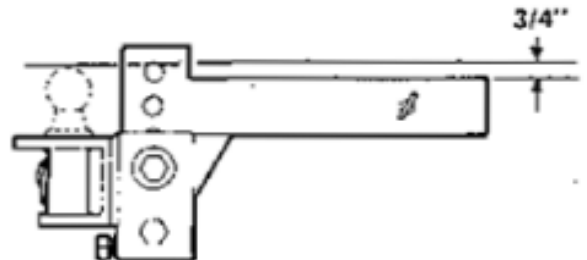
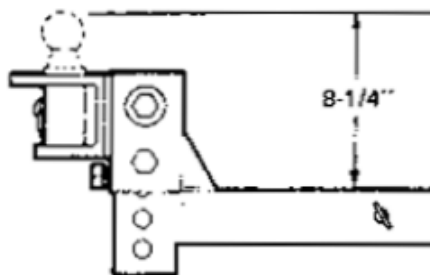
MAXIMUM  
TILT DOWN  
WITH 8  
WASHERS  
ON RIVET



MAXIMUM TILT  
UP WITH RIVET  
ONLY

EACH WASHER LOWERS  
CHAIN END OF SPRING  
BAR APPROX. 1-1/2"

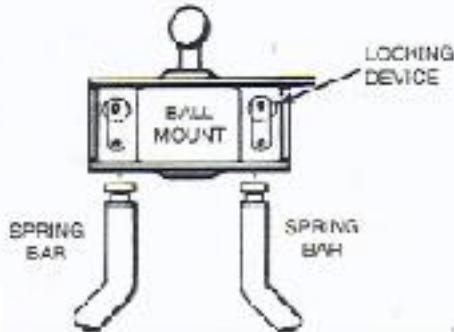
BOLT-TOGETHER BALL  
MOUNT HAS 7-1/2" AD-  
JUSTMENT, EACH AD-  
JUSTMENT IS 1-1/4"  
EXTRA HY-LOW SHANKS  
AVAILABLE IF NEEDED



## THESE STEPS MAY VARY DEPENDING ON WEIGHT DISTRIBUTION HITCH MANUFACTURER

**1.** Put the ball mount into the sleeve and insert the 5/8" hitch pin using spring clip to lock the pin into place, hitch balls are not furnished with the hitch as there are several sizes. Normally they are supplied or may be purchased from the dealer to match the coupler of the trailer. Ball shank bushings are supplied to reduce the size of the ball hole in the hitch down to 1"(2cm) if needed.

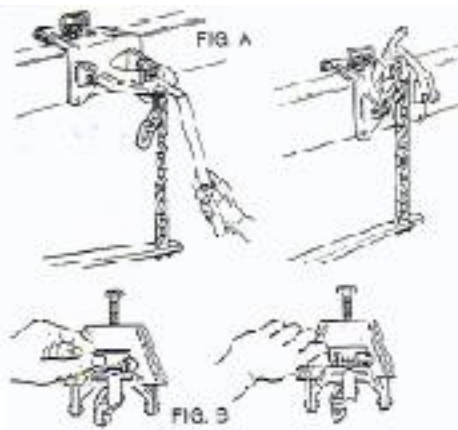
**2.** Measure the towing vehicle ball height before adding load to towing vehicle. Hook the trailer to the truck. Lock on the ball. To make hooking up easier and safer - raise front of the trailer and back of the towing vehicle above level with the trailer tongue jack. This removes some of the tension by reducing the distance between the spring bar and hook-up arm.



**3.** This step may vary depending on the manufacturer. The spring bars can be inserted into either side of the ball mount. (There is no 'right' or 'left' bar). To insert and lock spring bar in socket, hold the bar under socket and push up. The spring bar will automatically be locked into position by the spring bar-locking device. (Check to make sure the bar is locked in by moving it up and down at the chain end.) To remove the spring bars, just pull out the locking device or swing the bar around under the bumper and it will drop free.

**4.** To find correct location on trailer frame for quick hook-up bracket, hold the chain straight up and down and free of twist center hook-up bracket on frame and tighten. Set the screw 1/4 turn only. **DO NOT OVERTIGHTEN.** On straight tongue trailers a poli-tongue adapter is necessary

**5.** You are now ready to put tension on the spring bars. When using the quick hook-up, lower the arm and slip link of chain over hook. Insert hook-handle over the end of the quick hook-up arm. Lift and flip over center. (See fig A).



**CAUTION: MAKE SURE THAT THE HOOK-UP ARM IS COMPLETELY SEATED AND THAT THE SPRING BAR IS PUSHED DIRECTLY UNDER THE HOOK-UP CHAIN HOOK.** Now install the hook-up locking clip through locking ears and over hook on hook-up arm. (See fig B)

**6.** Release the trailer tongue jack by adjusting the chain links up or down; the desired load on the bars will be gained. Now lock the coupler on to the ball and raise the front of the trailer approximately 3"(8cm) above level. Now attach the chain link to the hook-up clip. It should require 50-100 lbs.(22-45kg) of force to properly tension the spring bars. Bow or bend to the spring bar is normal.

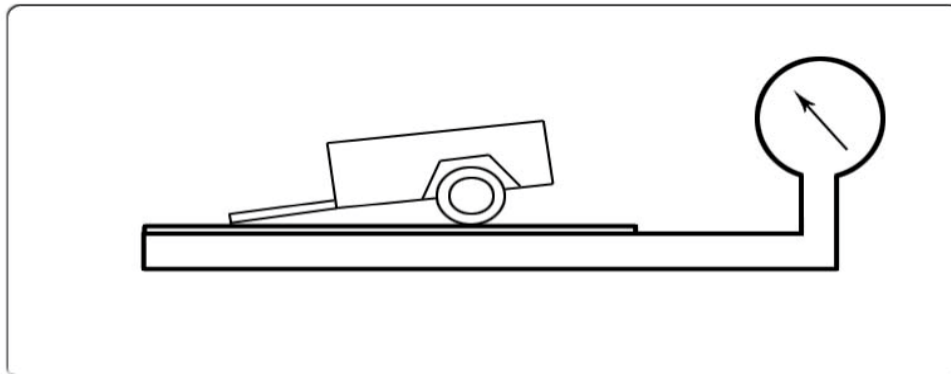
**7.** To release tension on the spring bars, raise the front of the trailer and the back of the towing vehicle above level (approx. 3"(8cm)) with the trailer tongue jack. Remove the locking clip from the bracket. Insert the handle over arm. Carefully lower the arm with the handle. It will require effort to bring the arm over the center and then to resist the chain tension as the arm rotates downward.

### MAINTENANCE:

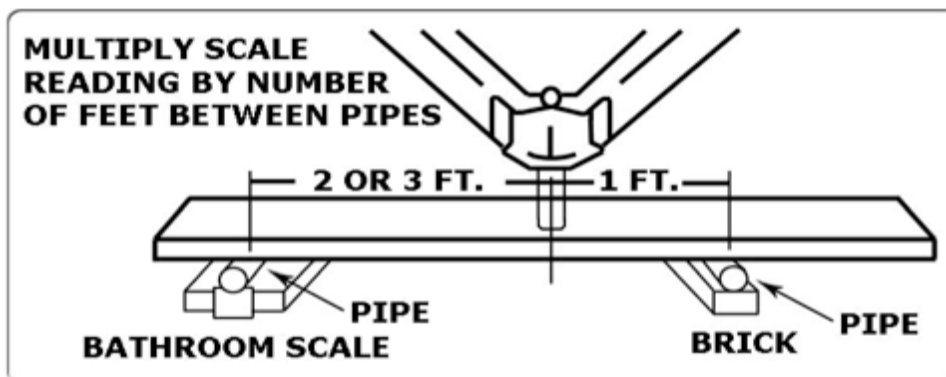
Use heavy lubrication such as fibre type wheel bearing grease on the hitch ball and on spring bars inside the ball mount. This is recommended every day. Also keep the hitch painted to prevent rust and check the tightness of bolts regularly. Clean out old grease and do not let it harden inside of the ball mount

# IMPORTANT CONSUMER INFORMATION ON TOWING

**TOWING EQUIPMENT OWNERS:** Make sure all of the operators of your equipment read and understand this information before towing. Save for reference. This will help you properly select, use, and maintain your towing equipment. Refer to your owner's manuals for your tow vehicle, trailer, and other parts of your towing system. Learn the capabilities and limitations of each part. The **GROSS TRAILER WEIGHT** and **TONGUE WEIGHT** are two of the most important items to consider. **THESE WEIGHTS MUST NEVER EXCEED THE LOWEST RATING OF ANY PART OF YOUR TOWING SYSTEM. GROSS TRAILER WEIGHT** is the weight of the trailer plus all cargo. Measure the **GROSS TRAILER WEIGHT** with the fully loaded trailer on a level surface. The weight is the downward force exerted on the ball by the trailer coupler. Measure the **TONGUE WEIGHT** with the fully loaded trailer on a level surface. The coupler must be at its normal towing height. Use a commercial scale or a bathroom scale. Set up the bathroom scale as shown for heavy tongue weights.



**Method for Measuring Gross Trailer Weight**



**Method for Measuring Trailer Tongue Weight**

# YOUR TOWING EQUIPMENT

## HITCH BALLS

Select by gross trailer weight rating, mounting platform thickness, hole size and coupler socket size. Platform must be at least 3/8 inch thick. Hole must not exceed threaded shank diameter by more than 1/16 inch. Use lock washer. Tighten per instructions. When tightened, shank must protrude beyond bottom of nut. Gross trailer weight rating and ball diameter are marked on Hitch balls.

## TRAILER COUPLERS

The coupler socket should be smooth, clean and lightly lubricated. Tighten or adjust per coupler manufacturer's instructions.

## SAFETY CHAINS

Connect safety chains properly EVERY TIME YOU TOW. Cross chains under coupler. Attach securely to the hitch or tow vehicle so they can't bounce loose. Leave only enough slack to permit full turning. Too much slack may prevent chains from maintaining control if other connections separate. Don't let chains drag on the road.

## TRAILER LIGHTS, TURN SIGNALS, ELECTRIC BRAKES AND BREAK AWAY SWITCH CONNECTIONS

Make these safety-critical connections EVERY TIME YOU TOW, no matter how short the trip. Check operation, including electric brake manual control, before getting on the road.

## SWAY CONTROLS

Sway controls can lessen the effects of sudden maneuvers, wind gusts and buffeting caused by other vehicles. We recommend them for trailers with large surface areas, such as travel trailers. Adjustable friction models can help control trailers with low tongue weight percentage.

## OTHER USEFUL EQUIPMENT

AIR SPRINGS, AIR SHOCKS or HELPER SPRINGS are useful for some hitch applications. A TRANSMISSION COOLER may be necessary for heavy towing. Many states require TOWING MIRRORS on both sides.

## TIRE INFLATION

Check often. Follow tow vehicle and trailer manufacturer's recommendations. Improper tire inflation can cause trailer sway.

**NO PASSENGERS IN TRAILERS:** NEVER allow people in trailers while towing, under any circumstances.

# HELPFUL TOWING HINTS

## **TRAILER LOADING**

Proper loading helps prevent sway. Place heavy object on the floor ahead of the axle. Balance the load side-to-side. Secure it to prevent shifting. Tongue weight should be 10-15 percent of gross weight for most trailers. Too low a percentage of tongue weight can cause sway. NEVER load the trailer rear heavy. LOAD THE TRAILER HEAVIER IN FRONT

## **DRIVING**

The additional weight of a trailer affects acceleration, braking, and handling. Allow extra time for passing, stopping, and changing lanes. Severe bumps can damage your towing vehicle, hitch, and trailer. Drive slowly on rough roads. STOP AND MAKE A THOROUGH INSPECTION IF ANY PART OF YOUR TOWING SYSTEM STRIKES THE ROAD. CORRECT ANY PROBLEMS BEFORE RESUMING TRAVEL.

## **CHECK FOR EXCESSIVE SWAY AND ELIMINATE IT**

Excessive sway can lead to loss of control. Sway motion should settle out quickly. Sway tends to increase on a downgrade. Starting slowly, increase speed in gradual steps. If sway occurs, adjust your trailer load and equipment. Repeat until the trailer is stable at highway speed. Do this whenever your trailer loading changes.

## **IF TRAILER SUDDENLY STARTS TO SWAY**

Turbulence from another vehicle, a wind gust, or a downgrade can cause sudden sway. So can a shift of the trailer's load or a trailer tire blowout. IF THE TRAILER SWAYS, IT IS THE DRIVER'S RESPONSIBILITY TO ASSESS THE SITUATION AND TAKE APPROPRIATE ACTION. Below are suggestions that may apply, depending on conditions:

## **DO**

- Reduce your speed gradually
- Hold the steering wheel as steady as possible
- If your trailer has electric brakes, apply the brakes alone, without using the tow vehicle's brakes.

## **DON'T**

- Don't hit your brake pedal hard unless absolutely necessary. A "jack-knife" can result.
- Don't try to steer out of the sway condition. Sudden or violent steering can make it worse.
- Don't speed up. Sway increases as you go faster.
- Don't continue towing a trailer that tends to sway. You may lose control during an emergency maneuver or if the conditions listed above occur.

# **INSTRUCTIONS FOR FINISH MAINTENANCE** **OF TORKLIFT PRODUCTS**

## **POWDER COATED STEEL:**

To keep your Torklift products looking good follow these guidelines. All steel powder coated Torklift products are sandblasted for maximum adhesion and use a high quality industrial urethane based powder coat. Due to the extreme, harsh, under car environment that your Torklift products live in, (constantly sprayed with corrosive road chemicals such as salt, and road debris), Torklift does not warranty the powder coated finish.

To minimize corrosion from these factors on powder coated steel products, Torklift recommends regularly cleaning and inspecting the powder-coated surface and touching up any affected areas with enamel or urethane based aerosol paint product. If there are any areas of surface rust, there are also aerosol spray rust converters available on the market that can be used as a preparation to touch-up paint application. These finish maintenance products are available at any automotive parts supplier.

## **POLISHED STAINLESS STEEL:**

Torklift utilizes quality grade 304 stainless steel in our stainless steel polished products. 304 stainless steel is well known for its anti-corrosive properties. However, in some environments such as coastal regions or when coming in contact with some road chemicals, corrosion may occur.

For a quick clean simply use WD-40 and a cloth rag. We also recommend occasional polishing of our polished stainless products to maintain their attractive finish. Use an approved stainless steel chrome or aluminum mag wheel polish cleaning product, which can be purchased from any automotive parts supplier.

# **Torklift International Limited Lifetime Warranty Information**

**322 N. Railroad Ave. Kent, WA 98032**

Torklift will require proof of purchase to register, with pictures of any defective product before issuing a replacement. Torklift will not register any product without proof of purchase, which can be faxed, scanned, emailed, or mailed to the information provided below. Torklift warrants its hitches, custom hitch receivers, frame mounted tie downs, turnbuckles, and accessories (excluding wire harnesses which carry a 90 day warranty) from date of purchase against defects in material and workmanship under normal use and service for the ownership life of the original consumer purchaser. **ALL COMMERCIAL APPLICATIONS ARE WARRANTED FOR A PERIOD OF 90 DAYS FROM THE DATE OF INSTALLATION/SERVICE.** Torklift will replace **FREE OF CHARGE** any part, which proves defective in material or workmanship when presented to Torklift, **TRANSPORTATION CHARGES PREPAID** by purchaser, at the address above. **THIS WARRANTY IS LIMITED TO DEFECTIVE PARTS REPLACEMENT ONLY. LABOR CHARGES AND/OR DAMAGE INCURRED IN INSTALLATION OR REPLACEMENT, AS WELL AS INCIDENTAL AND CONSEQUENTIAL DAMAGES CONNECTED THEREWITH ARE EXCLUDED.** This warranty does not include the finish or paint on our products. Rusting, cracking or peeling of the finish is also excluded. Some states do not allow the exclusion or limitation of incidental or consequential damages, so the above limitation or exclusion may not apply to you. Any damage to Torklift products as a result of misuse, abuse, neglect, accident, improper installation or any use violation of instructions furnished by Torklift or **WHEN USED IN ANY COMMERCIAL APPLICATION WILL VOID THE WARRANTY.** This warranty gives you specific legal rights, and you may also have rights, which vary from state to state. With warranty service, you may be able to go to a small claims court, a state court or a federal district court.



**OVER 35 YEARS OF INNOVATION, QUALITY, SAFETY.**

**322 N. Railroad Ave. Kent, WA 98032**

**Phone (800) 246-8132**

**Fax (253) 854-8003**

or visit our website: [www.TorkLift.com](http://www.TorkLift.com)

Dear Valued Customer,

Thank you for making TorkLift your choice for truck, camper packages and accessories for your vehicle. By choosing TorkLift products, you have chosen a company that has been serving the RV industry for nearly 40 years and whose name has become synonymous with strength, quality and advanced design and installation.

Please take a few moments of your time to complete the Product Registration Warranty Card on the next page. When registering your newly purchased TorkLift products, you can be assured that your contact information is secure and that you and your product are getting the attention and respect that you deserve.

Thank you again for choosing TorkLift quality products.

**Register for your lifetime warranty and receive a free Torklift  
International gift.**

To Fax: Send copies of the questionnaire, warranty card and receipt to  
253-854-8003

To E-mail: Send copies of the questionnaire, warranty card and receipt to  
[warranty@torklift.com](mailto:warranty@torklift.com)

To Mail: Send to Torklift International 322 N Railroad Ave. Kent, WA 98032



# **TORKLIFT**

## **INTERNATIONAL**

**OVER 35 YEARS OF INNOVATION, QUALITY, SAFETY.**

### **OFFICIAL WARRANTY REGISTRATION CARD**

PLEASE FILL OUT THIS FORM COMPLETELY AND RETURN TO TORKLIFT WITHIN  
30 DAYS OF PURCHASE ACCOMPANIED BY A COPY OF YOUR ORIGINAL RECEIPT

**TODAY'S DATE:** \_\_\_\_\_

#### **1. PART(S) PURCHASED**

PART#: \_\_\_\_\_ PART#: \_\_\_\_\_  
PART#: \_\_\_\_\_ PART#: \_\_\_\_\_

#### **2. PURCHASER INFORMATION**

NAME: \_\_\_\_\_

ADDRESS: \_\_\_\_\_

CITY: \_\_\_\_\_ STATE: \_\_\_\_\_ ZIP / POSTAL CODE: \_\_\_\_\_

PHONE: (\_\_\_\_) \_\_\_\_\_ - \_\_\_\_\_ EMAIL: \_\_\_\_\_

#### **3. TRUCK INFORMATION**

YEAR: \_\_\_\_\_ MAKE: \_\_\_\_\_

MODEL: \_\_\_\_\_ BED LENGTH: \_\_\_\_\_

#### **4. CAMPER INFORMATION**

YEAR: \_\_\_\_\_ MAKE: \_\_\_\_\_ MODEL: \_\_\_\_\_

#### **5. DEALER INFORMATION**

PURCHASED FROM: \_\_\_\_\_

ADDRESS: \_\_\_\_\_

CITY: \_\_\_\_\_ STATE: \_\_\_\_\_ ZIP / POSTAL: \_\_\_\_\_

INSTALLED BY:  OWNER  ABOVE DEALER  ANOTHER DEALER

IF ANOTHER DEALER, WHO: \_\_\_\_\_