

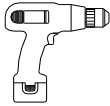
Universal Mud Flap Mounting Diagram & Instructions

GATORBACK

IMPORTANT:

The manufacturer is not responsible for negligent use of vehicle with mud flaps installed, including over-tightening of screws and bolts causing damage to vehicle or mud flaps.

TOOLS REQUIRED:



*Electric or Re-Chargeable
1/2" or 3/8" Drill*



3/8" Socket Driver

PARTS ENCLOSED:

(8) Tek Screw, SS
Part #010011



(8) Flat Washer
Part #018028

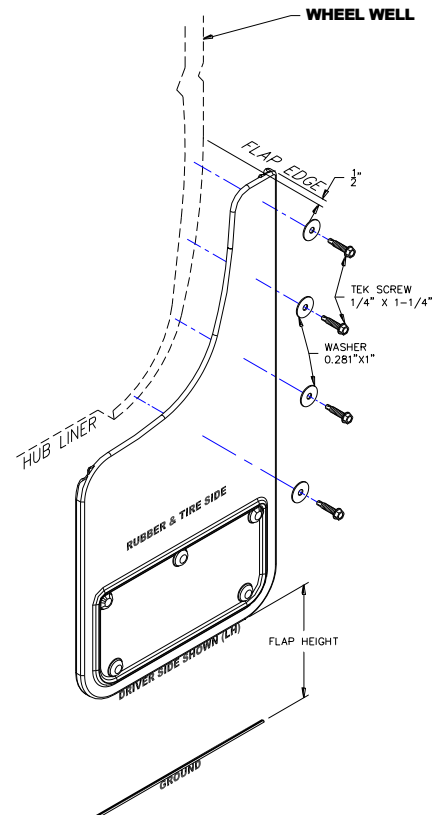


(1) Set Mud Flaps, Driver's Side
& Passenger Side

INSTALLATION

For ease of installation, it is suggested that the wheel be removed.

1. Before you install your Truck Hardware Mud Flap Set, see the diagram and parts list for all necessary parts. Start on the Driver's side.
3. Square the flap with the tire while putting pressure against the wheel well with the required height. The outside edge of the flap should be 1/2" past the wheel well.
4. Now fasten the flap with four washers and four tek screws.
5. Repeat procedure for the passenger side. Insure all fasteners are tight.



✓ Check all fasteners for tightness. Repeat procedure on the passenger side.