

GATORBACK

1999 – 2007, GM Rear Mount Bracket Mounting Diagram & Instructions 755008

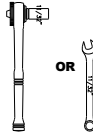
IMPORTANT:

The manufacturer is not responsible for negligent use of vehicle with mud flaps installed, including over-tightening of screws and bolts causing damage to vehicle or mud flaps.

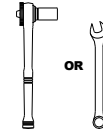
TOOLS REQUIRED:



#2 Phillips screwdriver



11/32" wrench or
socket wrench



13 mm wrench
or socket wrench

KIT CONTAINS: PARTS BAG #755136

a) (1) Mount Bracket,
Rear, LH
Part #755131



b) (1) Mount Bracket
Rear, RH
Part #755132



c) (6) Machine Screw
#8-32 x 7/8"
Part #012025



d) (6) Flat Washer
0.188" x 0.781"
Part #018018



e) (6) Nylock Nut
#8-32
Part #025005



INSTALLATION

For ease of installation, it is suggested that the wheel be removed.

1. Fasten the LH mount bracket to the left hand flap with 3 machine screws / small washers and nylock nuts to Holes #1, #2 and #3 or, if you prefer the flap mounted higher and farther away from the ground than use Holes #4, #5 and #6. See Diagram #1.

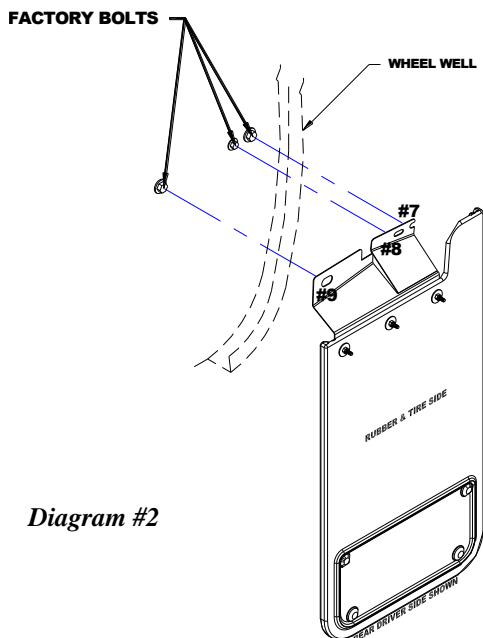


Diagram #2

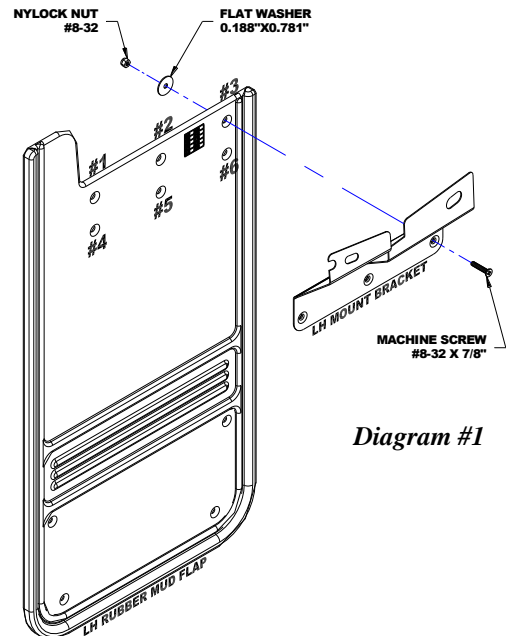


Diagram #1

2. Remove the 3 factory body bolts and reinstall through the LH mount bracket Holes #7, #8 and #9 with the LH mount bracket facing the rear of the vehicle. See Diagram #2. Loosely secure at this point.

✓ Check all fasteners for tightness. Repeat procedure on the other side.