

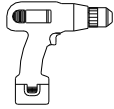
GATORBACK

2007 - 12, GM HD, DUALY Rear Mount Bracket Mounting Diagram & Instructions 755566

IMPORTANT:

The manufacturer is not responsible for negligent use of vehicle with mud flaps installed, including over-tightening of screws and bolts causing damage to vehicle or mud flaps.

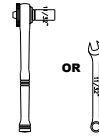
TOOLS REQUIRED:



Electric or Chargeable
1/2" or 3/8" drill



#2 Phillips screwdriver



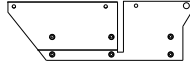
13mm wrench or
socket wrench



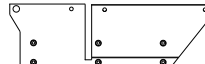
5/16" Socket Driver

KIT CONTAINS:

a) (1) Mount Bracket,
Rear, DS
Part #755558



b) (1) Mount Bracket
Rear, PS
Part #755559



c) (6) Screw, TEK
1/4" x 1 1/4"
Part #010011



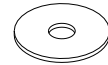
d) (12) Machine Screw
#8-32 x 5/16
Part #012023



e) (12) T-Nut
#8 - 32
Part #016028



f) (6) Flat Washers
0.281" x 1"
Part #018028



INSTALLATION

1. Before you install your mud flaps, see the diagram and parts list for all necessary parts. (Start on drivers side)
2. Fasten the DS mount bracket to the drivers side flap with six machine screws and six -nuts. (See Diagram #1)
3. Remove factory bolt #5 and reinstall through the mount bracket hole #4 loosely secure at this point. (See Diagram #2)
4. Square the flap with the tire and put the mount bracket up against wheel hub and secure the mount bracket with three tek screws & 3 flat washers. Now tighten the factory bolt. (See Diagram #2)

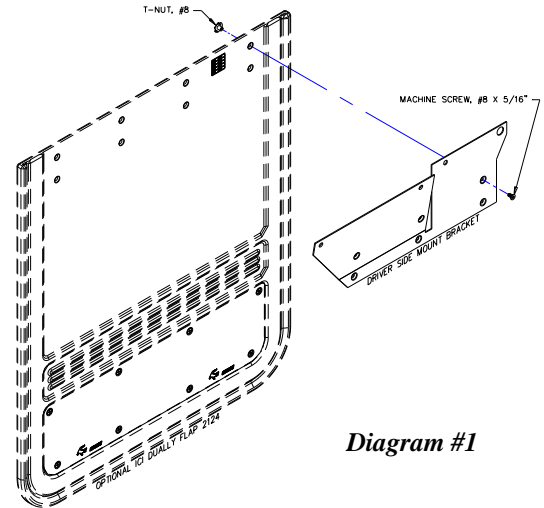


Diagram #1

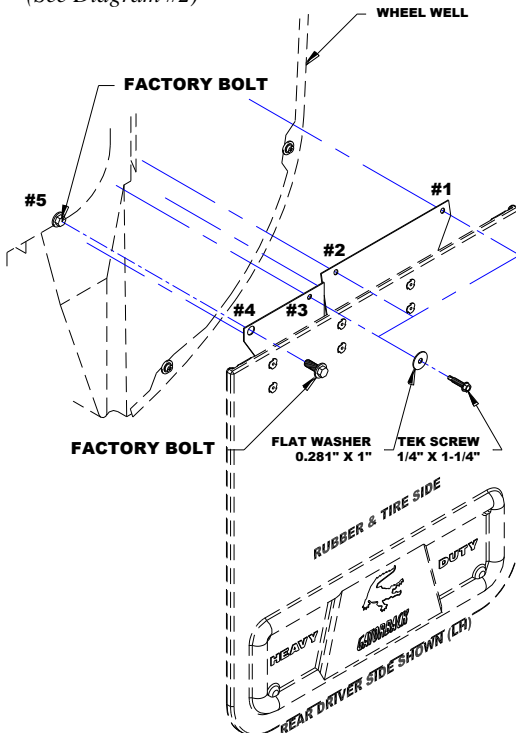


Diagram #2

Check all fasteners for tightness. Repeat procedure on the other side