

GATORBACK

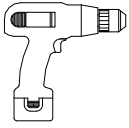
756681

2007-2013, GM, 5/8" Offset Front Upper Mount Kit Mounting Diagram & Instructions Part

IMPORTANT:

The manufacturer is not responsible for negligent use of vehicle with mud flaps installed, including over-tightening of screws and bolts causing damage to vehicle or mud flaps.

TOOLS REQUIRED:



Drill



3/8" Socket Driver



#2 Phillips Screwdriver

KIT CONTAINS:

a) (1) Mount Bracket,
Rear, DS
Part #755524



b) (1) Mount Bracket
Rear, PS
Part #755525



c) (8) Tek Screw
1/4-14 x 1.25"
Part #010011



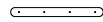
d) (8) Flat Washer
0.281" x 1.0"
Part #018028



e) (8) Machine Screws
#8-32 x 1/2", SS
Part #012031



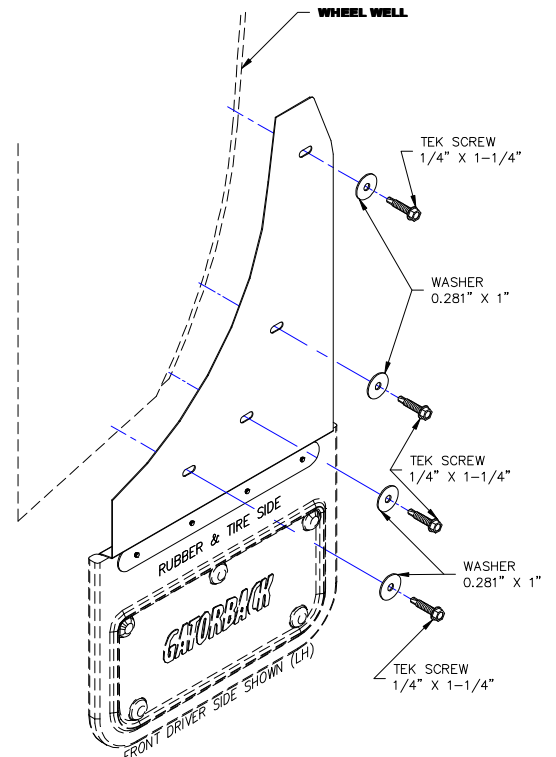
f) (2) Rear Strip
1" x 12"
Part #755523



INSTALLATION

For ease of installation, it is suggested that the wheel be removed.

1. Before you install your mud flap set, see the diagram and parts list for all necessary parts. Cut protective plastic and peel away from stainless steel. Start on the driver's side.
2. Square the flap with the tire while holding the flap up against the wheel well.
3. Ensure the 4 slotted holes on the stainless steel panel are centered on the wheel well and the slots in the stainless steel panel cannot be seen from the rear of the truck.
4. Fasten the flap with the 4 tek screws and washers into the 4 slotted holes.



Check all fasteners for tightness. Repeat procedure on the other side.