



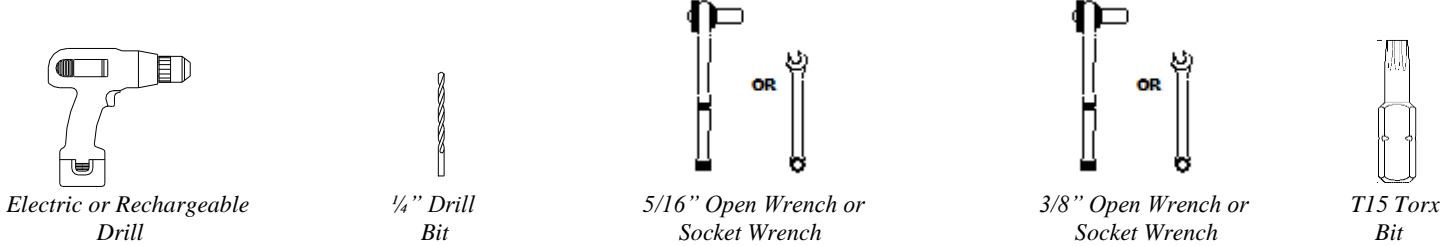
2017-2018 GMC Acadia
Mud Flap Set, Front
Mounting Diagram & Instructions
Kit# GCR21F
 766684/766654

IMPORTANT:

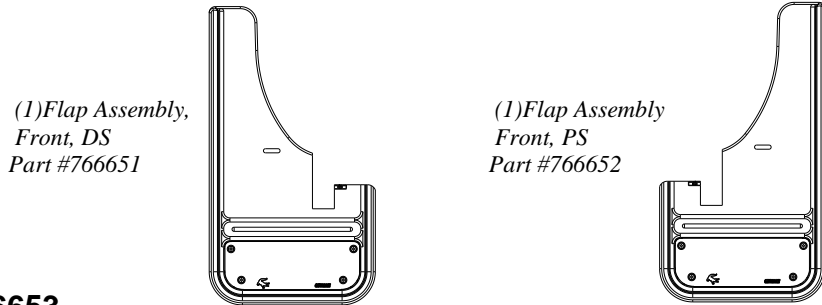
Manufacturer is not responsible for negligent use of vehicle with mud flaps installed, including over-tightening of screws and bolts causing damage to vehicle or mud flaps.



TOOLS REQUIRED-

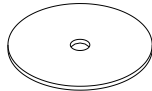


FLAPS



PARTS BAG # 766653

a) (2) Washer, Flat
 0.203" x 1.5", 18GA, SS
 Part #018066



b) (4) Washer, Flat
 0.203" ID x 1" OD, 18ga, SS
 Part #018031



c) (2) Washer, Lock
 18-8SS, Helicoil
 Part #024001



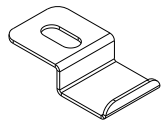
d) (2) Screw, Mach.
 18-8SS, 10-24x1, Hex Hd
 Part # 012022



e) (2) Nut, Hex
 #10-24, SS
 Part # 025003



f) (2) "Z" Clip, w/lip
 0.281" x 1", SS
 Part #018067

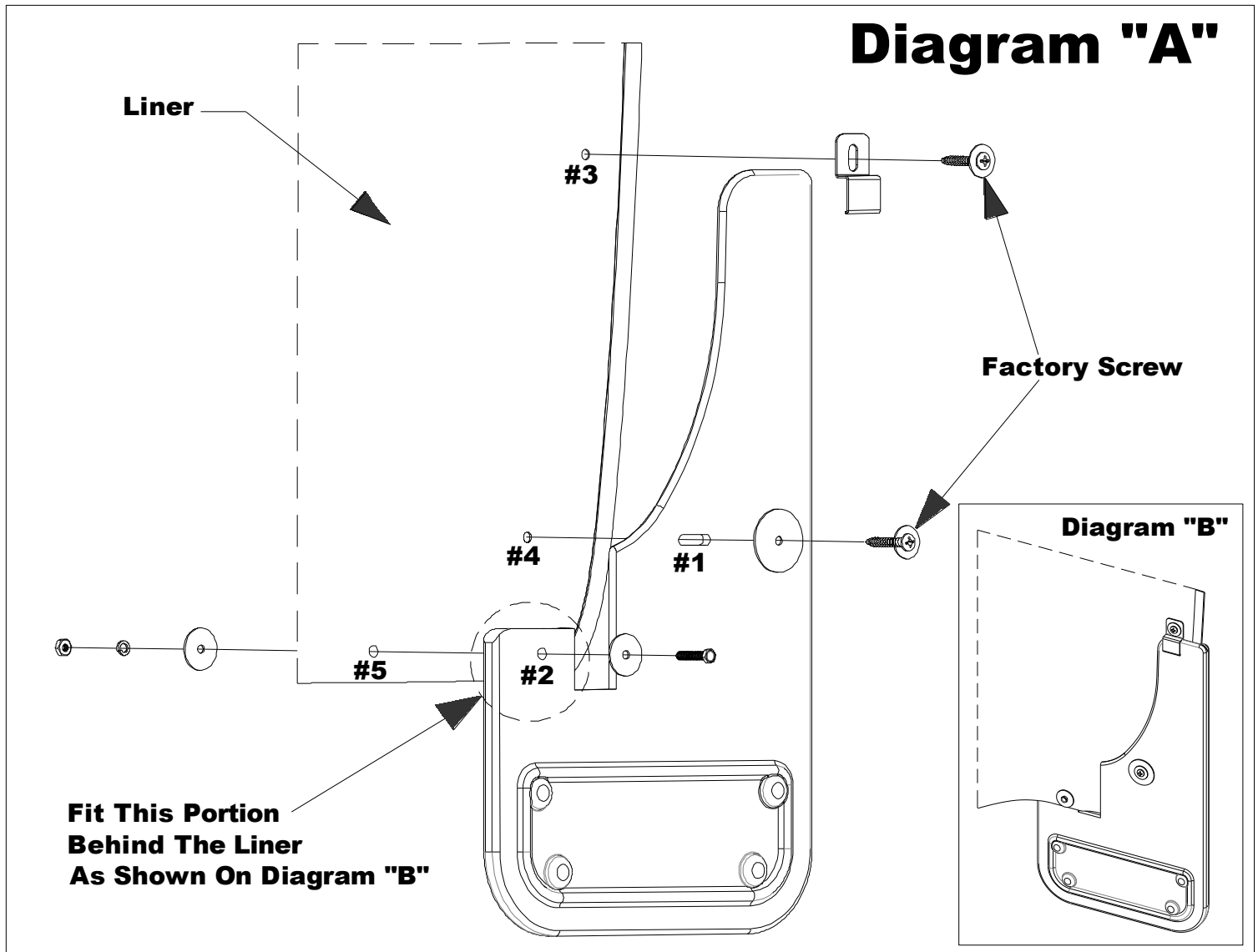


INSTALLATION (For ease of installation it is suggested that the wheel be removed)

1. Before you install your Mud Flap Set, see the diagram and parts list for all necessary parts. Start on the driver's side.
2. Remove the two factory screws from the inner fender using the T15 torx bit.
3. Loosely install the mud flap through hole #1 into the liner hole #4, using a factory screw, and a stainless steel washer (#018066).
4. Ensure that the innermost part of the flap tucks behind the liner as shown in Diagram "B".
5. Install provided "Z" clip to upper factory hole #3 using the factory screw. Secure the clip to the mud flap.



6. Using a bubble level or square, ensure that the mud flap is level. Viewing the vehicle from the back, the outer edge of the mud flap should appear parallel to the tires.
7. Carefully tighten all screws. Ensure that the mud flap is still level.
8. On the innermost part of the flap, drill a ¼" hole through the liner (#5) and mud flap (#2)
9. Install the liner to the flap using the provided bolt (#012022), and a stainless steel washer (#018031), and secure with a stainless steel washer (#018031), a lock washer (#024001) and a hex nut (025003).
10. Repeat procedure for the passenger side.



Please check out our YouTube channel to see an install video for this application.

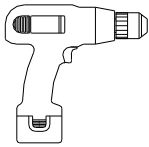


IMPORTANT:

Manufacturer is not responsible for negligent use of vehicle with mud flaps installed, including over-tightening of screws and bolts causing damage to vehicle or mud flaps.

NO-DRILL SYSTEM

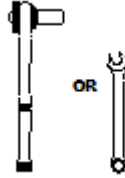
TOOLS REQUIRED-



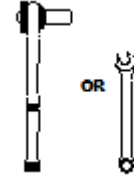
Electric or Rechargeable
Drill



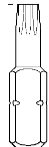
1/4" Drill
Bit



5/16" Open Wrench or
Socket Wrench



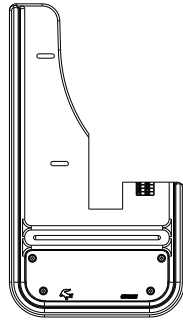
3/8" Open Wrench or
Socket Wrench



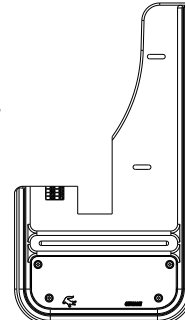
T15 Torx
Bit

FLAPS

(1) Flap Assembly,
Front, DS
Part #766658

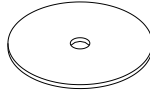


(1) Flap Assembly
Front, PS
Part #766659



PARTS BAG # 766660

a) (4) Washer, Flat
0.203" x 1.5", 18GA, SS
Part #018066



b) (4) Washer, Flat
0.203" ID x 1" OD, 18ga, SS
Part #018031



c) (2) Washer, Lock
18-8SS, Helicoil
Part #024001



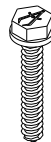
d) (2) Screw, Mach.
18-8SS, 10-24x1, Hex Hd
Part # 012022



e) (2) Nut, Hex
#10-24, SS
Part # 025003



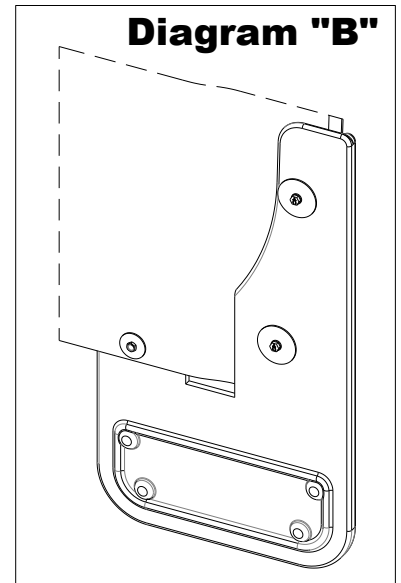
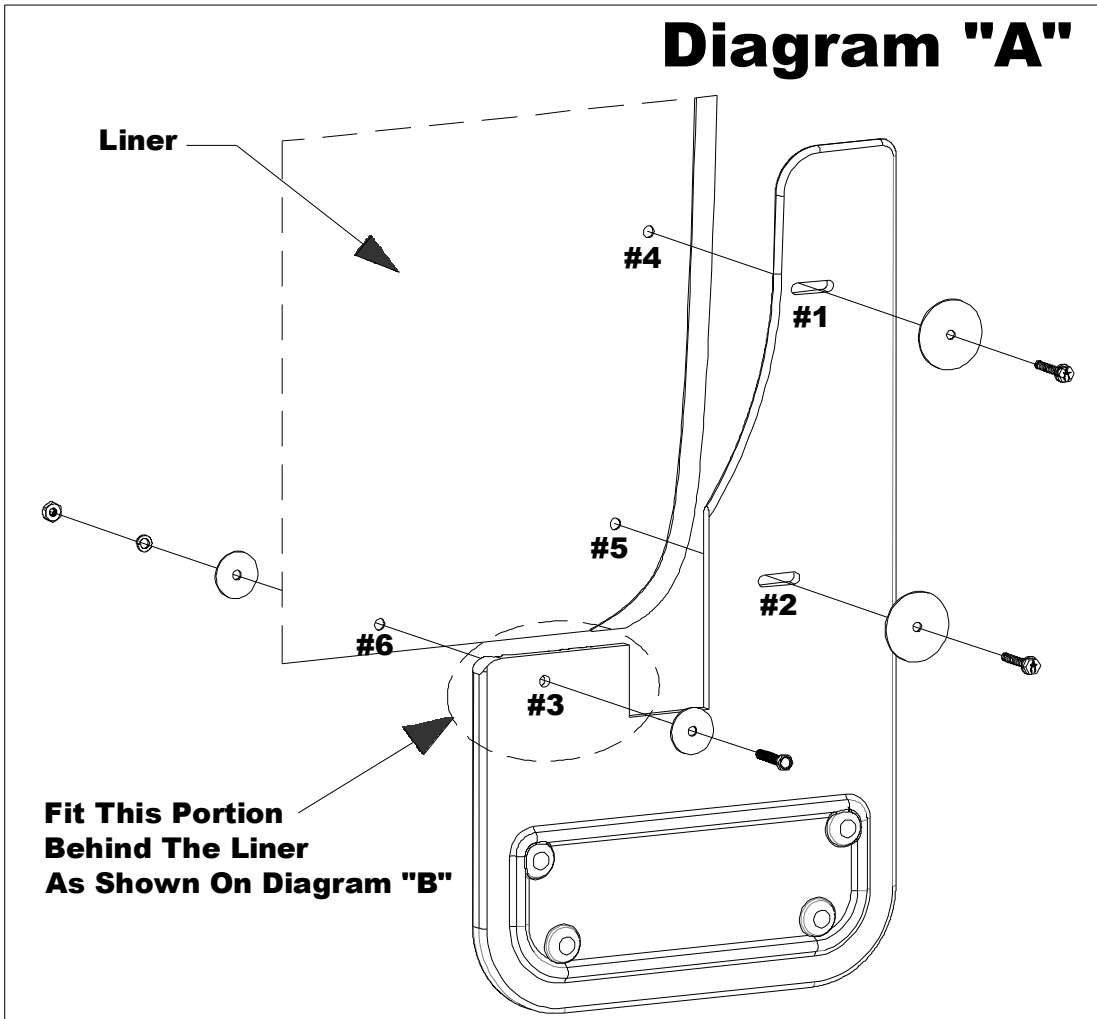
f) (4) Bolt, Hex Flange
M4.2 x 1" Black, SS
Part #016041



INSTALLATION (For ease of installation it is suggested that the wheel be removed)

1. Before you install your Mud Flap Set, see the diagram and parts list for all necessary parts. Start on the driver's side.
2. Remove 2 factory bolts from the fender
3. Secure flap through holes #1 and #2 to fender holes #4 and #5 using a stainless steel bolt (#016041) and a stainless steel washer (#018066). Ensure that the innermost part of the flap is tucked behind the fender liner as shown in Diagram B. Loosely secure at this point.

4. Drill a 1/4" hole through the mud flap (#3) and liner (#6).
5. Secure the mud flap to the liner using a machine screw (#012022), two stainless steel washers (#018031), a lock washer (#024001) and a hex nut (#025003).
6. Using a bubble level or square, ensure that the mud flap is level. Viewing the vehicle from the back, the outer edge of the mud flap should appear parallel to the tires
7. Carefully tighten all fasteners and ensure that the flap has remained level.
6. Repeat procedure for the passenger side.



Please check out our YouTube channel to see an install video for this application.

