



2009-2018 Ram  
 No-Drill Front Rubber Mud Flap Set  
 Mounting Diagram & Instructions  
 Kit's # GCR31F / GCR32F

**IMPORTANT:**

*Manufacturer is not responsible for negligent use of vehicle with mud flaps installed, including over-tightening of screws and bolts causing damage to vehicle or mud flaps.*

**NO-DRILL SYSTEM**

**TOOLS REQUIRED**



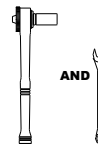
*Electric or Chargeable  
 1/2" or 3/8" Drill*



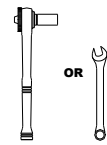
*3/8" Socket Driver*



*1/4" Drill Bit*



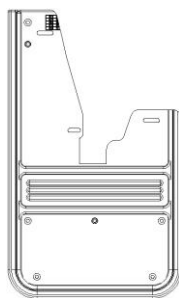
*5/16 & 3/8" Open End  
 Wrench & Socket Wrench*



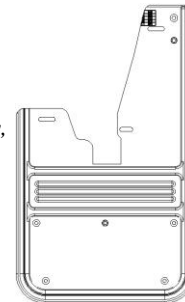
*10mm open end or  
 Socket Wrench*

**FLAPS**

*(1) Flap Assembly,  
 Front, DS*



*(1) Flap Assembly,  
 Front, PS*



**PARTS BAG # 766126**

*a) (8) Washer, Flat  
 0.203" x 1", SS  
 Part #018031*



*b) (2) Washer, Lock  
 #10, Helicoil, SS  
 Part #024001*



*c) (2) Hex Nut  
 #10, SS  
 Part #025003*

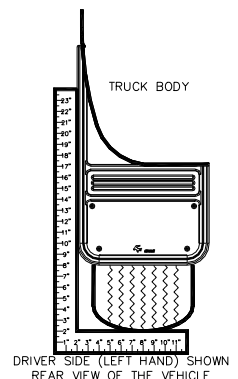


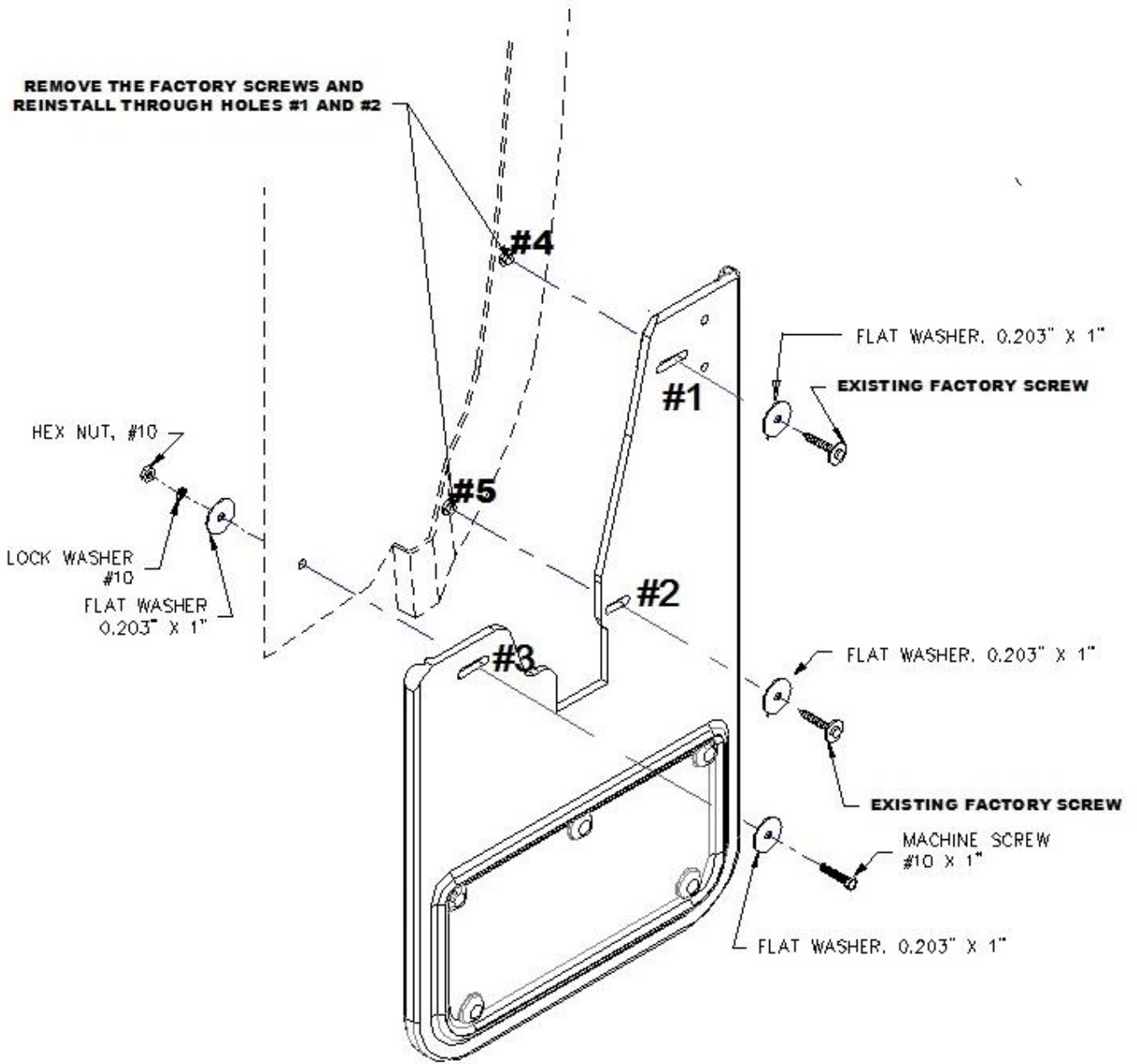
*d) (2) Mach. Screw  
 #10-24 x 1", SS  
 Part #012022*



**INSTALLATION**

1. Before you install your Gatorback Mud Flap, see the diagram and parts list for all necessary parts.
2. Remove two (2) factory screws #4 & #5. Using the two (2) factory screws and included washers, reinstall on holes #1 & #2. Loosely secure at this point.
3. Square the flap with the tire, while putting pressure against the wheel well, then tighten the two (2) factory screws #4 & #5.
4. Hold flap tight against wheel well and drill 1/4" hole (1), from the center of the slotted hole #3 through the factory plastic liner. Secure the flap with one (1) machine screw #012022, two (2) flat washers #018031, one (1) lock washer #024001 and one (1) hex nut #025003.
5. Repeat procedure for passenger side.





Please check out our YouTube channel to see an install video for this application.

