



## C-529 SUBKIT

## DODGE RAM 2500, 3500

30,000 LBS GTW GOOSENECK KIT

**WARNING!!** BRAKE, FUEL, AND ELECTRICAL LINES MAY NEED TO BE LOOSENED OR REPOSITIONED TO PROVIDE CLEARANCE FOR NEW HARDWARE.  
ALL MODELS REQUIRE MODIFICATION OR REMOVAL OF HEAT SHIELDS

### INSTALLATION STEPS

\*\*REMOVE SPARE TIRE FOR INSTALLATION\*\*

\*\*FOR MEGA CAB INSTALLATIONS, REPLACE REAR MOST EXHAUST HANGER WITH CM-C655-EH (CURT SUPPLIED HANGER)\*\*

- 1) Install cross arms by inserting them between the shock and spring. **(See figure 1.)** Slide leading end into the gap between truck bed and frame on the passenger side. Swing the other end into the gap between truck bed and frame on the driver's side. **(Note: Holes in the cross arms must face truck bed with cross arm flanges out as shown in Figure 2.)**
- 2) Remove the emergency brake cable hanger on the driver's side frame rail. Position the side plates by hanging them from the 5/8" welded studs which extend from the cross arms. Fasten each plate with two 5/8" flange nuts provided. Finger tight only.
- 3) Use an 1 1/2" hole saw to drill an access hole through the bottom of the truck frame. Drill access hole above rear axle, just behind the rubber axle stops. Drill hole on both sides of vehicle as shown in **Figure 2.**
- 4) Fishwire 5/8" carriage bolts and spacers through the previously drilled access holes. Pull carriage bolt threads out existing frame hole toward the front of truck, each side. Place a 5/8" washer between side plate and frame when pulling fishwire out through the side plates as shown in **Figure 2.** Secure each plate in place with a 5/8" flange nut. Finger tight only.
- 5) Rotate cross arms until they contact the truck bed. Push the rear of side plates up tight and level to the truck bed. Clamp the side plates to the frame. **(Note: Do not drill remaining side plate mounting holes at this time.)**
- 6) Center the rear cross arm studs in the side plate slots as shown in **Figure 3.** Use a 15/16" wrench to tighten the 5/8" flange nuts, on rear cross arm, to the side plates. Use the 6 1/2" tube spacer provided to evenly space the cross arms as shown in **Figure 2.** Tighten the 5/8" flange nuts on the front cross arm to hold spacing. **(Note: Cross arms must be rotated vertical to truck bed as shown in Figure 2.)**
- 7) With cross arms tight and evenly spaced, drill a hole through the truck bed at the center of each cross arm mounting hole.
- 8) From inside the truck bed, center the six pilot holes with the letter "A" on the C-52 cutting template. Fasten the template to the truck bed with tape. Once fastened, drill four 1/8" pilot holes through section lettered "B". **(Be sure to check for brake lines and/or fuel lines before drilling.)**
- 9) With the pilot holes drilled, use a sabre saw to cut out section "C".

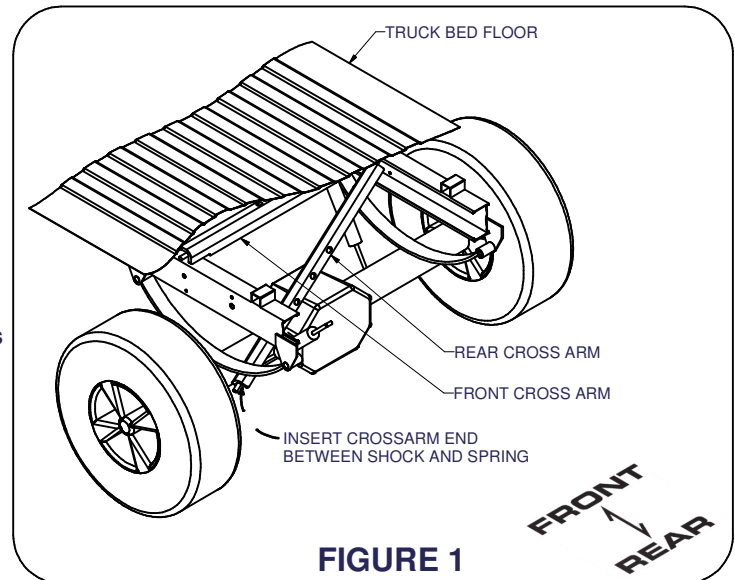


FIGURE 1

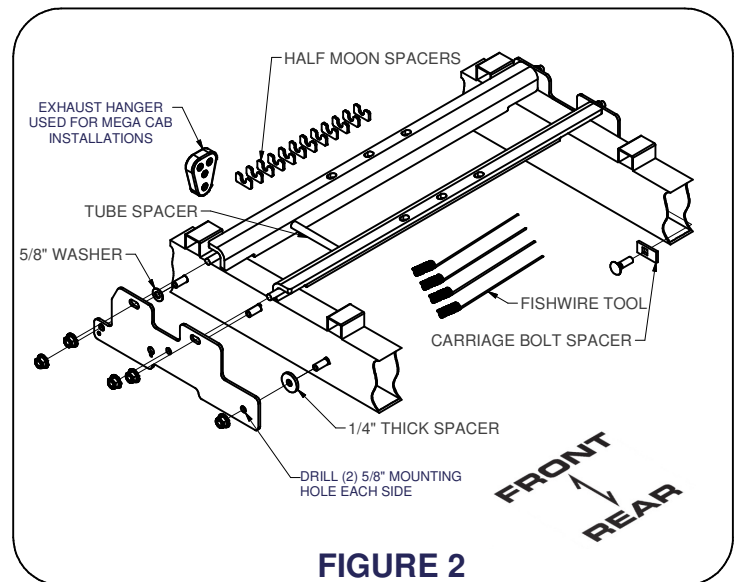


FIGURE 2

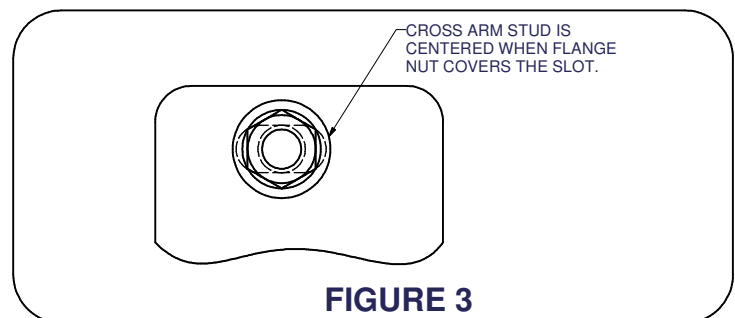


FIGURE 3

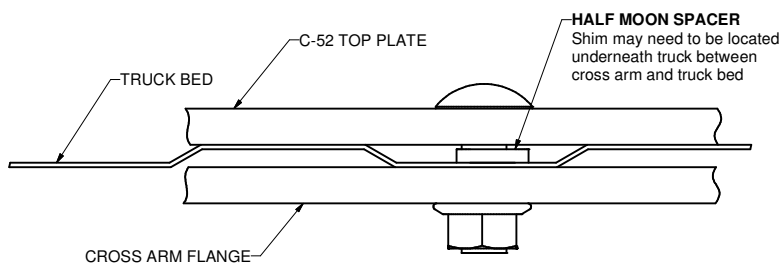
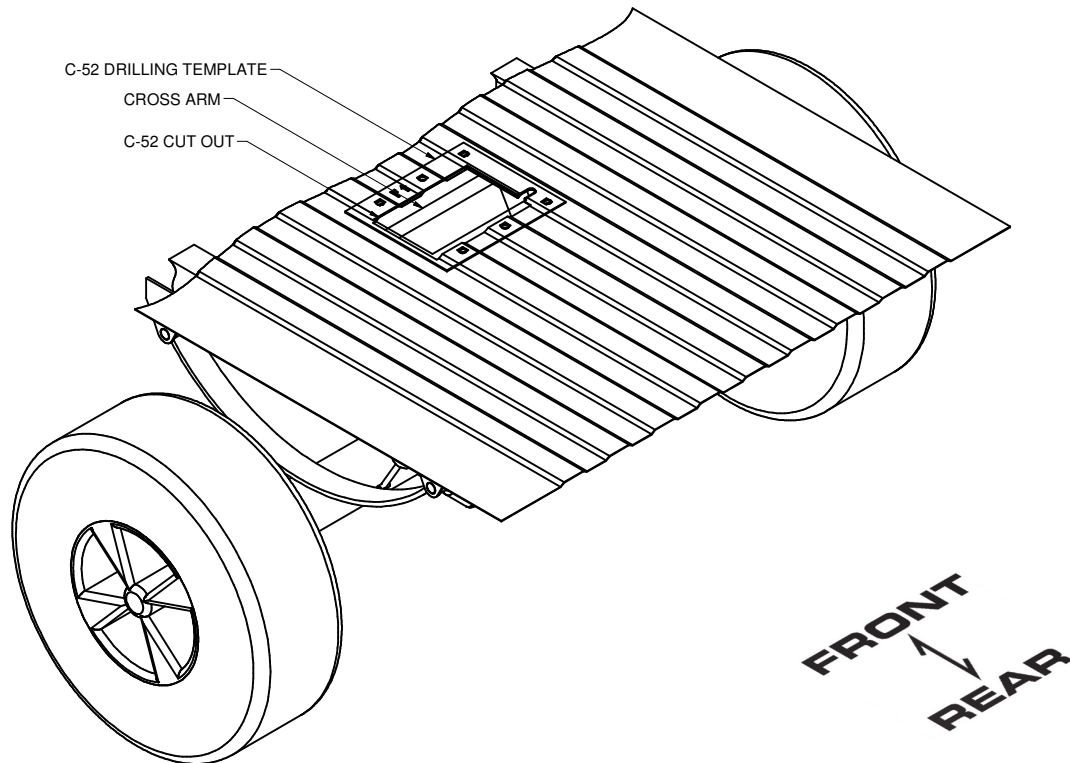
Curt Manufacturing Inc., warrants this product to be free of defects in material or workmanship at the time of retail purchase by the original purchaser. If the product is found to be defective, Curt Manufacturing Inc., may repair or replace the product, at their option, when the product is returned, prepaid, with proof of purchase. Alteration to, misuse of, or improper installation of this product voids the warrant. Curt Manufacturing Inc.'s liability is limited to repair or replacement of products found to be defective, and specifically excludes liability for incidental or consequential loss or damage.

**C-529 SUBKIT****DODGE RAM 2500, 3500**

30,000 LBS GTW GOOSENECK KIT

**INSTALLATION STEPS CONT.**

- 10) Remove template and drill out the six pilot holes with a 21/32" drill bit. Set your C-52 folding hitch ball into place.
- 11) Attach the C-52 to the cross arms using six 5/8" carriage bolts and flange nuts. Torque bolts to 210 lb-ft. **(Note: Shims (Half moon spacers) must be placed under each bolt between cross arms and C-52 to prevent truck bed corrugations from collapsing.)**
- 12) After the C-52 has been fastened to the cross arms, torque all 5/8" hardware to 210 lb-ft.
- 13) Using side plate as a template, drill remaining mounting holes with an 11/16" drill bit.
- 14) Fishwire remaining 5/8" hardware and torque to 210 lb-ft.

**PARTS LIST**

- (6) 5/8-11 x 2" Carriage Bolt
- (10) 5/8-11 Flange Nut
- (2) 5/8" Washers
- (6) Installation Spacer (CM-SP9)
- (2) Installation Spacer (CM-SP47)
- (12) Half Moon Spacer (CM-SP27)
- (4) 5/8" Fishwire Tool
- (1) Tube Spacer (CM-TS)
- (1) CM-C655-EH (Exhaust Hanger)

Curt Manufacturing Inc., warrants this product to be free of defects in material or workmanship at the time of retail purchase by the original purchaser. If the product is found to be defective, Curt Manufacturing Inc., may repair or replace the product, at their option, when the product is returned, prepaid, with proof of purchase. Alteration to, misuse of, or improper installation of this product voids the warrant. Curt Manufacturing Inc.'s liability is limited to repair or replacement of products found to be defective, and specifically excludes liability for incidental or consequential loss or damage.