

**PASSENGER SIDE RIDE HEIGHT SENSOR RELOCATION BRACKETS**

**⚠ IMPORTANT:** Only models equipped with Rear Suspension Height Sensors require sensor relocation using Relocation Brackets. Relocation Brackets are **not to be installed if vehicle is not equipped with sensor\***

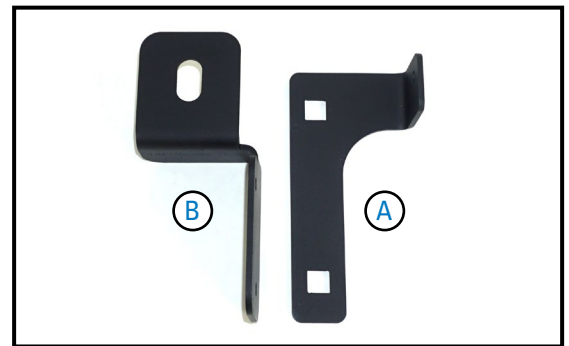
*\*Vehicles equipped with CCD (Continuously Controlled Dampening) require rear height sensor relocation on both the driver and passenger side.*

This manual covers the installation of the Ride Height Sensor Relocation Brackets on the Passenger Side of the vehicle only. Air Spring kits include the Drive Side Brackets.

**KIT CONTENTS**

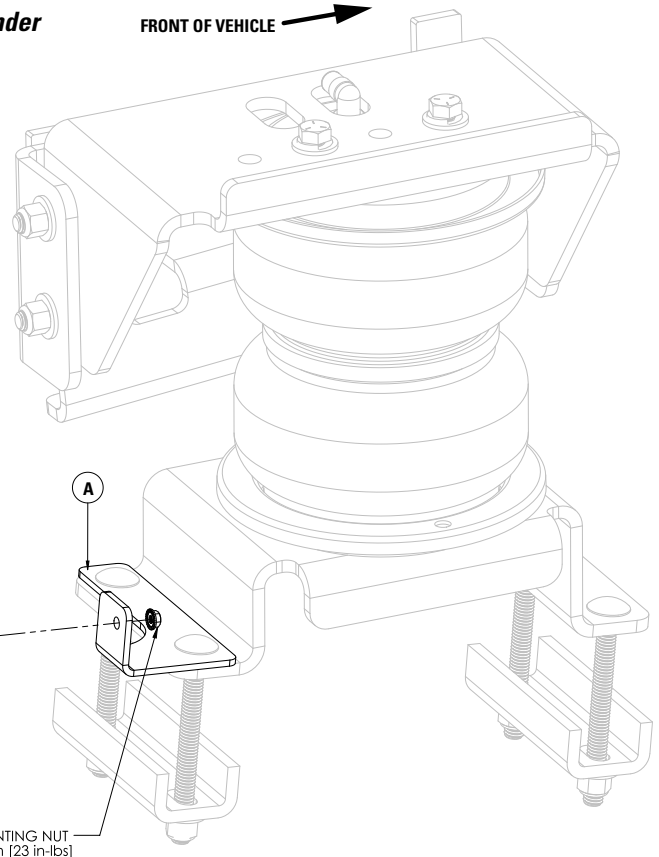
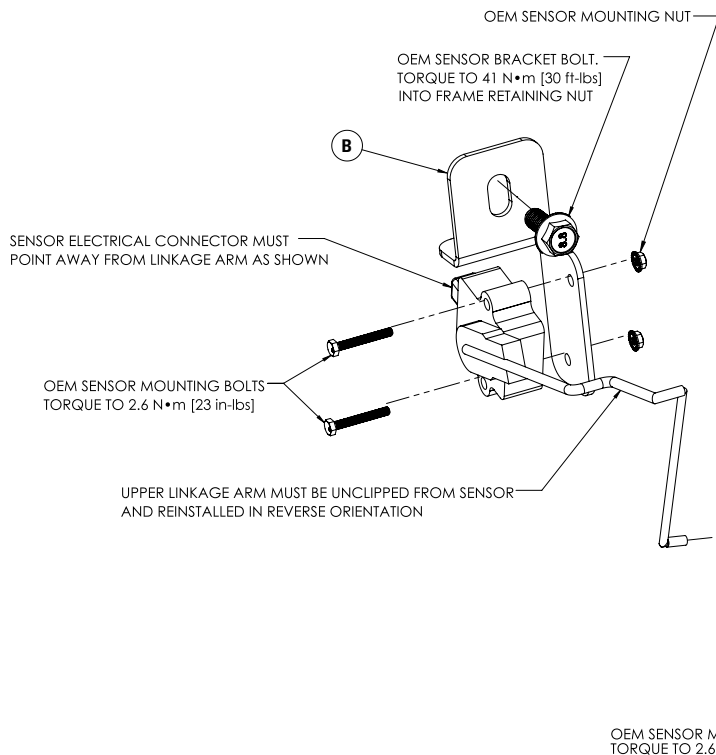
Reference the kit explosion diagram below for part assembly.

KIT CONTENTS		QTY	PART #
<b>A</b>	Bracket, Sensor Relocation Lower, Passenger	1	HP1950
<b>B</b>	Bracket, Sensor Relocation Upper, Passenger	1	HP1951



**PASSENGER SIDE ASSEMBLY SHOWN:**

**⚠ PLEASE NOTE:** Do not operate vehicle with sensor in relocated position with air springs removed. Sensors may be damaged under extreme suspension articulation.



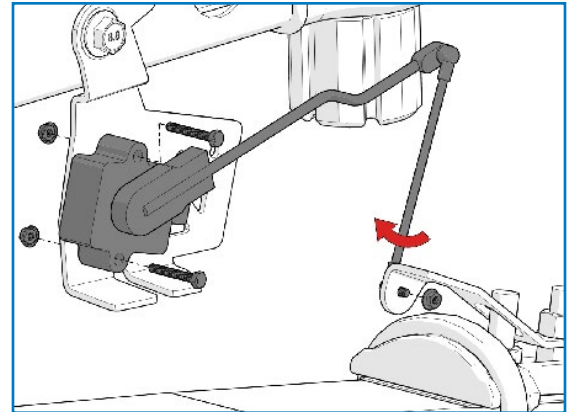
## 1 RIDE HEIGHT SENSOR REMOVAL

### Remove Ride Height Sensor (use Figure 1A for reference):

Disconnect the electrical harness connector from the ride height sensor. Remove the two factory bolts and two nuts holding the ride height sensor to the factory upper bracket (as shown in Figure 1A).

Remove the factory nut securing the lower linkage to the lower factory bracket (see Figure 1A).

Retain these parts.



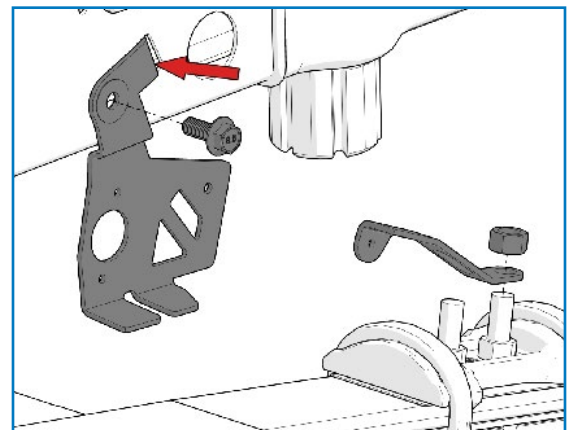
1A

### Remove Upper & Lower OEM Brackets (use Figure 1B for reference):

Remove the factory bolt securing factory upper bracket to the frame. Retain this bolt.

Remove upper bracket from square hole (indicated by arrow) and remove from vehicle. **Do NOT remove the bracket retaining nut from the frame.** This will be used during sensor relocation bracket installation

Remove factory nut securing factory lower bracket to leaf spring pack and remove factory lower bracket.



1B

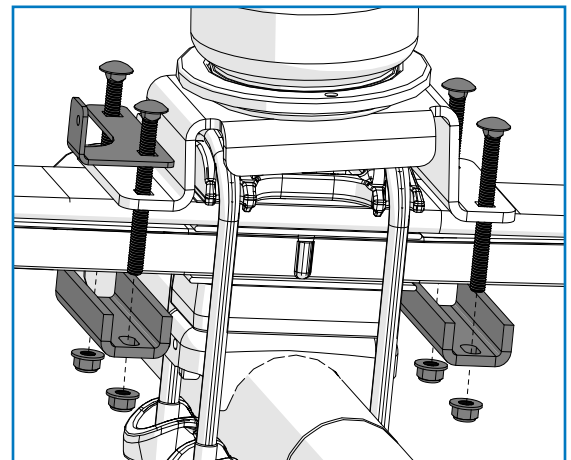
## 2 LOWER BRACKET FOR RIDE HEIGHT SENSOR

### Before securing the air spring bracket, place lower sensor relocation bracket as shown (see Figure 2 for reference).

Insert two 3/8" – 16 x 4" carriage bolts through these, as well as two carriage bolts on the other side of the air spring lower bracket.

Secure using two leaf spring clamp bars, four 3/8"– 16 nylon lock flange nut.

Torque nuts to 27 N•m [20 ft-lb]



2

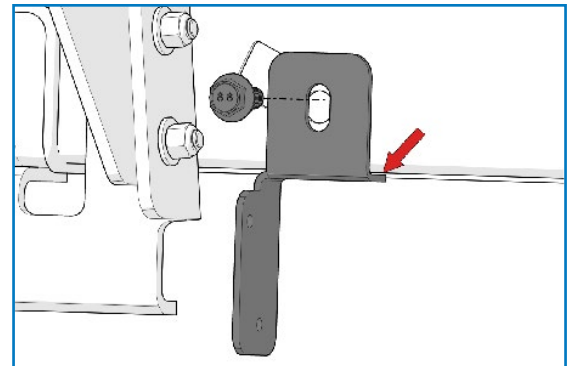
### 3 RIDE HEIGHT SENSOR REINSTALL

#### Install Sensor Upper Bracket (use Figure 3A for reference):

Place upper sensor bracket onto frame, ensuring that the base of the flange is level with the bottom of the frame (shown by arrow).

Secure using factory bolt, into the hole it previously occupied.

Torque bolt to 41 N•m [30 ft-lb]

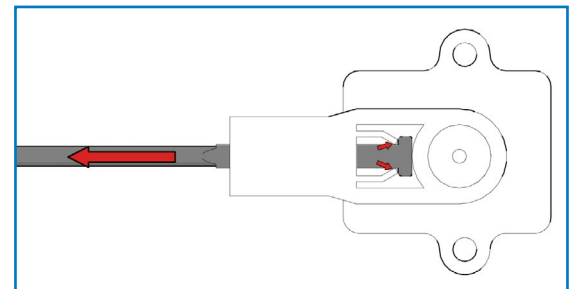


3A

#### Pull Linkage Out (use Figure 3B for reference):

Use a flat head screwdriver to ease apart tabs holding upper link in place, indicated by the small arrows in the image.

While these are pushed apart, the upper link can be pulled out of the ride height sensor as shown.

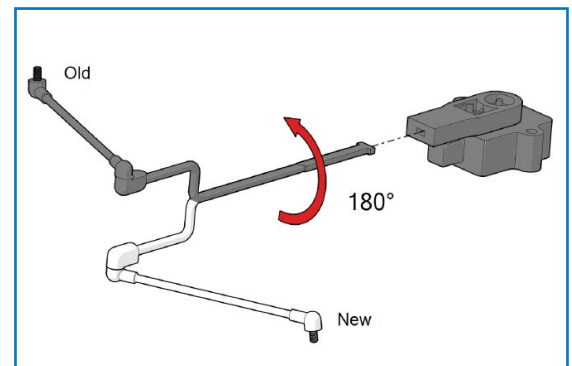


3B

#### Flip Linkage And Reinstall (use Figure 3C for reference):

Flip linkage assembly 180°, then insert back into ride height sensor.

Push to ensure that upper link is locked into place (tab mechanism)



3C

#### Install Sensor (use Figure 3D for reference):

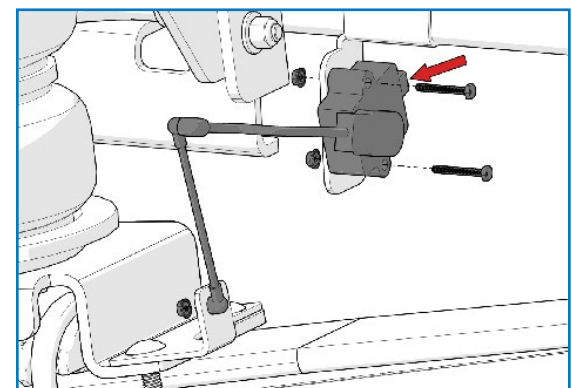
Install sensor utilizing the factory components that were previously removed.

Insert the two factory bolts through the sensor into the upper bracket, ensuring that the connector (indicated by arrow) points away from the linkage arm.

Secure with the two factory nuts. Use the third factory nut to secure the lower linkage to the lower bracket as shown.

Tighten nuts to 2.6 N•m [23 in-lb]

Reconnect the factory harness electrical connector to the sensor. Ensure connector fully latches upon installation.



3D

**Continue with the installation instructions included in your kit.**