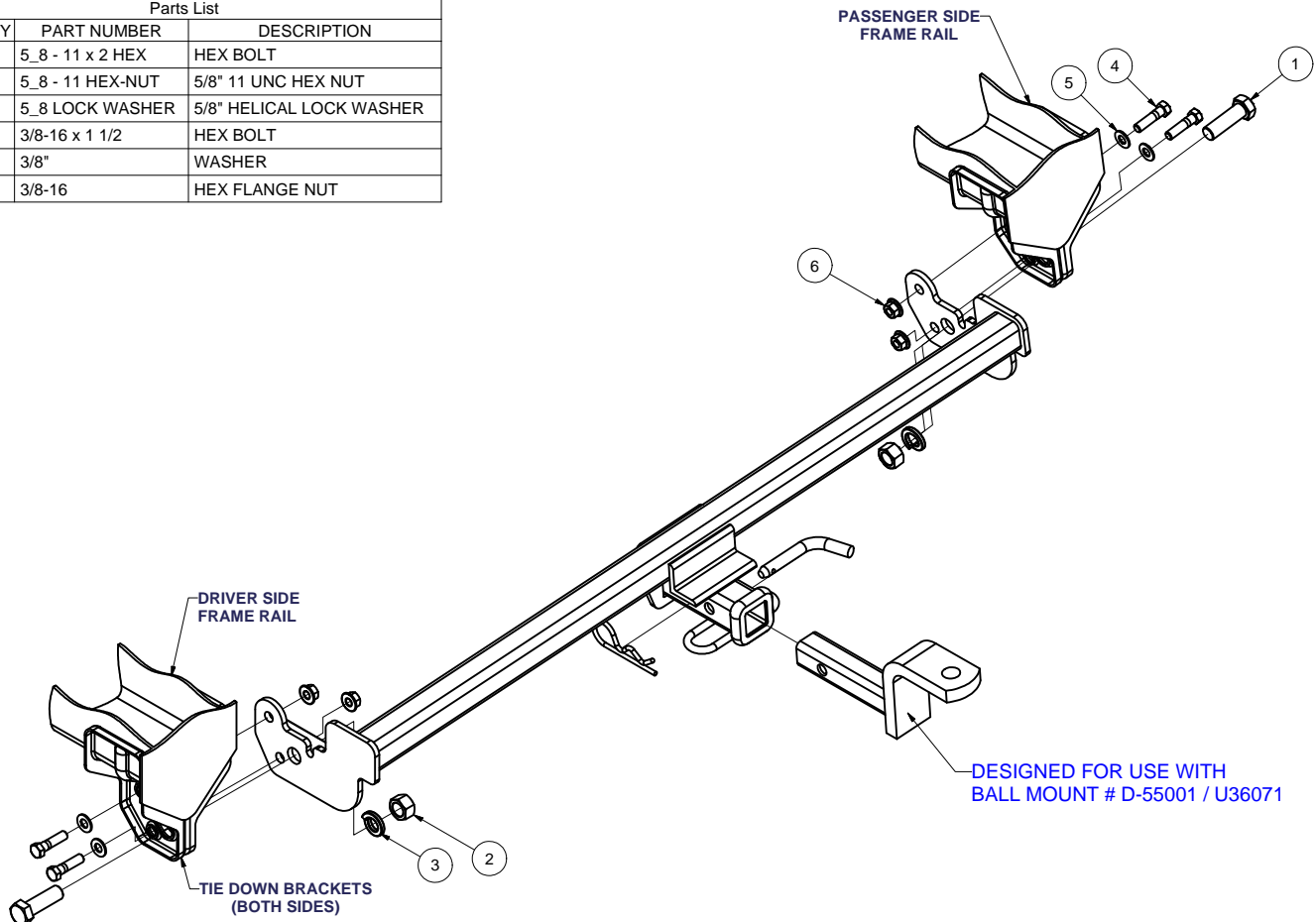


**11050 / 247050****TOYOTA YARIS 2 DOOR & HATCHBACK**

8/14/2007

VISIT [WWW.HITCHINFO.COM](http://WWW.HITCHINFO.COM) FOR CURRENT APPLICATION COVERAGE,  
INSTALLATION SUPPORT AND BENEFICIAL TOWING INFORMATION**GROSS LOAD CAPACITY WHEN USED AS A WEIGHT CARRYING HITCH: 2,000 LBS. TRAILER WEIGHT & 200 LBS. TONGUE WEIGHT.**  
\*\*\*DO NOT EXCEED VEHICLE MANUFACTURER'S RECOMMENDED TOWING CAPACITY.\*\*\*

| Parts List |     |                  |                          |
|------------|-----|------------------|--------------------------|
| ITEM       | QTY | PART NUMBER      | DESCRIPTION              |
| 1          | 2   | 5_8 - 11 x 2 HEX | HEX BOLT                 |
| 2          | 2   | 5_8 - 11 HEX-NUT | 5/8" 11 UNC HEX NUT      |
| 3          | 2   | 5_8 LOCK WASHER  | 5/8" HELICAL LOCK WASHER |
| 4          | 4   | 3/8-16 x 1 1/2   | HEX BOLT                 |
| 5          | 4   | 3/8"             | WASHER                   |
| 6          | 4   | 3/8-16           | HEX FLANGE NUT           |

HITCH WEIGHT: 23 LBS.INSTALL TIME: 35 MINUTES

INSTALL NOTES:

- UNFASTEN LOWER FASCIA
- NO DRILLING REQUIRED

**NOTE:**  
HITCH ATTACHES TO THE TIE-DOWN  
BRACKETS ON BOTH SIDES

**INSTALLATION STEPS**

- 1) Bend middle tab of trunk pan down or cut off and discard.
- 2) Remove (2) plastic bumper fascia tab fasteners.
- 3) Raise hitch into position and install supplied fasteners as shown.
- 4) Torque all 3/8" fasteners to 30 lb-ft and all 5/8" fasteners to 150 lb-ft.
- 5) Re-install bumper fascia tabs to original position.

PERIODICALLY CHECK THIS RECEIVER HITCH TO ENSURE THAT ALL FASTENERS  
ARE TIGHT AND THAT ALL STRUCTURAL COMPONENTS ARE SOUND.

Curt Manufacturing Inc., warrants this product to be free of defects in material and/or workmanship at the time of retail purchase by the original purchaser. If the product is found to be defective, Curt Manufacturing Inc., may repair or replace the product, at their option, when the product is returned, prepaid, with proof of purchase. Alteration to, misuse of, or improper installation of this product voids the warranty. Curt Manufacturing Inc.'s liability is limited to repair or replacement of products found to be defective, and specifically excludes liability for incidental or consequential loss or damage.

9/28/2006