

11054**1998-2005 VOLKSWAGEN PASSAT SEDAN & WAGON, EXCEPT 4 MOTION****2/17/2009****GROSS LOAD CAPACITY WHEN USED AS A WEIGHT CARRYING HITCH: 2,000 LBS. TRAILER WEIGHT & 200 LBS. TONGUE WEIGHT.**

DO NOT EXCEED VEHICLE MANUFACTURER'S RECOMMENDED TOWING CAPACITY.

WARNING: ALL NON-TRAILER LOADS APPLIED TO THIS PRODUCT MUST BE SUPPORTED BY AUXILIARY STABILIZING STRAPS.

** FAILURE TO PROPERLY SUPPORT NON-TRAILER LOADS WILL VOID PRODUCT WARRANTY**

HAVING INSTALLATION QUESTIONS? CALL TECHNICAL SUPPORT AT 1-800-798-0813

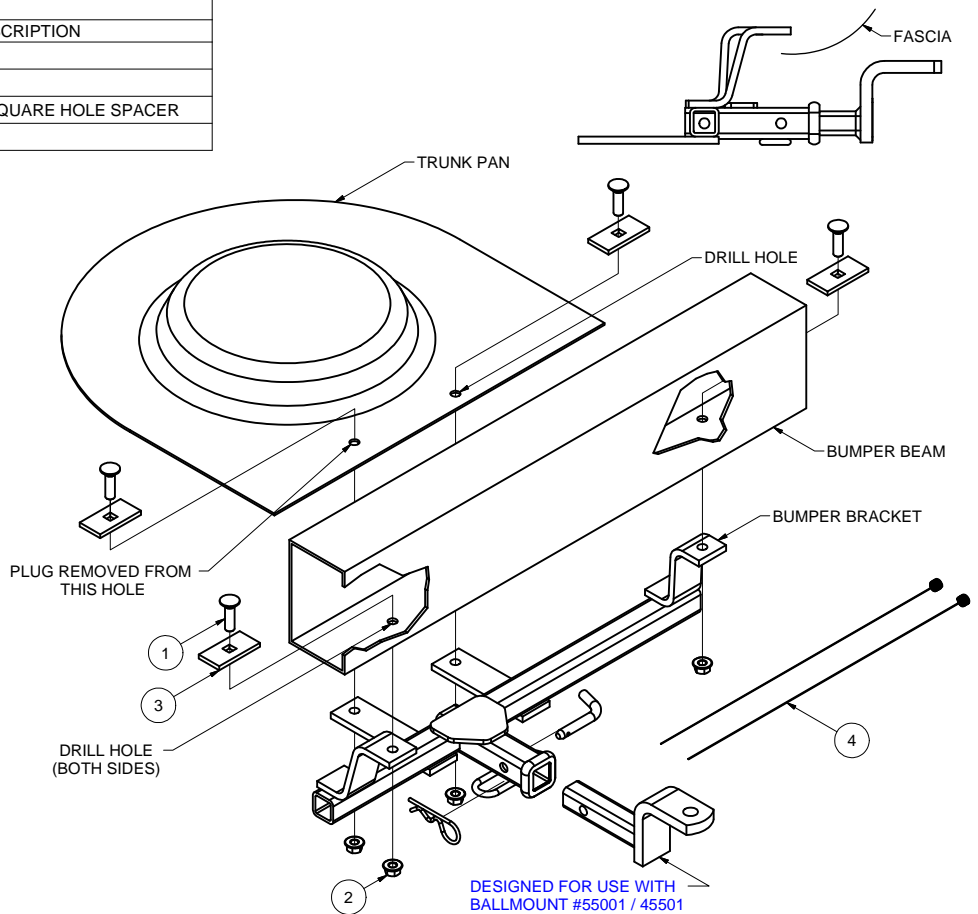
Parts List			
ITEM	QTY	PART NUMBER	DESCRIPTION
1	4	1/2-13 x 1 3/4	CARRIAGE BOLT
2	4	HFN 1213	HEX FLANGE NUT
3	4	CM-SP4	.250 x 1.50 x 3.00" SQUARE HOLE SPACER
4	2	1_2 FISHWIRE	1/2" FISHWIRE

TOOLS REQUIRED	
SOCKET WRENCH	
3/4" SOCKET	
TORX HEAD T-25	
TORX HEAD T-27	
10mm SOCKET	
TORQUE WRENCH	
DRILL	
17/32" DRILL BIT	
SILICONE SEALANT	

FISHWIRE TECHNIQUE

INSERT COILED END OF FISHWIRE TOOL THROUGH HITCH MOUNTING HOLE IN VEHICLE FRAME RAIL AND OUT THE ACCESS HOLE. PASS COILED END OF FISHWIRE THROUGH SPACER AND THREAD BOLT INTO COIL. KINK WIRE TO KEEP SPACER SEPERATE FROM BOLT AS SHOWN. PULL FISHWIRE, SPACER, AND BOLT THROUGH FRAME AND OUT MOUNTING HOLE. USE FISHWIRE TO GUIDE HITCH DURING MOUNTING AND PREVENT LOSS OF BOLT / SPACER INSIDE FRAME RAIL.

NOTE: SOME VEHICLES MAY FISHWIRE THROUGH END OF FRAME

HITCH WEIGHT: 22 LBS.INSTALL TIME: 40 MINUTES

INSTALL NOTES:

- REMOVE SPARE TIRE
- DRILLING REQUIRED
- SEAL TRUNK
- FASCIA TRIMMING REQUIRED

INSTALLATION STEPS

1. Remove spare tire from vehicle and remove plug located in trunk pan.
2. Remove plastic cover on passenger side that attaches vehicle fascia to trunk pan. Return cover and hardware to vehicle owner.
3. Center hitch under vehicle and trim passenger side fascia to clear hitch bumper bracket.
4. Secure hitch with 1/2" hardware and CM-SP4 spacer through existing hole of plug removed in Step 1. Using hitch as a template drill a 17/32" hole in trunk pan and install remaining 1/2" hardware through trunk pan.
5. Using hitch as a template, drill two (2) holes in vehicle bumper beam. Secure hitch with 1/2" hardware and CM-SP4 spacers as shown.
Note: Wagon models require fishwiring bumper hardware through ends of bumper.
6. Torque 1/2" hardware to 75 lb-ft. Seal trunk pan holes with silicone sealant.
7. Return spare tire to vehicle.

PERIODICALLY CHECK THIS RECEIVER HITCH TO ENSURE THAT ALL FASTENERS ARE TIGHT AND THAT ALL STRUCTURAL COMPONENTS ARE SOUND.

Curt Manufacturing Inc., warrants this product to be free of defects in material and/or workmanship at the time of retail purchase by the original purchaser. If the product is found to be defective, Curt Manufacturing Inc., may repair or replace the product, at their option, when the product is returned, prepaid, with proof of purchase. Alteration to, misuse of, or improper installation of this product voids the warranty. Curt Manufacturing Inc.'s liability is limited to repair or replacement of products found to be defective, and specifically excludes liability for incidental or consequential loss or damage.