

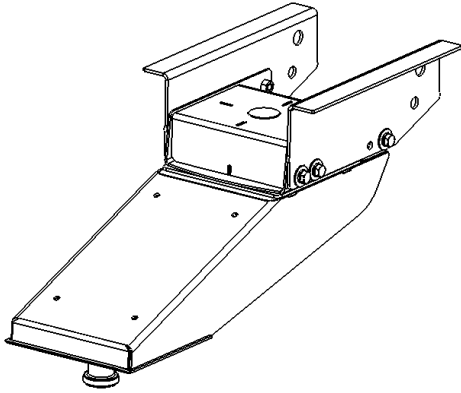
# 16K Reese Revolution

## Operating Instructions



# Operating Instructions

## 16K Reese Revolution



### PIN BOX SHOWN ASSEMBLED

#### Equipment Required:

**Wrenches:** 15/16", 1 1/8"

**Drill Bits:** Not Required

White Lithium Grease, Torque Wrench

#### DEALER:

(1) Provide this Manual to end user

#### END USER:

(1) Read and follow this Manual every time you use Sidewinder.

(2) Save this Manual for Future Reference.

(3) Pass on copies of Manual to any other users or owner.

**Do Not Exceed Lower of Towing Vehicle Manufacturer's Rating,  
Trailer Manufacturer's Rating or**

| Max Gross Trailer WT (LB) | Max Pin WT (LB) |
|---------------------------|-----------------|
| <b>16,000 LB</b>          | <b>3,200 LB</b> |

|    |          |  |
|----|----------|--|
| 1  | Qty. (1) | Upper Turret                                     |
| 2  | Qty. (1) | Wear Plate                                       |
| 3  | Qty. (1) | Revolution Arm                                   |
| 4  | Qty. (1) | Universal Wedge*                                 |
| 5  | Qty. (1) | Pivot Bushing                                    |
| 6  | Qty. (2) | 3/4" – 10 Hex Nut                                |
| 7  | Qty. (2) | 3/4" Conical Washer                              |
| 8  | Qty. (2) | 3/4"-10x2 Grade 5 Hex Bolt                       |
| 9  | Qty. (1) | Bearing Cup                                      |
| 10 | Qty. (1) | Bearing Cone                                     |
| 11 | Qty. (1) | Shaft Washer                                     |
| 12 | Qty. (1) | 1/4" x 3 Cotter Pin                              |
| 13 | Qty. (1) | 1 1/2 - 12 Castle Hex Nut                        |
| 14 | Qty. (2) | Bolt, 5/8"-11 X 1 3/4" Grade 5 Hex Bolt w/ Nylon |
| 15 | Qty. (2) | 5/8" Conical Washer                              |

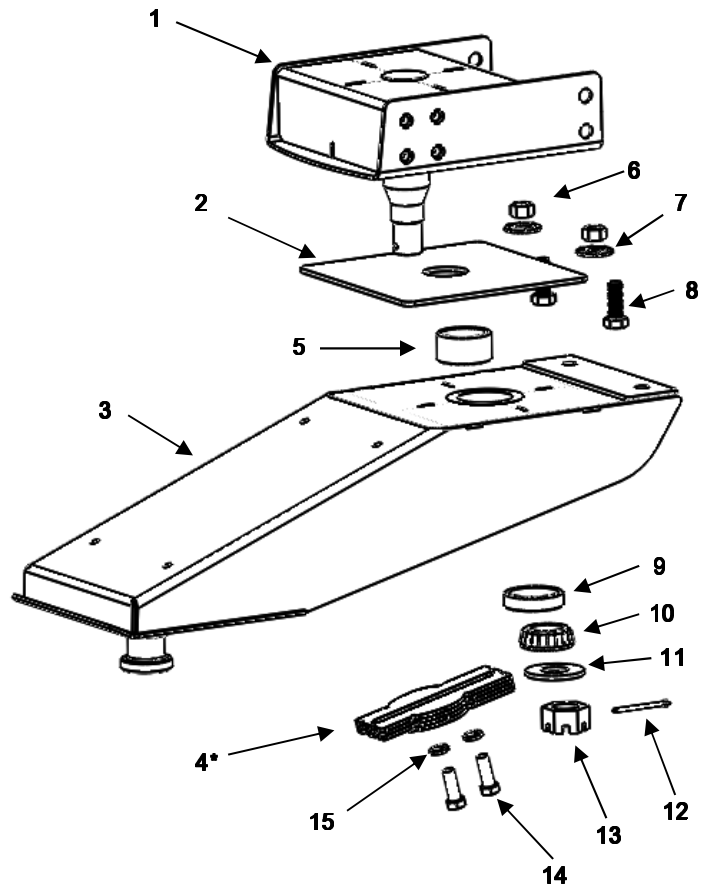


Figure 1

### INDEX

|  |        |
|--|--------|
| 1. CLEARANCE CHECK & GUIDELINES FOR MATCHING TOW VEHICLE AND TRAILER | P. 2   |
| 2. LOCK OUT BOLTS INSTRUCTIONS                                       | P. 3   |
| 3. WEDGE ADJUSTMENT/SELECTION  | P. 4-5 |
| 4. HOOK-UP & PULL TEST PROCEDURE                                     | P. 6   |
| 5. UNHOOKING   | P. 7   |
| 6. BEFORE EACH TRIP & MAINTENANCE                                    | P. 8   |
| 7. 5 YEAR LIMITED WARRANTY   | P. 8   |

**⚠ WARNING:**  
Failure to follow all of these instructions may result in death or serious injury!

# Operating Instructions

## 16K Reese Revolution

### Pre Hook-up Clearance Check

#### I. Cab Clearance

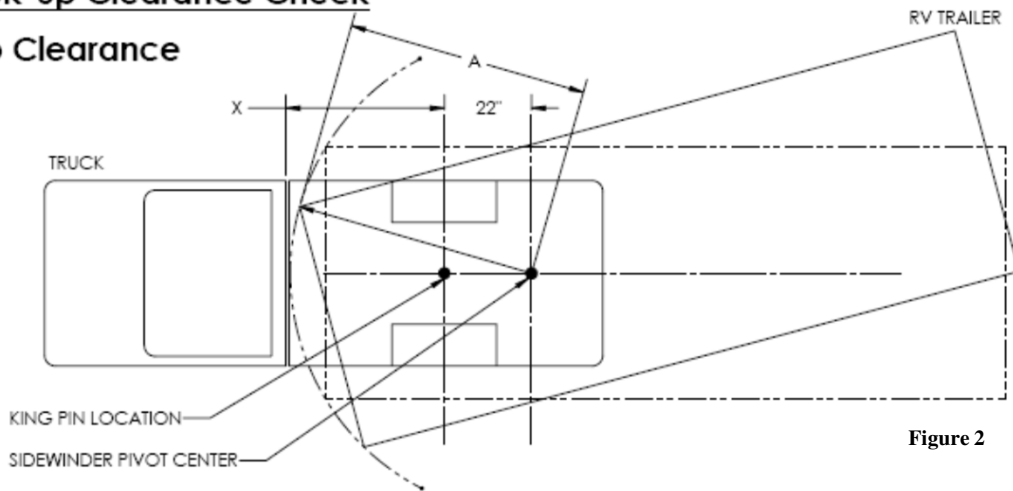


Figure 2

Measure Distance “A”: From Center of Revolution pivot to farthest point on coach front cap.

Measure Distance “X”: From King Pin to the rear of the truck cab.

If Distance “X” + 24” is Greater Than Distance “A” Towing up to 90° or More is possible.

### GUIDELINES FOR MATCHING TOW VEHICLE AND TRAILER

#### II. Bumper Clearance

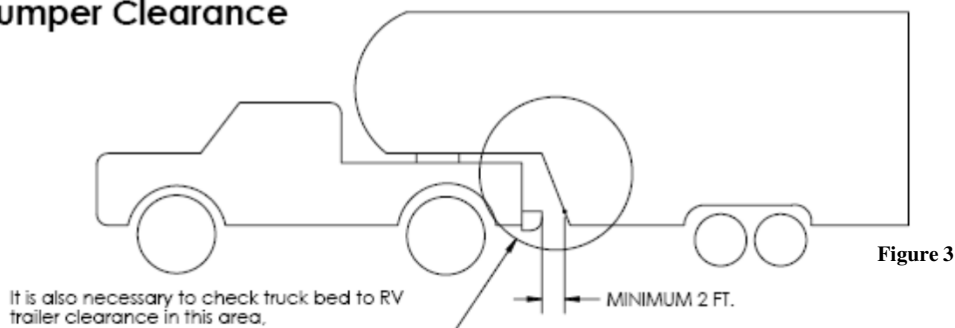


Figure 3

CAUTION: A minimum clearance between the bumper and trailer (Measured at the same height) of 2 ft. is recommended. Due to Vehicle and RV Trailer variations; it is necessary to check this clearance. If the clearance is less than the minimum, this can be done after installation by making a slow turn, in a controlled driving environment (i.e. closed parking lot, grass field, etc.) with the aid of an observer to watch for interference.

1. The Height of the hitch and pin box should be adjusted so the trailer is approximately level as it is towed. Allow approximately 6 in. clearance between the top of the bed and the underside of the front of the trailer for pitch and yaw of the trailer (See Figure 4). For off-road use allow more clearance between pickup walls and trailer.

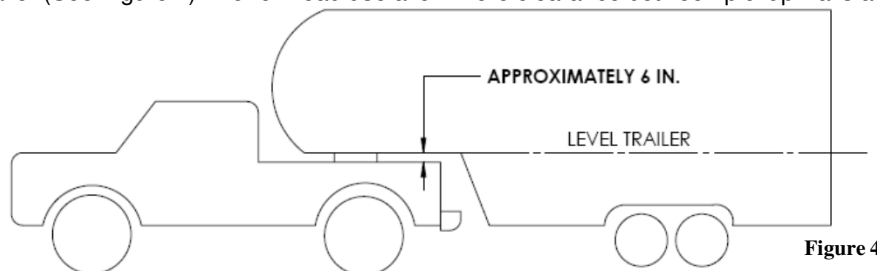


Figure 4

# Operating Instructions

## 16K Reese Revolution

### CAUTION:

The Measurements in figures 2, 3 & 4 are guidelines, If your measurements are close to these numbers, re-check clearances. If vehicle and/or trailer has any added bed vanity accessories (i.e. fairings, air dams, ground effects, bed rails, etc.) additional dimensioning and clearance checks have to be made. CPP is not responsible for damage incurred due to disregarding these clearance checks.

### WARNING:

Check Compatibility of Your 5<sup>th</sup> Wheel Hitch With The Revolution.  
For Reese Compatibility Information Visit our Website at: [www.reeseprod.com](http://www.reeseprod.com)

Refer to the specific product page for the Revolution up to date 5<sup>th</sup> Wheel Hitch Compatibility.  
Or contact Technical Service At: 1-800-632-3290

### WARNING:

**Avoid putting any part of your body under the trailer or between the truck and trailer. Unexpected or accidental movement of the truck or the trailer can cause serious injury or death**

**•If you must place any part of your body under the trailer or between the truck and trailer you MUST perform ALL of the following steps:**

- Check that the truck transmission is in park
- Check that the emergency brake is set
- Block in front of and behind all trailer tires
- Check that the trailer landing gear are resting on firm ground

#### Conventional Transport:

The Revolution Pin-Box is very versatile and can be used as a standard pin box – Conventional Transport. For conventional transport (2) 3/4" GR 5 Bolts and Hardware are installed in the back of the unit (figure 5), on OE applications these come installed from the factory and may or may not have been removed by the dealer. The two bolts prevent rotation and allow use of the pin-box without the wedge installed.

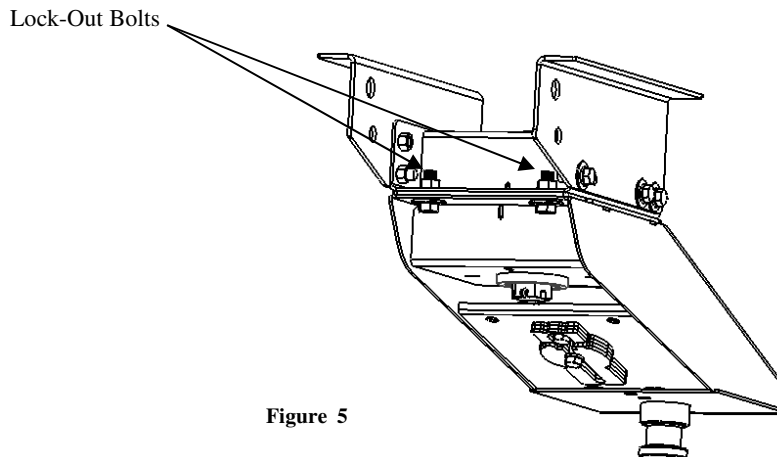


Figure 5

#### Revolution Transport:

Revolution Pin-Boxes equipped with lock-out bolts can be converted to activate the Revolution feature. This feature moves the pivot from the truck bed to the pin-box mounting wings under the nose of the trailer and allows worry free towing up to 90° or more.

# Operating Instructions

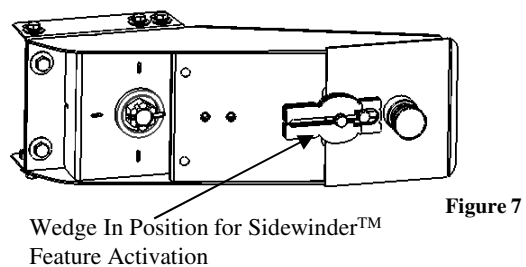
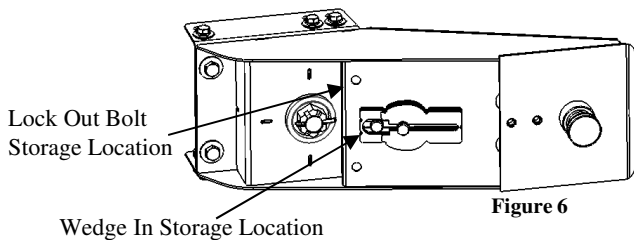
## 16K Reese Revolution

**⚠ DANGER:** Do Not install a wedge without removing the Lock-Out Bolts. Never operate without a wedge if the Lock-Out bolts are not installed. Doing this will create a double pivot and could result in death or serious injury and/or damage to the tow vehicle and trailer.

### Activating the Revolution Feature:

1. Remove (2) 3/4" Lock-Out bolts and hardware from the rear of the pin-box (figure 5). You can store them in the holes pointed to. (figure 6)
2. Remove the universal wedge from it's storage location by removing (2) 5/8-11 X 1 3/4" bolts and lock washers.

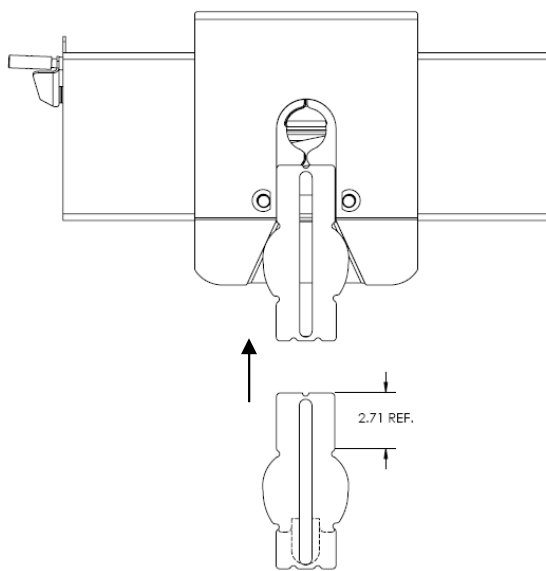
*Note: The universal wedge is supplied with the unit and provides a lockout for many different fifth wheel hitches. Cequent Performance Products offers custom wedges designed for specific fifth wheel hitches, check with your RV dealer or call CPP customer service at 1-888-521-0510 to see if we offer a custom wedge for your hitch application for purchase. If a custom wedge is available for your hitch application, CPP recommends replacing the universal wedge with a custom wedge to provide the best fit for your hitch. The universal wedge should remain with the unit as it may be necessary if breakdown occurs to fit a tow vehicle other than your own.*



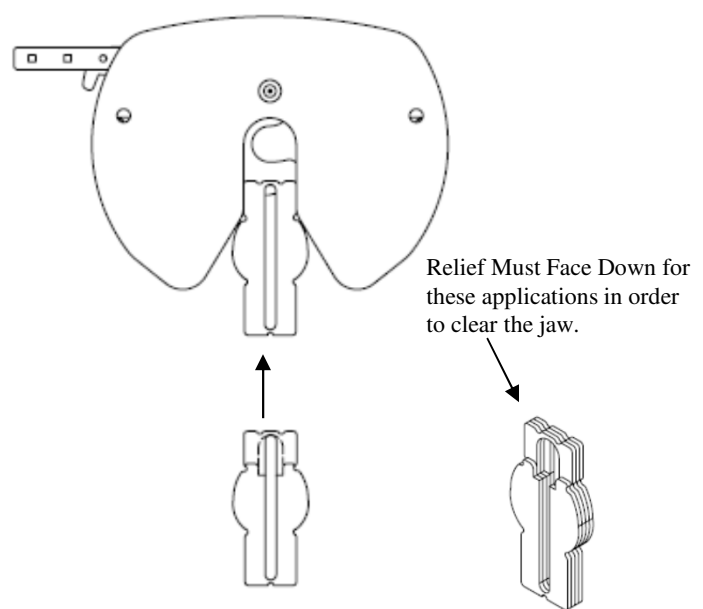
### Universal Wedge Orientation: (Visit: <https://www.youtube.com/watch?v=icuiAOGtJnc> for more info)

Before installing the universal wedge in position it is necessary to decide the best orientation for your hitch application. This can be done by referencing the diagrams below.

#### Orientation for Reese/Draw-Tite/Hidden Hitch Select Series, Pro Series, Husky & similar style fifth wheel heads.



#### Orientation for Reese/Draw-Tite/Hidden Hitch Signature Series & Select Plus, Reese Titan 16K & 20K, B&W and similar style fifth wheels.

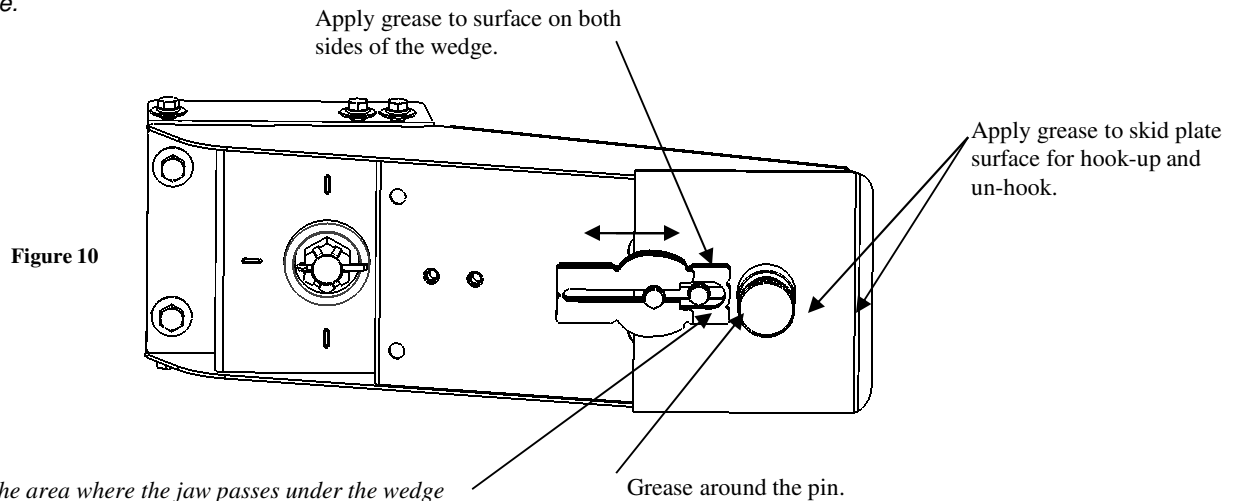


# Operating Instructions

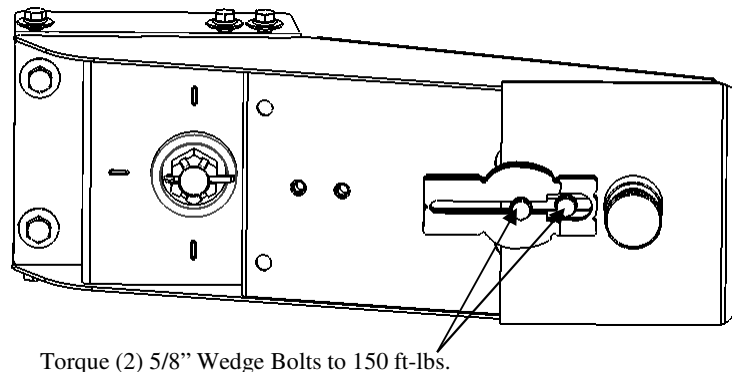
## 16K Reese Revolution

### Activating the Revolution Feature Con't:

3. Install the universal wedge into the position for Revolution feature activation (figure 7) , in the proper orientation for your fifth wheel. The bolts will not be fully tightened at this time. (figure 10) Only tighten the (2) 5/8-11 X 1 3/4" wedge bolts until the lock washers begin to engage. The wedge should be allowed to slide with the rap of a hammer or mallet.
4. Apply grease to the surface on both sides of the wedge, the back side of the pin, and the skid plate surface as shown in figure 10. *\*For all Fifth Wheel Heads, lubricate the area where the jaw passes under the wedge.*



5. Hook-up to the fifth wheel trailer following the hook-up procedure in this manual, for proper latching of the fifth wheel hitch refer to the owners manual for your fifth wheel hitch.
6. With the trailer wheels still firmly blocked, landing gear still resting firm on the ground and supporting the trailer weight, and truck stationary and in park with the emergency brake on: Tap the wedge firmly forward until it will no longer travel. Look to see that the wedge is contacting both side of the funnel area of the hitch. If not is may be necessary to pull trailer forward slightly with the trailer brakes applied to straighten truck hitch and pin box.
7. Attempt to tighten both wedge bolts. Both bolts may not be accessible while the unit is hitched, in these cases tighten the most accessible bolt (usually the rear); these bolts will later be tightened to the proper torque value.
8. Unhook the trailer from the tow vehicle following the unhooking procedure in this manual.
9. Torque (2) 5/8" Wedge Bolts to 150 ft-lbs (figure 11). A thin walled socket may be necessary.
10. The wedge adjustment is a one time adjustment for your fifth wheel hitch. If a different fifth wheel hitch is used after this adjustment, it is necessary to readjust the wedge for the specific fifth wheel hitch.



# Operating Instructions

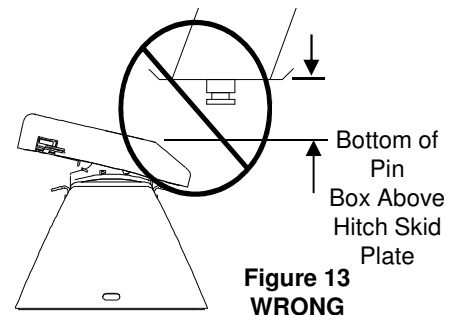
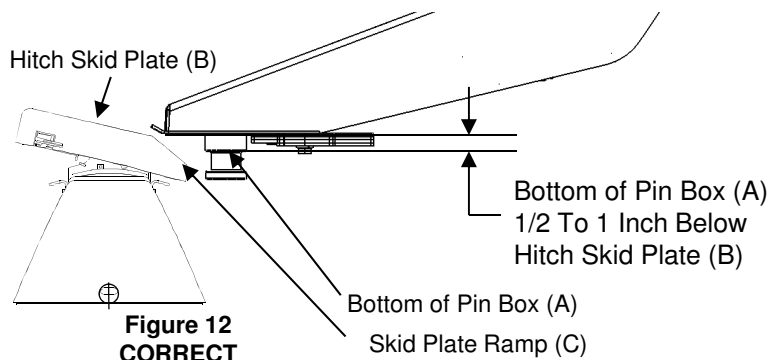
## 16K Reese Revolution

### HOOK-UP PROCEDURE:

**IMPORTANT: YOU ARE RESPONSIBLE FOR SAFE HITCHING AND UNHITCHING OPERATIONS. DO NOT RELY ON OTHERS TO PERFORM THESE DUTIES. YOU MUST PERSONALLY MAKE SURE THE FOLLOWING STEPS ARE PERFORMED IN THE FOLLOWING ORDER!**

**⚠ WARNING:**  
**FAILURE TO FOLLOW THESE INSTRUCTIONS MAY RESULT IN DEATH OR SERIOUS INJURY.**

1. Place blocks (sometimes called "chocks") firmly against front and rear of each trailer wheel to prevent any possible forward or rearward motion. DO NOT REMOVE BLOCKS UNTIL EACH OF THE FOLLOWING STEPS AND THE PULL TEST HAVE BEEN COMPLETED. Lower tailgate if necessary. Clearance of the lowered tailgate to the trailer needs to be monitored during hookups as some manufacturer combinations of truck and trailer have little or no clearance.
2. Using trailer jacks, adjust trailer height following the directions in the trailer manual so that bottom of trailer pin box ("A" in Figure 12) is ½ to 1 inch below skid plate (See "B" in Figure 12). During the hitching maneuver, the bottom of the trailer pin box should come in contact with skid plate ramp ("C" in Figure 12).



**⚠ WARNING:**

Failure to follow this instruction may result in king pin being too high and coming to rest on top of closed jaws or not completely inside jaw. This could result in trailer separating from hitch. Trailer separation may result in death or serious injury if anyone is under the trailer or between truck and trailer when separation occurs.

3. Follow your hitch manufactures instructions for safe hook-up.

### PULL TEST

**⚠ WARNING:**

Failure to perform pull test may result in death or serious injury

1. With all trailer wheels still firmly blocked, and
2. Trailer landing gear still resting on firm ground and supporting trailer weight and,
3. Truck stationary and with emergency brake on:
4. Make sure no one is between truck and trailer, Return to cab of truck and release truck's emergency brake. Apply trailer brakes. Try to pull trailer slowly forward with the truck. If the trailer is properly hitched, the wheel blocks and trailer brakes should keep the truck from moving forward.

**NOTE:** If trailer is not properly hitched, trailer will separate from hitch and truck will move forward leaving trailer behind. If you followed all previous steps, the trailer will not drop or fall.

**⚠ WARNING:**

Failure to keep wheels blocked and landing gear down could result in trailer suddenly moving or falling. This could result in death or serious injury!

5. After successfully performing above steps, fully raise trailer landing gear (see trailer manual).
6. Check and inspect all electrical circuits for proper operation. (Clearance lights, turn signals, stop lights, etc.).
7. Remove and store all trailer wheel blocks.

# Operating Instructions

## 16K Reese Revolution

### UNHOOKING PROCEDURE

#### PERFORM THE FOLLOWING IN THIS ORDER:

1. Make sure truck is in park with emergency brake on.
2. Place blocks firmly against front and rear of each trailer wheel to prevent any possible forward or rearward motion.
3. Using trailer jacks, lower trailer landing gear following the directions in the Trailer Manual until feet of landing gear are resting on firm ground.

 **WARNING:**

Trailers that are not stable or properly hitched can fall and cause death or serious injury!  
To avoid death or serious injury:

- All trailer tires MUST be blocked in front and behind each tire **AND**
- Trailer landing gear MUST be resting on firm ground **AND**
- Truck MUST be stationary, in park, with emergency brake on!

4. Lower truck tail gate.
5. Disconnect power cable and breakaway switch cable between truck and trailer.
6. Remove bail pin from hole in handle.
7. Pull hitch handle out completely until it latches in open position so that king pin is no longer securely grasped by hitch jaws. Trailer is now free from hitch and truck. If handle does not pull out, there is probably pressure against the jaw. To relieve this pressure, back the truck slightly. Reset truck emergency brake. Then pull hitch handle out completely until it latches in open position.
8. AFTER MAKING CERTAIN NO ONE IS STANDING BETWEEN TRUCK AND TRAILER OR IN FRONT OF TRUCK, drive truck slowly away from trailer.

 **WARNING**

Whenever possible, avoid putting body under trailer or between truck and trailer  
If you need to place any part of our body under trailer or between truck and trailer:

- All trailer tires MUST be blocked in front and behind each tire **AND**
- Trailer landing gear MUST be resting on firm ground **AND**
- Truck MUST be stationary, in park, with emergency brake on!

9. KEEP WHEEL BLOCKS IN PLACE. This will keep trailer from moving unexpectedly

#### NOTES:

---

---

---

---

---

---

---

---

---

---

Part Number Purchased:  
Place of Purchase:  
Date of Purchase:  
Part Manufactured Date (located on driver-side sticker):



## 16K Reese Revolution

### **BEFORE EACH TRIP:**

1. **CHECK YOUR EQUIPMENT:** Check the condition of all of your towing equipment and keep it in top condition..
2. Check to see that all bolts are properly tightened.
3. Check wedge engagement in the fifth wheel jaw, refer to wedge adjustment portion of this manual.

### **MAINTENANCE:**

1. To help with hookup and for product longevity: frequently lubricate the wedge surfaces, around the king pin, and the skid plate surface, apply a lithium grease to the bearing surfaces as described in the assembly section of this manual. (Note: Resistance is typical in the Sidewinder™ arm)
2. Keep pin-box hitch painted to prevent rust and maintain a good appearance. (Do Not paint over labels)
3. At least once per season, disassemble unit to clean, inspect, lubricate and re-torque fasteners. When reassembling, use lithium grease on the wear plate and bushing. Tighten large nut to a minimum of 80 ft. lbs. and then tighten to the nearest thru hole for cotter pin installation.

### **LIMITED LIFETIME WARRANTY**

- 1. Limited Lifetime Warranty (“Warranty”).** Cequent Performance Products, Inc. (“We” or “Us”) warrants to the original consumer purchaser only (“You”) that the product will be free from material defects in both material and workmanship for a period of lifetime of ownership, ordinary wear and tear excepted; provided that installation and use of the product is in accordance with product instructions. There are no other warranties, express or implied, including the warranty of merchantability or fitness for a particular purpose. This warranty is not transferable.
- 2. Limitations on the Warranty.** This Warranty does not cover: (a) normal wear and tear; (b) damage through abuse, neglect, misuse, or as a result of any accident or in any other manner; (c) damage from misapplication, overloading, or improper installation; (d) improper maintenance and repair; and (e) product alteration in any manner by anyone other than Us, with the sole exception of alterations made pursuant to product instructions and in a workmanlike manner.
- 3. Obligations of Purchaser.** To make a Warranty claim, contact Us at 47912 Halyard Drive Suite 100, Plymouth, MI, 48170, 1-800-632-3290, identify the product by model number, and follow the claim instructions that will be provided. Any returned product that is replaced by Us becomes our property. You will be responsible for return shipping costs. Please retain your purchase receipt to verify date of purchase and that You are the original consumer purchaser. The product and the purchase receipt must be provided to Us in order to process Your warranty claim.
- 4. Remedy Limits.** Product replacement is Your sole remedy under this Warranty. We shall not be liable for service or labor charges incurred in removing or replacing a product or any incidental or consequential damages of any kind.
- 5. Assumption of Risk.** You acknowledge and agree that any use of the product for any purpose other than the specified use(s) stated in the product instructions is at Your own risk.
- 6. Governing Law.** This Warranty gives You specific legal rights, and You also may have other rights which vary from state to state. This Warranty is governed by the laws of the State of Michigan, without regard to rules pertaining to conflicts of law. The state courts located in Oakland County, Michigan shall have exclusive jurisdiction for any disputes relating to this Warranty.

Cequent Performance Products  
47912 Halyard Drive Suite 100  
Plymouth, MI 48170

# REESE®

PIONEERING PERFORMANCE

CONNECTING YOU WITH YOUR LIFE



## Heavy Duty Towing Solutions

Reese products have been engineered and developed by industry veterans to offer superior performance and durability.

*That's reliability you can count on.*

### RV Towing Solution

#### ELITE™ FIFTH WHEEL HITCH

- Utilizes custom under-bed rail kits with quarter turn quick-locking system
- Wider 9" (vs. 6") king pin funnel on stamped rounded head for easier connection
- Strong, high capacity forged single jaw design
- 26.5K, 25K and 18K model available

### Short Bed Solution

#### ELITE AIRBORNE/SIDEWINDER™

- Premium pin box designed specifically for short bed pickups
- Eliminates turning and clearance issues
- Delivers smooth ride that overcomes both vertical shock and longitudinal chocking
- Relieves stress on your tow vehicle, trailer, and trailer contents

### Clean Bed Solution

#### GOOSE BOX™

- Step up to RV comfort and keep your gooseneck hitch
- Take the heavy equipment out of the truck bed
- Replaces a traditional pin box so the RV works with the truck's gooseneck hitch
- Includes Reese® 5th Airborne™ technology for a superb ride

[www.reeseproducts.com](http://www.reeseproducts.com)

**OVER 60 YEARS OF INNOVATION, ROAD-TESTED BY AMERICA.**