

# INSTALLATION MANUAL

# 70137

## Level of Difficulty

Moderate

Installation difficulty levels are based on time and effort involved and may vary depending on the installer level of expertise, condition of the vehicle and proper tools and equipment.

## Installed Attachment Tabs

Height	24-1/2"
Width	34-1/2"

## Parts List

Item	Qty	Description
1	1	Tow bar base plate, driver side
2	1	Tow bar base plate, passenger side
3	2	Tow bar mounting tab
4	2	Safety cable, 7,500 lbs.
5	2	Safety chain plate
6	14	Hex head cap screw, 5/8"-11, 1-3/4", grade 8
7	14	Flat washer, 5/8"
8	14	Serrated-flange nut, 5/8"-11, grade 8
9	4	Hex head cap screw, 1/2"-13, 2", grade 8
10	4	Serrated-flange nut, 1/2"-13, grade 8
11	2	Caplugs
12	2	Quick link, 1/2"

## Tools Required

Socket, 15mm	Torque Wrench
Socket, 18mm	Drill
Socket, 7/16"	Drill Bit, 11/16"
Wrench, 7/16"	Utility Knife
Wrench, 3/4"	Tape Measure

## ⚠ WARNING

Never exceed the vehicle manufacturer's recommended towing capacity.

## Product Photo



## NOTICE

Visit [www.curtmfg.com](http://www.curtmfg.com) for a full-color copy of this instruction manual, as well as helpful videos, guides and much more!

Before you begin installation, read all instructions thoroughly.

Proper tools will improve the quality of installation and reduce the time required.

This installation requires:

- Temporary removal of bumper and tow hooks
- Fishwiring
- Trimming

To help prevent damage to the product or vehicle, refer to the specified torque specifications when securing hardware during the installation process.

If equipped, we recommend removing the base plate attachment tabs when not in use.

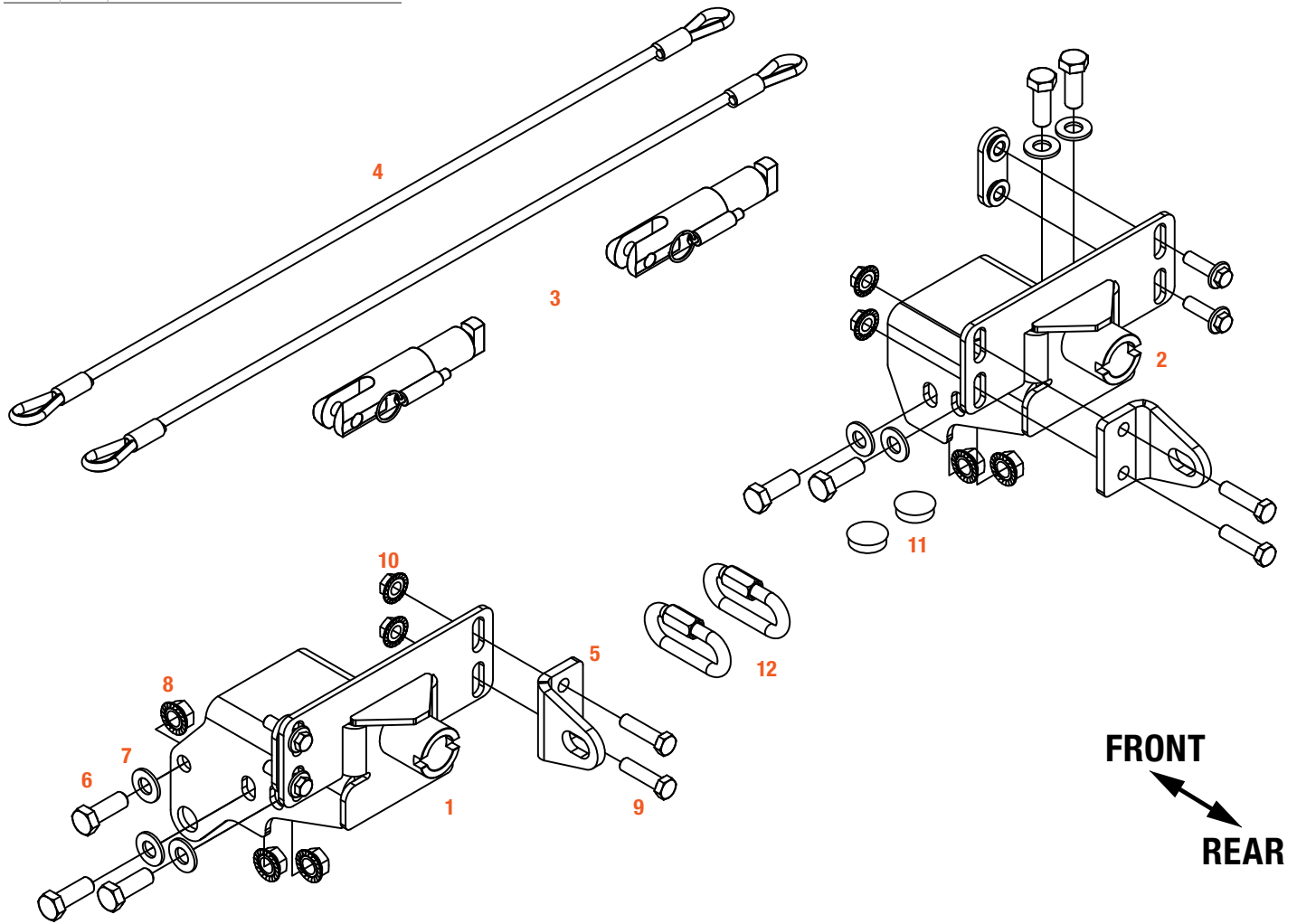
## Product Registration and Warranty

CURT stands behind our products with industry-leading warranties. To get copies of the product warranties, register your purchase or provide feedback, visit: [warranty.curtgroup.com/surveys](http://warranty.curtgroup.com/surveys)

# ASSEMBLY

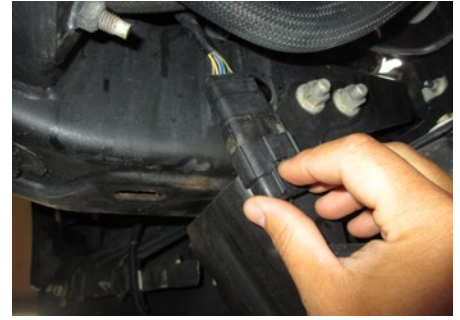
## Parts List

Item	Qty	Description
1	1	Tow bar base plate, driver side
2	1	Tow bar base plate, passenger side
3	2	Tow bar mounting tab
4	2	Safety cable, 7,500 lbs.
5	2	Safety chain plate
6	14	Hex head cap screw, 5/8"-11, 1-3/4", grade 8
7	14	Flat washer, 5/8"
8	14	Serrated-flange nut, 5/8"-11, grade 8
9	4	Hex head cap screw, 1/2"-13, 2", grade 8
10	4	Serrated-flange nut, 1/2"-13, grade 8
11	2	Caplugs
12	2	Quick link, 1/2"



### Step 1

From under the vehicle, behind the bumper, unplug the wiring connector for the bumper harness.



### Step 2

From behind the bumper, use a 15mm socket to remove the two bolts by the headlights on both sides of the vehicle.



### Step 3

Remove the two clips from the tow hook trim panel on each side. Repeat on the other side of the vehicle.

#### Models with adaptive cruise control (ACC):

- a. Use a 10mm socket to remove the two bolts from the cover of the ACC on the driver side of the vehicle.
- b. Remove three bolts mounting the ACC using an 11mm socket. Unplug and set aside to be reinstalled later.



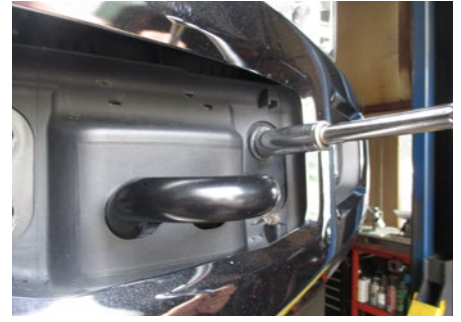
### Step 4

On the passenger side, pass the engine heater plug through the backside of the bumper and let hang out the front. Unclip it from the plastic mount on the bumper as well.



### Step 5

Remove the four bolts around the tow hook using an 18mm socket on both tow hooks. Pull the bumper forward and set aside for later.



### Step 6

Use an 18mm socket to remove the four bolts from the bottom of each tow hook.



### Step 7

Remove the two bolts from each side of the bracket by the tow hook using an 18mm socket on both sides of the vehicle.



### Step 8

Before installing the baseplate (#1, #2), use a 11/16" drill bit to enlarge the forward-most two holes in the frame on both sides of the vehicle.





### Step 9

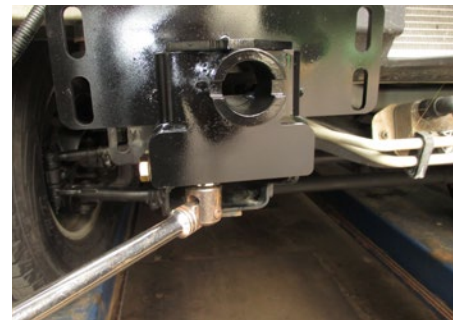
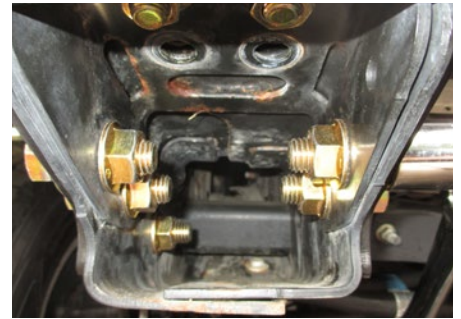
Slide the baseplate (#1, #2) on top of the frame and align with the existing front tow hook holes. Install two of the 5/8" x 1-3/4" hex head cap screws (#6) and washers into the holes previously enlarged. Secure with 5/8" serrated flange nuts (#8).



### Step 10

Install the remaining 5/8" x 1-3/4" hex head cap screws (#6), flat washers (#7) and serrated flange nuts (#8) into the 3 inward holes on the frame and 2 outward holes as shown.

Torque all 5/8" hardware to 180 lb-ft.



### Step 11

Use a utility knife to trim the marked areas on both of the tow hook panels to allow the baseplate to fit through the holes.



### Step 12

Install the permanent safety cables (#4), looping them around the vehicle frame and linking them to the tow bar base plate (#1, #2). There must be one cable on each side of the vehicle.

Make sure the cables do not pinch or interfere with any hoses, wiring or other components (see Installing the Permanent Base Plate Safety Cables for additional information).



### Step 13

Reinstall the bumper with the existing two bolts into the inner holes on both sides of the vehicle and connect the wiring harness.

Reinstall the fasteners removed in step 2.



### Step 14

Insert two 1/2" x 2" hex head cap screws (#9) from the front with a 1/2" serrated flange nut (#10) on the backside to attach the safety chain plate (#5) on both sides of the vehicle.

Torque the 1/2" fasteners to 110 lb-ft.



### Step 15

Reinstall the ACC and cover if equipped. Trim the bolt covers as needed to reinstall around the convenience links.



## Final Installed Image



## TOWING BASICS & SAFETY INFORMATION

For information on safely towing your trailer, visit [curtmfg.com/understanding-towing](https://curtmfg.com/understanding-towing).